

# HLH 700

# PROTEKT®

Universal safety post  
for trapezoidal sheet

NEW



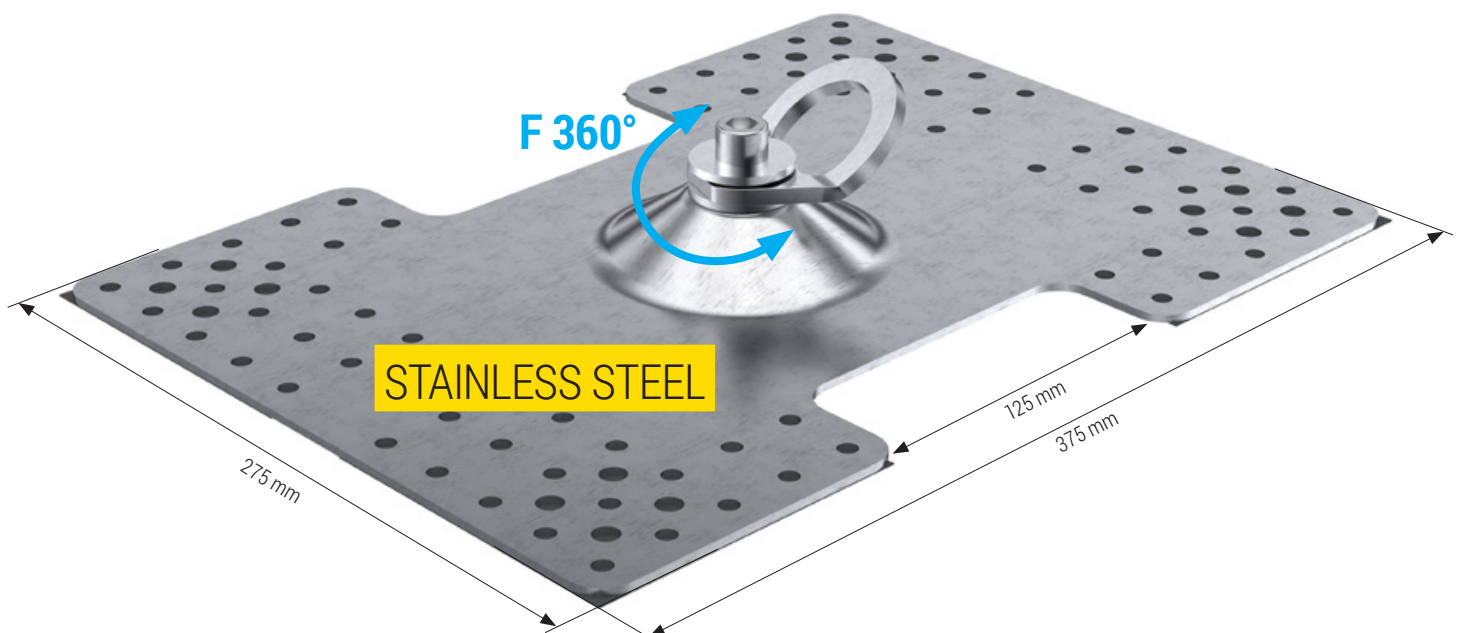
EN795: 2012 type A  
CEN/TS 16415:2013

MIN. STATIC  
TRENGTH

**30 kN**



PROTECTION  
FOR 3 PEOPLE



**PROTEKT®**

OFFICE - Skromna 6, 93-405 Lodz, POLAND / CORRESPONDENCE ADDRESS - PROTEKT, Starorudzka 9, 93-403 Lodz, POLAND  
SALES DEPARTMENT Phone +48 42 29-29-500, export@protekt.com.pl, fax +48 42 680-20-93  
WAREHOUSE - Gombrowicza 6, 93-405 Lodz, POLAND

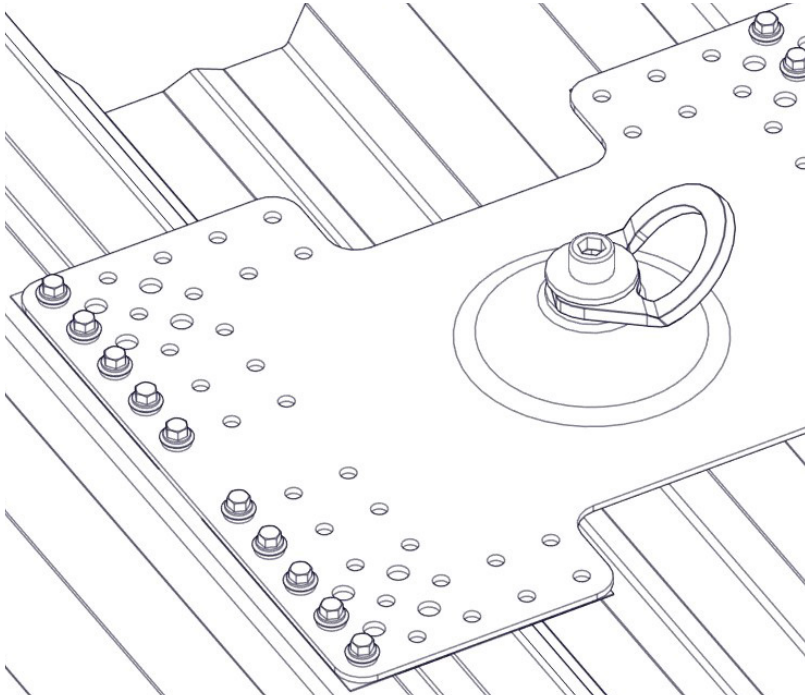
WWW.PROTEKT.UK



# Assembly kits **HLH 700**

REF. NO.: HLH 700 101

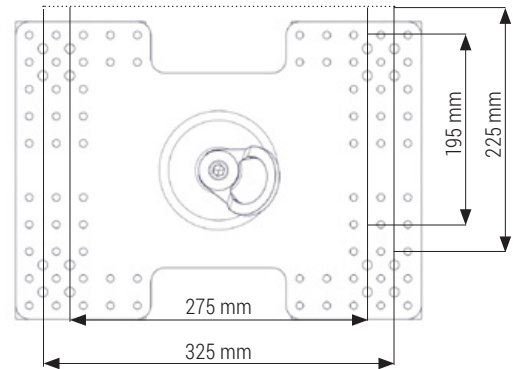
FOR SHEET THICKER THAN 0,63 mm



### SET CONTAINS:

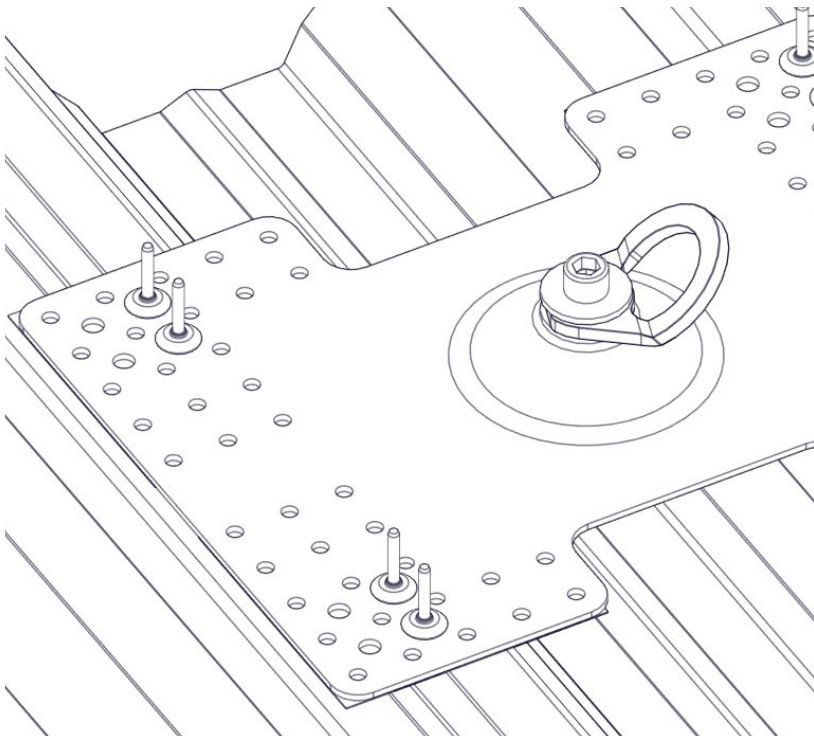
- x20** Screw with seal 5,5x25 mm
- x1** Rotating anchor point
- x1** Post top plate

### MOUNTING HOLES SPACING:



REF. NO.: HLH 700 102

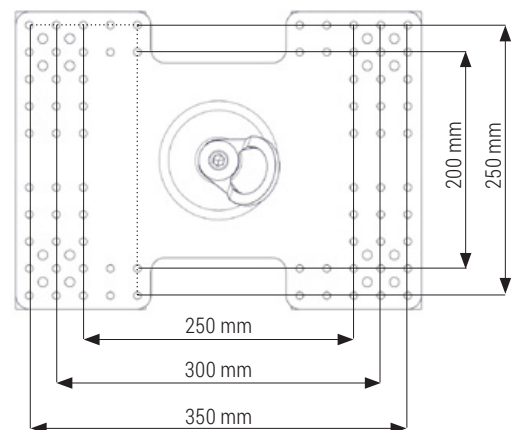
FOR SHEET THICKER THAN 0,5 mm



### SET CONTAINS:

- x8** Tight blind rivet 7 mm
- x1** Rotating anchor point
- x1** Post top plate

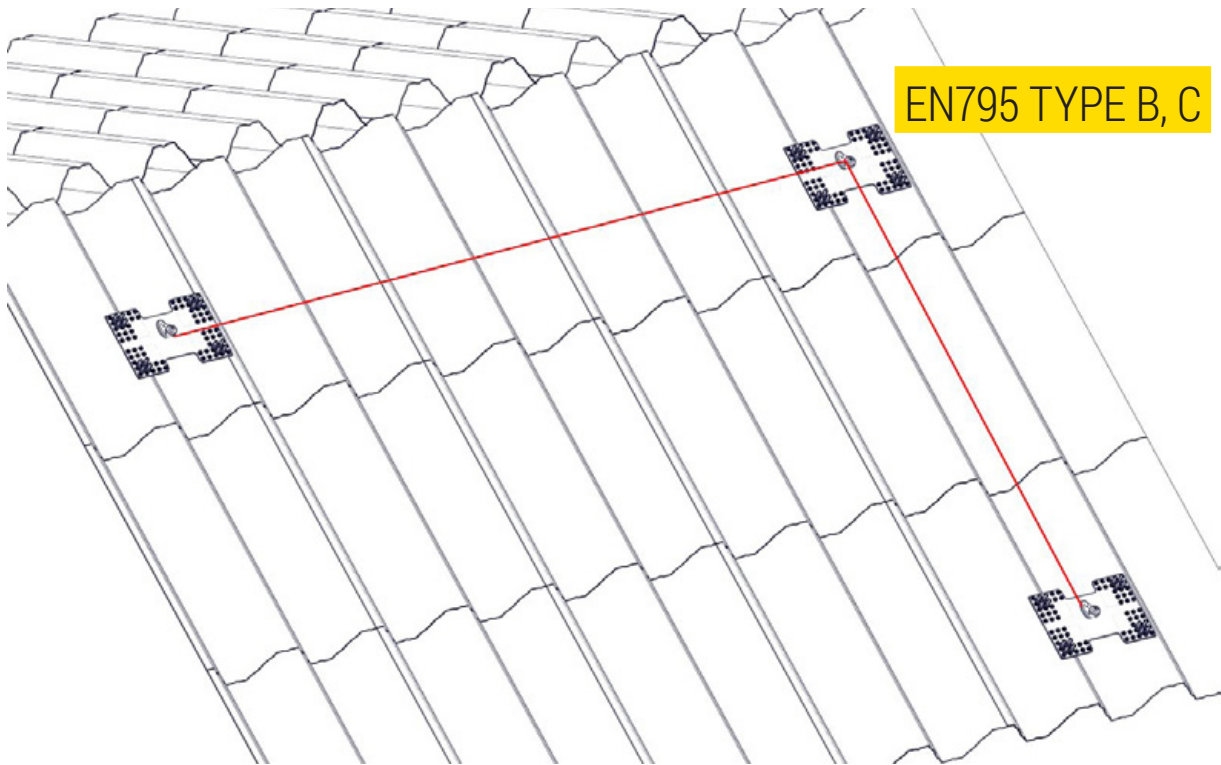
### MOUNTING HOLES SPACING:



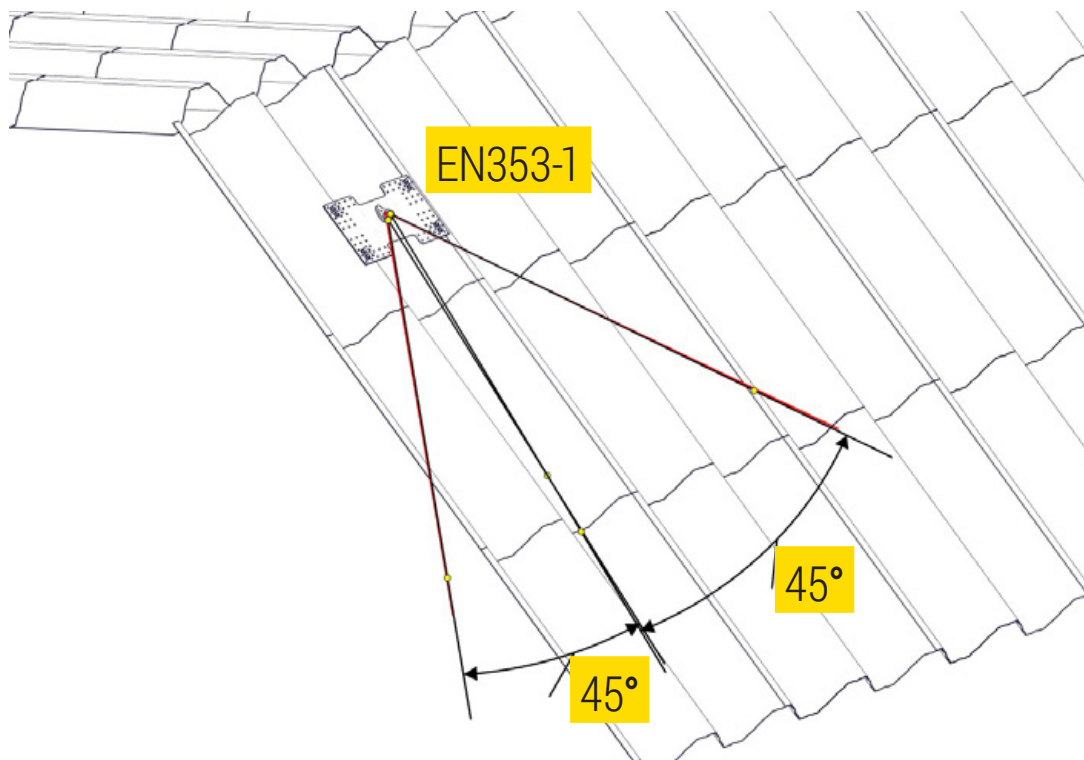


# Application of the system **HLH 700**

## AN EXAMPLE OF INSTALLING TEMPORARY SAFETY SYSTEMS

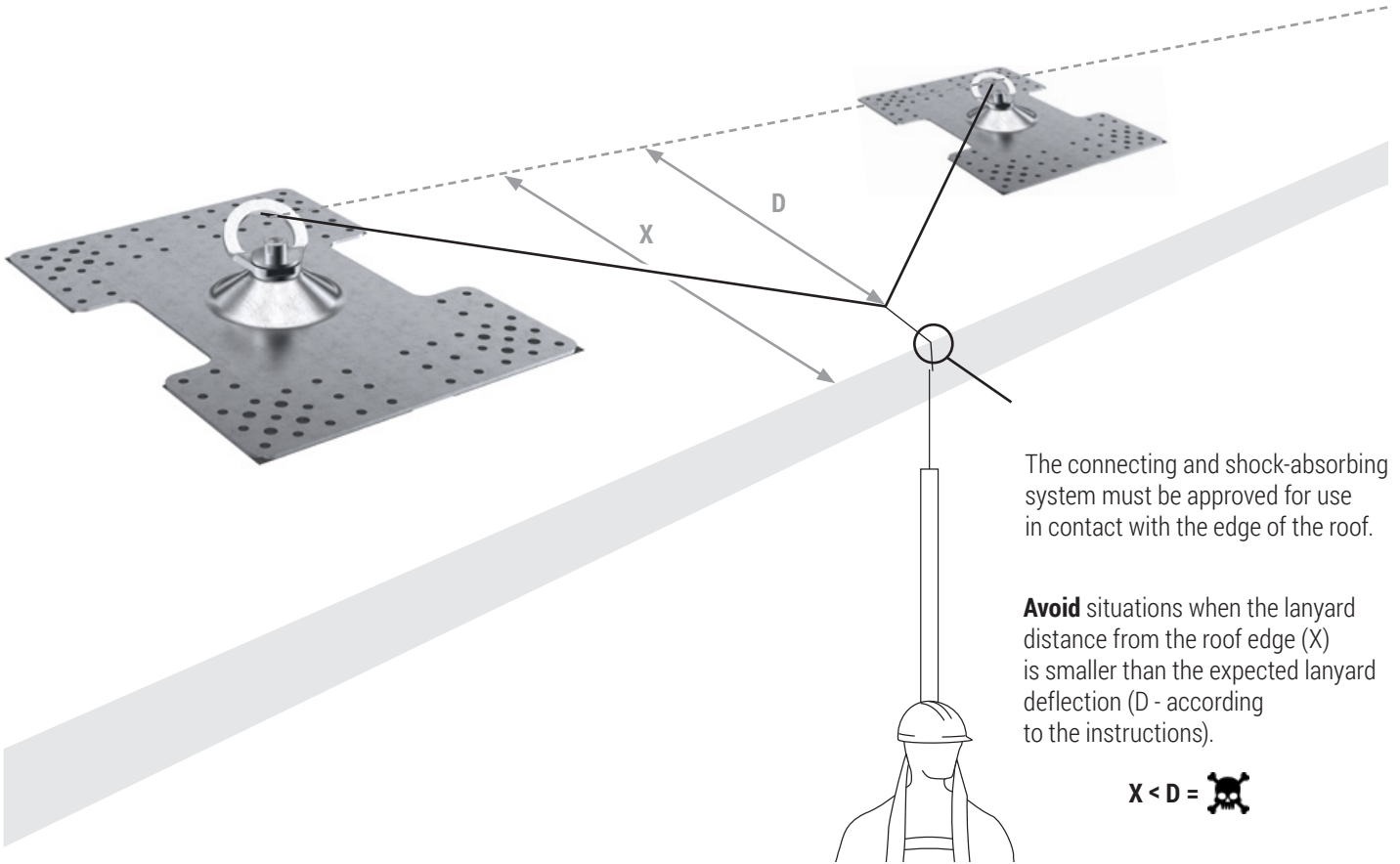


## ASSEMBLING THE POINT TO WORK POSITIONING





# AN EXAMPLE OF COOPERATION WITH HORIZONTAL ANCHORING SYSTEMS **AE320/AE321**



**AE 320** 10/20/30 m



Material:

stainless steel

Dimensions:

375 x 275 mm

**AE 321** 10/20/30 m



+ x20 Screw with seal  
5,5x25 mm



for sheet thicker  
than 0,63 mm

**HLH 700 101**



+ x8 Tight blind rivet  
7 mm



for sheet thicker  
than 0,5 mm

**HLH 700 102**