

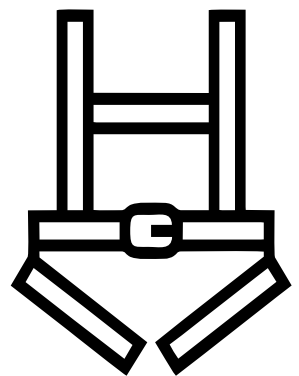
PROTEKT®

MANUFACTURER OF FALL PROTECTION EQUIPMENT

PERSONAL PROTECTIVE EQUIPMENT



Fall protection kits
Full body harnesses, protective clothing
Energy absorbers and lanyards
Guided type and retractable type fall arresters
Connectors
Industrial safety helmets, eye and hearing protection
Ropes
Rope edge guards and rope sleeves
Working rope installation equipment
Work positioning belts and devices
Pole climbers and tree climbing spikes
Anchor points and devices
Ladders, scaffolds and platforms
Lifting and descending devices
Ground tents, screens and safety barriers
Additional accessories



2022/23



WWW.PROTEKT.COM.PL

PROTEKT[®]

PROTECT YOUR **LIFE**
USE **IMAGINATION**



HEADQUARTERS

OFFICE

ul. Witolda Gombrowicza 8
93-403 Łódź
Poland

Phone. +48 42 29 29 500
info@protekt.com.pl
Phone. +48 42 680-20-83
fax +48 42 680-20-93

GPS coordinates:

51.71280369999999
19.43326209999998

WAREHOUSE

ul. Witolda Gombrowicza 6
93-403 Łódź
Poland

Correspondence Address

Protekt
ul. Starorudzka 9
93-403 Łódź
Poland

SALES DEPARTMENT

export@protekt.com.pl

Aleksandra Reszka

Phone. +48 42 29 29 503
ola@protekt.com.pl

Monika Tychaczka

Phone. +48 42 29 29 506
monikat@protekt.com.pl

Anna Bracichowicz

Phone. +48 42 29 29 542
anna@protekt.com.pl

Karolina Rojek

Phone. +48 42 29 29 517
karolina.rojek@protekt.com.pl

Joanna Kraska

Phone. +48 42 29 29 508
asia@protekt.com.pl

Agata Łukasiewicz

Phone. +48 42 29 29 510
agata@protekt.com.pl



Contents, images and diagrams at this page are for illustrative purposes only. For detailed, up-to-date functional and technical information, please contact the company's office.

This price list is for information purposes only and may not be regarded as an offer to purchase pursuant to Art. 66 §1. of the Civil Code. Protekt reserves the right to change, supplement or remove the information provided herein. All prices given are net prices and do not include 23% VAT.

In case of some product groups, it is possible to order customised devices in configuration other than provided. Custom-modified or custom-made products are not subject to returns.



Devices and systems manufactured by PROTEKT provide work safety under conditions where risk of a fall from height is present.

This equipment is used in many industries for works at heights, depths and in providing rescue services. Our offer includes both components of personal fall protection equipment – full body harnesses, energy absorbers, lanyards, and permanent anchorage systems.

At PROTEKT we pay special attention to comfort of use and reliability in functioning of our devices, making efforts to meet our customers' still growing needs as best as possible.

All the PROTEKT products are CE-certified.

CERTIFICATION

PROTEKT personal fall protection equipment have Certificates of Type Examination carried out by notified bodies.

Moreover, many of products also hold statements of suitability of use in special conditions:

- Explosion-hazard atmospheres: Institute of Industrial Organic Chemistry
- Commission for Work Safety in the Mining Sector
- Ladders, rope ladders: Institute of Mechanised Construction and Rock Mining
- Fire fighting equipment: Scientific and Research Centre for Fire Protection
- Textiles: Textile Research Institute

“Working at a height may expose workers to a high risk of injuries or death following a fall or other serious accident. Accidents related to working at a height constitute to a large part of all accidents during work – particularly fatal accidents. Annually in Poland there occurs about 5,000 accidents resulting from fall from a height, in which 150 people suffer fatalities or serious injuries.”

(Source: Central Statistical Office of Poland – data as for 2005)

“Working at a height may expose workers to a high risk of injuries or death following a fall or other serious accident. Accidents related to working at a height constitute to a large part of all accidents during work – particularly fatal accidents. Annually in Poland there occurs about 5,000 accidents resulting from fall from a height, in which 150 people suffer fatalities or serious injuries.”

WORK ORGANIZATION

If possible, work should be organized so that all employees are not exposed to falls from the height. However, if risk of a fall cannot be totally eliminated, in order to provide the best possible working conditions it is required to choose proper protection method and necessary protection equipment. Then as a rule, priority should be given to the collective protection equipment (balustrades, safety nets) over the individual.

EQUIPMENT PREPARATION

In order to make a proper selection of equipment the character of the work should be taken into consideration. When selecting and using proper fall protection equipment specialist training and medical examination should be provided. Moreover the employer is obliged to ensure specific organization of works at the height and supervision of the tasks being performed and whether the safety rules in the course of the works are respected. Personal fall protection equipment is subject to periodic inspections carried out by qualified personnel. Periodic inspections do not release users from checking the equipment before each use.

SAFETY STANDARDS

Being defined as Personal Protection Equipment (PPE), the fall protection equipment shall meet the requirements of relevant harmonised European Standards (EN). All fall protection products shall bear CE marking including but not limited to reference European standard number.

EN 353-1	Personal fall protection equipment. Guided type fall arresters including an anchor line. Guided type fall arresters including a rigid anchor line
EN 353-2	Personal protective equipment against falls from a height. Guided type fall arresters including a flexible anchor line
EN 354	Personal fall protection equipment. Lanyards
EN 355	Personal protective equipment against falls from a height. Energy absorbers
EN 358	Personal protective equipment for work positioning and prevention of falls from a height. Belts for work positioning and restraint and work positioning lanyards
EN 360	Personal protective equipment against falls from a height. Retractable type fall arresters
EN 361	Personal protective equipment against falls from a height. Full body harnesses
EN 362	Personal protective equipment against falls from a height. Connectors
EN 363	Personal fall protection equipment. Personal fall protection systems
EN 795-A1	Anchor devices. Anchor points placed on vertical, horizontal or inclined surfaces (devices of this class are not personal protective equipment (PPE))
EN 795-A2	Anchor devices. Anchor points placed on inclined walls (devices of this class are not personal protective equipment (PPE)).
EN 795-B	Anchor devices. Anchor devices with anchor point(s) without the need to fix them into the structure (temporary, transportable anchor devices)
EN 795-C	Anchor devices. Anchor device with a flexible anchor line which deviates from the horizontal by not more than 15° (devices of this class are not personal protective equipment (PPE))
EN 795-D	Anchor devices. Anchor device with a rigid anchor line which deviates from the horizontal by not more than 15° (devices of this class are not personal protective equipment (PPE))
EN 813	Personal fall protection equipment. Sit harnesses
EN 1496	Personal fall protection equipment. Rescue lifting devices
EN 1497	Personal fall protection equipment. Rescue harnesses



1 FALL PROTECTION KITS

Kits for work at heights
Fall protection kits for work on steep roof
Confined descent kits

2 FULL BODY HARNESSES, PROTECTIVE CLOTHING

Full body harness
Heat-resistant full body harness
Hi Vision full body harness
Overalls with full body harness
SOFTSHELL jackets
Harness with vest
Protective vests

3 ENERGY ABSORBERS AND LANYARDS

AW 170 energy absorbers with lanyard
ABM energy absorbers with lanyard
ABM SCF energy absorbers with lanyard for work on scaffolds
Lanyards

4 GUIDED TYPE AND RETRACTABLE TYPE FALL ARRESTERS

Guided type fall arresters
Guards for guided type fall arresters
Roof lanyard
Retractable type fall arresters

5 CONNECTORS

Detachable connectors
Integrated connectors
Screw link connectors

6 INDUSTRIAL SAFETY HELMETS, EYE AND HEARING PROTECTION

Industrial safety helmets
Face shields and ear protectors
Bump caps

7 LINES

Working lines
Work positioning lanyard

8 LINE EDGE GUARDS AND LINE SLEEVES

Line edge guard
Line sleeves

9 WORKING ROPE INSTALLATION EQUIPMENT

Insulating telescopic poles
Heads and working hooks
Cable clamps for cable installers

10 WORK POSITIONING BELTS AND DEVICES

Work positioning belts
Work positioning devices
Work positioning webbing lanyards

11 POLE CLIMBERS AND TREE CLIMBING SPIKES

Pole climbers
Spare parts for pole climbers
Tree climbing spikes
Spare parts for tree climbing spikes

12 ANCHOR POINTS AND DEVICES

Anchor points
Anchor devices
Horizontal anchor lanyards and lines
Webbing slings and portable anchor points
Anchor systems and devices

13 LADDERS, SCAFFOLDS AND PLATFORMS

Rope ladders
Telescopic ladders
Double-sided and combined ladders
Scaffolds
Mobile platforms

14 LIFTING AND DESCENDING DEVICES

Descending devices
Lifting and descending device
Pulleys and pulley blocks

15 GROUND TENTS, SCREENS AND SAFETY BARRIERS

Screens
Ground tents
Safety barriers
Protection netting
Warning signs

16 ADDITIONAL ACCESSORIES

Bosun's chairs
Climbing
Tool lanyards
Tool holders
Cargo bags
Cargo cases and boxes
Covers
Straps for heavy load handling
Line throwing weights
Tree climbing carts
Paints and applicators
Fans

6 EN 397
Section Industrial safety helmet

2 EN 795
CLASS D

10 EN 358
Section Work positioning device

2 EN 361, EN 358
Section Full body harness

3 EN 354, EN 355
Section Energy absorber with lanyard

4 EN 360
Section Guided type fall arrester

12 EN 795 TYP B
Section Webbing sling

12 EN 795 TYP A
Section Anchor point

2 EN 353-1

3 EN 354, EN 355
Section Energy absorber with lanyard

12 EN 795 TYP B
Section Horizontal anchor line

2 EN 361
dział Full body harness

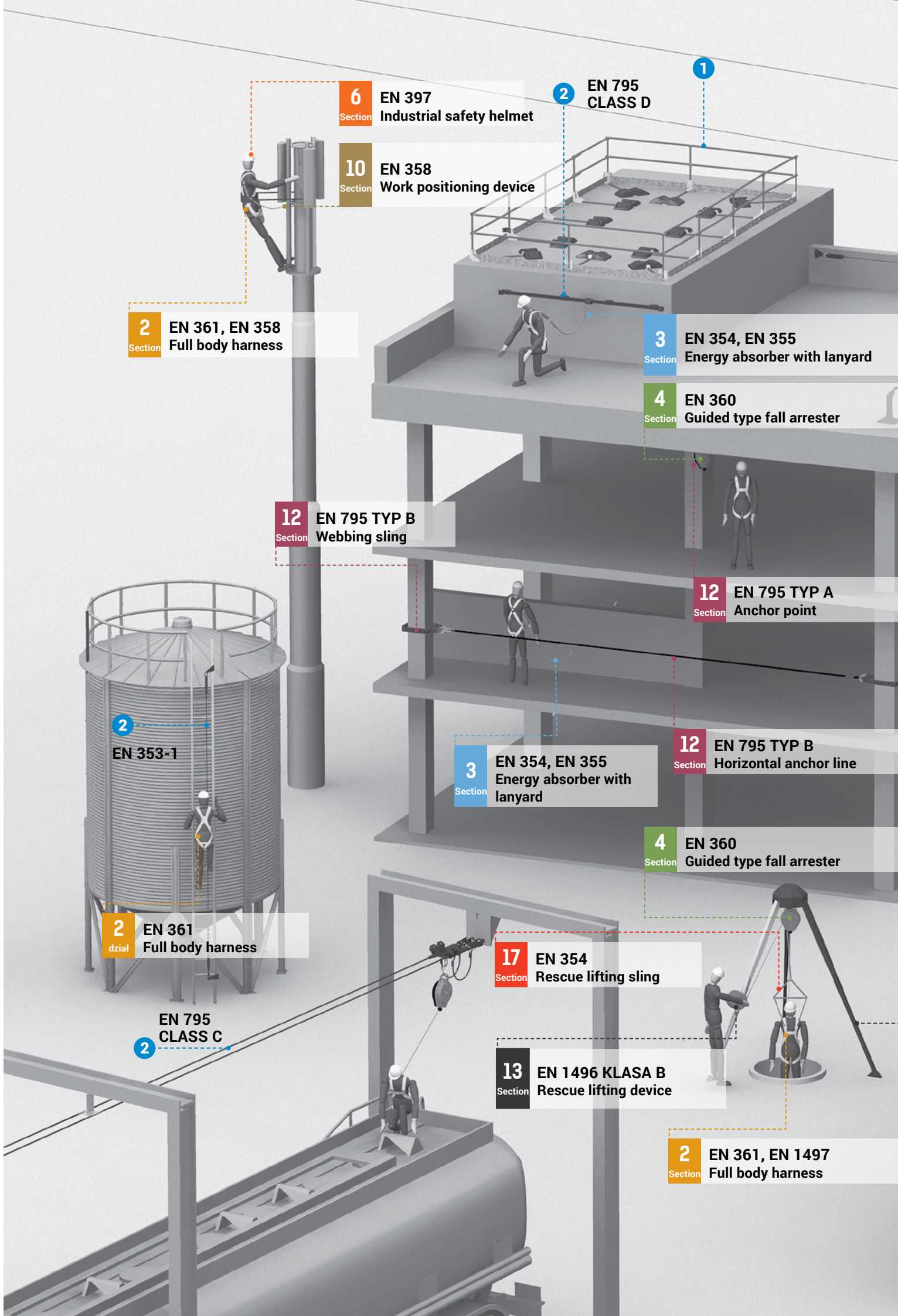
4 EN 360
Section Guided type fall arrester

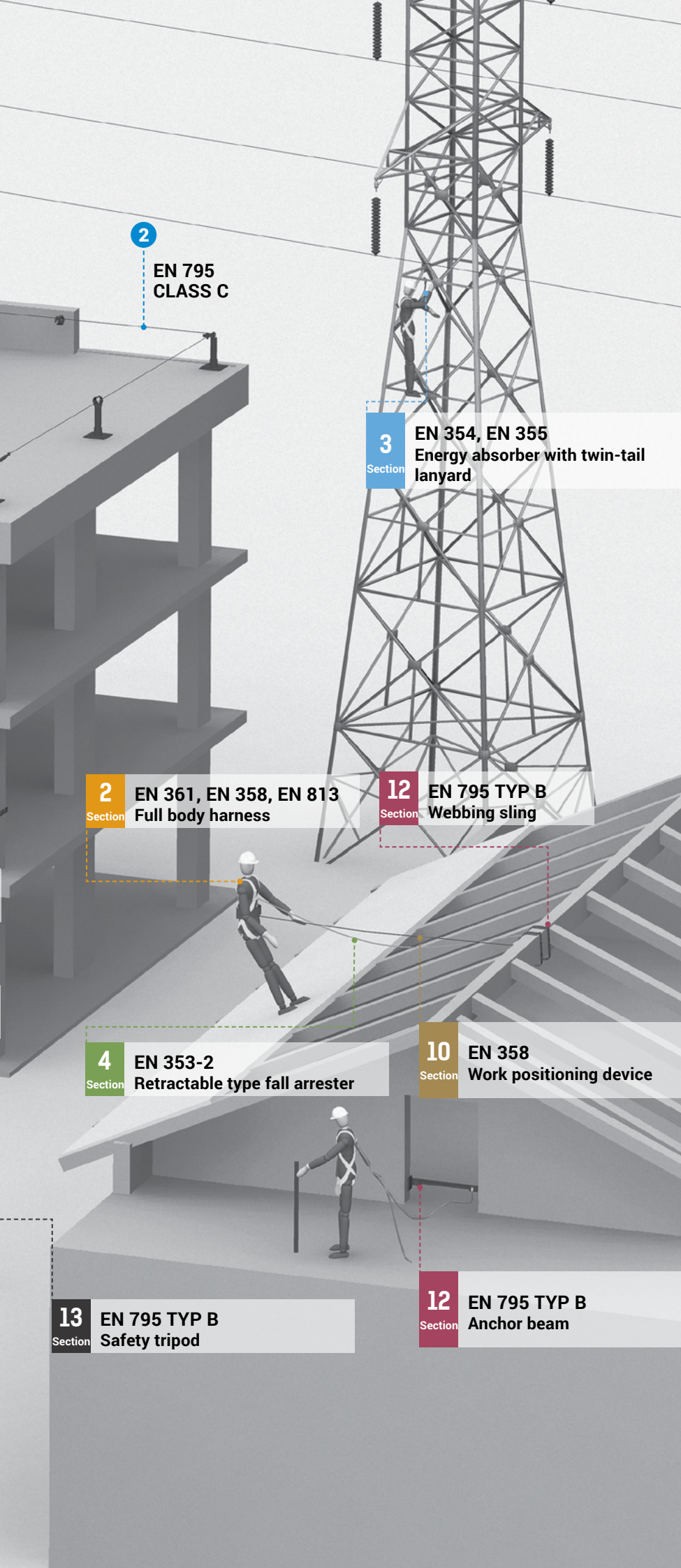
17 EN 354
Section Rescue lifting sling

2 EN 795
CLASS C

13 EN 1496 KLASA B
Section Rescue lifting device

2 EN 361, EN 1497
Section Full body harness





2

EN 795
CLASS C

3

Section

EN 354, EN 355
Energy absorber with twin-tail lanyard

2

Section

EN 361, EN 358, EN 813
Full body harness

12

Section

EN 795 TYP B
Webbing sling

4

Section

EN 353-2
Retractable type fall arrester

10

Section

EN 358
Work positioning device

13

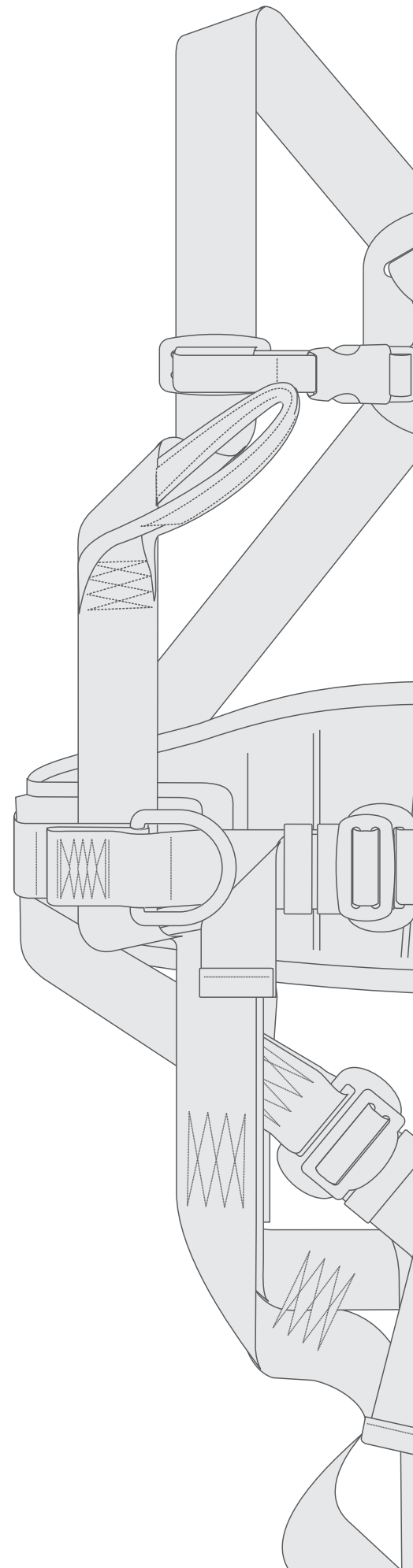
Section

EN 795 TYP B
Safety tripod

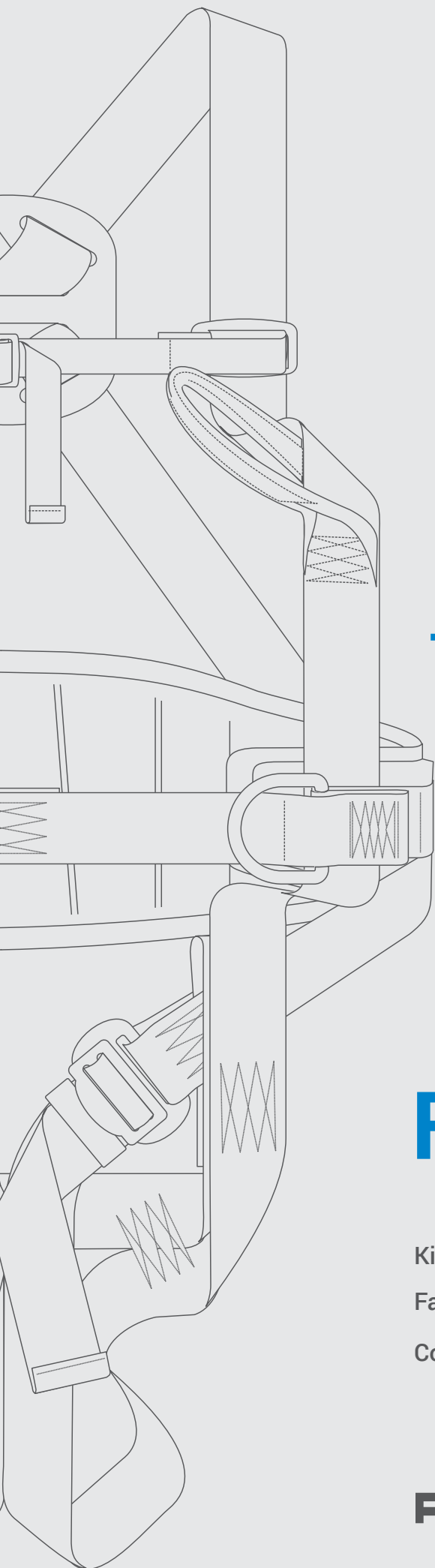
12

Section

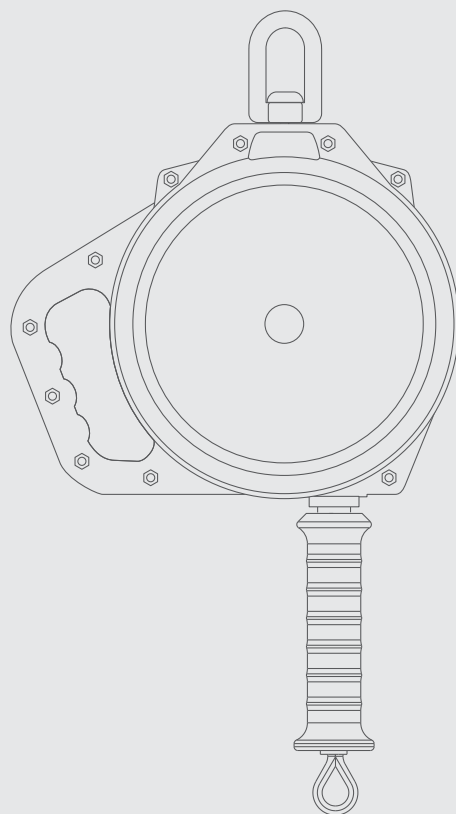
EN 795 TYP B
Anchor beam



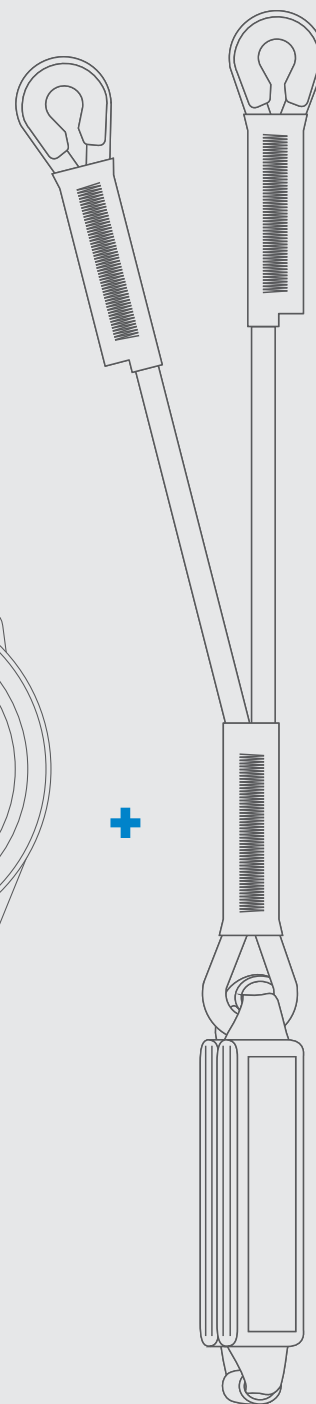




+



+



Fall protection kits

Kits for work at heights

1 - 3

Fall protection kits for work on steep roof

1 - 21

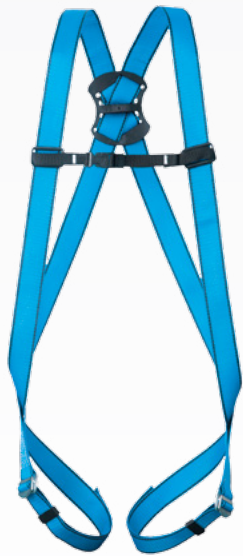
Confined descent kits

1 - 24

PROTEKT[®]



BASIC



P 01
Full body harness



ABM + LB 101
energy absorber ABM with lanyard LB 101, 2m long + 2 x AZ 011

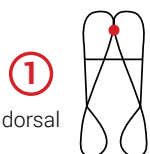


CARGO BAG T2

THE KIT COMPRISES:

- full body harness P 01 with dorsal attachment point, size M-XL or XXL
- energy absorber ABM with lanyard LB 101, 2m long and steel connectors AZ 011
- cargo bag, dimensions 31 x 27 x 10cm

ATTACHMENT POINTS



USE:



BASIC 2



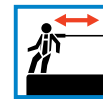
P 30
Full body harness



ABM + LB 100
energy absorber ABM with lanyard LB 100 + 2 x AZ 0111



CARGO BAG T2



VG11 11.074
for use in the vertical where fall over the edge can occur

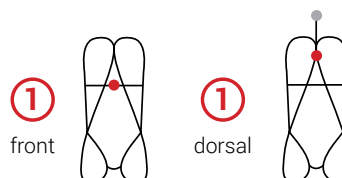


R≥0,5 mm
for profile of r 0.5mm radius without sharp edges

THE KIT COMPRISES:

- full body harness P 30 with front and dorsal attachment point, size M-XL or XXL
- energy absorber ABM with lanyard LB 100 and steel connectors AZ 011
- cargo bag, dimensions 31 x 27 x 10cm

ATTACHMENT POINTS:



USE:



BASIC 3



P 03
Full body harness



ABM + LB 101
energy absorber ABM with lanyard LB 101, 2m long + 2 x AZ 011

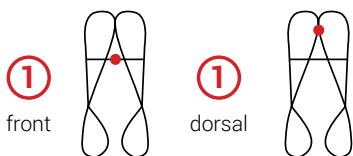


CARGO BAG T2

THE KIT COMPRISES :

- full body harness P 03 with front and dorsal attachment point, size M-XL or XXL
- energy absorber ABM with lanyard LB 101, 2m long and steel connector AZ 011
- cargo bag, dimensions 31 x 27 x 10cm

ATTACHMENT POINTS:



USE:



BASIC 4



P 01
Full body harness



ABM + LB 101
energy absorber ABM with lanyard LB 101 + AZ 011 + AZ 029



CARGO BAG T2

THE KIT COMPRISES :

- full body harness P 01 with dorsal attachment point, size M-XL or XXL
- energy absorber ABM with lanyard LB 101, 2m long and steel connector AZ 011 and steel connector AZ 029
- cargo bag, dimensions 31 x 27 x 10cm

ATTACHMENT POINTS:



USE:



BASIC 5



P 05
Full body harness



ABM + LB 101
energy absorber ABM with lanyard LB 101, 2m long + 2 x AZ 011



LB 100
adjustable lanyard LB 100, 2m long + 2 x AZ 011



CARGO BAG T2



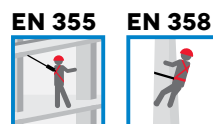
THE KIT COMPRISES :

- full body harness P 05 with front and back attachment point and with belt and side attachment buckles, size M-XL or XXL
- energy absorber ABM with lanyard LB 101, 2m long and steel connectors AZ 011
- adjustable lanyard LB 100, 2m long with steel connectors AZ 011
- cargo bag, dimensions 31 x 27 x 10cm

ATTACHMENT POINTS:



USE:



BASIC S



P 01S
Full body harness



ABM + LB 101
energy absorber ABM
with lanyard LB 101,
2m long + 2 x AZ 011



CARGO BAG T2

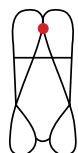
THE KIT COMPRISES:

- full body harness P 01S with dorsal attachment point, size M-XL or XXL
- energy absorber ABM with lanyard LB 101, 2m long and steel connectors AZ 011
- cargo bag, dimensions 31 x 27 x 10cm

ATTACHMENT POINTS:

①

dorsal



USE:

EN 355



BASIC 3S



P 03S
Full body harness



ABM + LB 101
energy absorber ABM with
lanyard LB 101,
2m long + 2 x AZ 011



CARGO BAG T2

THE KIT COMPRISES:

- full body harness P 03S with dorsal attachment point, size M-XL or XXL
- energy absorber ABM with lanyard LB 101, 2m long and steel connectors AZ 011
- cargo bag, dimensions 31 x 27 x 10cm

ATTACHMENT POINTS:

①

front



①

dorsal



EN 355



BASIC 4S

P 01S
Full body harness

ABM + LB 101
energy absorber ABM with lanyard LB 101, 2m long + 2 x AZ 011

CARGO BAG T2

NEW CONNECTORS AZ 029

THE KIT COMPRISES:

- full body harness P 01S with dorsal attachment point, size M-XL or XXL
- energy absorber ABM with lanyard LB 101, 2m long and steel connectors AZ 011
- connector AZ 029
- cargo bag, dimensions 31 x 27 x 10cm

ATTACHMENT POINTS:



USE:



BASIC 5S

P 05S
Full body harness

ABM + LB 101
energy absorber ABM with lanyard LB 101, 2m long + 2 x AZ 011

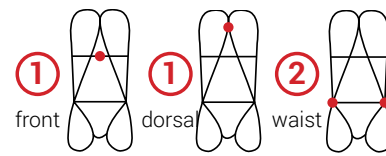
LB 100
adjustable lanyard LB 100, 2m long + 2 x AZ 011

CARGO BAG T2

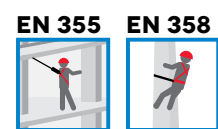
THE KIT COMPRISES:

- full body harness P 05S with front and dorsal attachment point and with belt and side attachment buckles, size M-XL or XXL
- energy absorber ABM with lanyard LB 101, 2m long and steel connectors AZ 011
- adjustable lanyard LB 100, 2m long with steel connectors AZ 011
- cargo bag, dimensions 31 x 27 x 10cm

ATTACHMENT POINTS:



USE:



BASIC 6S



P 01S
Full body harness



CARGO BAG T2



NEW
CONNECTORS
AZ 029

ABM SCF
energy absorber BW 220
with twin-tail lanyard and connectors
AZ 011 and 2 x AZ 029, total length
1.5m

THE KIT COMPRISES:

- full body harness P 01S with dorsal attachment point, size M-XL or XXL
- energy absorber BW 220 with twin-tail lanyard and steel connectors AZ 011 and 2 x AZ 029, total length 1.5m
- cargo bag, dimensions 31 x 27 x 10cm

ATTACHMENT POINTS:



dorsal

USE:



EN 355

BASIC 7S



P 30

Full body harness



CARGO BAG T2



NEW
CONNECTORS
AZ 029

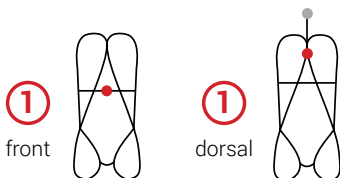
ABM SCF

energy absorber BW 220
with twin-tail lanyard and connectors
AZ 011 and 2 x AZ 029, total length
1.5m

THE KIT COMPRISES:

- full body harness P 30 with front and dorsal attachment point, size M-XL or XXL
- energy absorber BW 220 with twin-tail lanyard and steel connectors AZ 011 and 2 x AZ 029, total length 1.5m
- cargo bag, dimensions 31 x 27 x 10cm

ATTACHMENT POINTS:



USE:



BASIC PRO 1

BASIC PRO 1S



P 01
Full body harness



AC 060
+ AZ 011
guided type fall arrester
with working rope
+ AZ 011 and AZ 002



P 01S
Full body harness



AC 060
+ AZ 011
guided type fall arrester
with working rope
+ AZ 011 and AZ 002



CARGO BAG T4



CARGO BAG T4

THE KIT COMPRISES:

- full body harness P 01 with dorsal attachment point, size M-XL or XXL
- rope grab with energy dissipater LINOSTOP II with working rope and connectors AZ 011, AZ 002
- cargo bag, dimensions 45 x 38 x 10cm

THE KIT COMPRISES:

- full body harness P 01S with dorsal attachment point, size M-XL or XXL
- rope grab with energy dissipater LINOSTOP II with working rope and connectors AZ 011, AZ 002
- cargo bag, dimensions 45 x 38 x 10cm

ATTACHMENT POINTS:



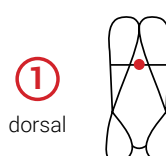
①
dorsal

USE:



EN 353-2

ATTACHMENT POINTS:



①
dorsal

USE:



EN 353-2

BASIC PRO 3



P 03
Full body harness

**AC 060
+ AZ 011**
guided type fall arrester
with working rope
+ AZ 011 and AZ 002



CARGO BAG T4

THE KIT COMPRISES:

- full body harness P 30 with front and dorsal attachment point, size M-XL or XXL
- rope grab with energy dissipater LINOSTOP II with working rope and connectors AZ 011, AZ 002
- cargo bag, dimensions 45 x 38 x 10cm

ATTACHMENT POINTS:



USE:



BASIC PRO 3S



P 03S
Full body harness

**AC 060
+ AZ 011**
guided type fall arrester
with working rope
+ AZ 011 and AZ 002



CARGO BAG T4

THE KIT COMPRISES:

- full body harness P 03S with front and dorsal attachment point, size M-XL or XXL
- rope grab with energy dissipater LINOSTOP II with working rope and connectors AZ 011, AZ 002
- cargo bag, dimensions 45 x 38 x 10cm

ATTACHMENT POINTS:



USE:



BASIC PRO 5



P 30
Full body harness



AC 060
+ AZ 011
guided type fall arrester
with working rope
+ AZ 011 and AZ 002



CARGO BAG T4

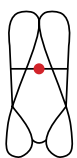
THE KIT COMPRISES:

- full body harness P 30 with front and dorsal attachment point, size M-XL or XXL
- rope grab with energy dissipater LINOSTOP II with working rope and connectors AZ 011 and AZ 002
- cargo bag, dimensions 45 x 38 x 10cm

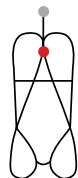
ATTACHMENT POINTS:



front



dorsal



USE:

EN 353-2



BASIC PRO 6



P 36C
Full body harness



AC 060
+ AZ 011
guided type fall arrester
with working rope
+ AZ 011 and AZ 002



CARGO BAG T4

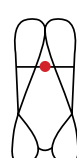
THE KIT COMPRISES:

- full body harness P 36 C with front and dorsal attachment point, size M-XL or XXL
- rope grab with energy dissipater LINOSTOP II with working rope and connectors AZ 011 and AZ 002
- cargo bag, dimensions 45 x 38 x 10cm

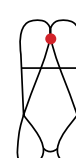
ATTACHMENT POINTS:



front



dorsal



USE:

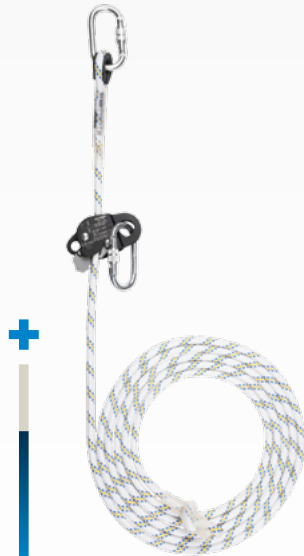
EN 353-2



BASIC AC 5



P 30
Full body harness



AC 080
+ 2 AZ 011
guided type fall arrester
with working rope

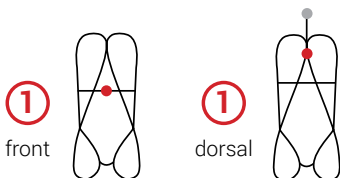


CARGO BAG T4

THE KIT COMPRISES:

- full body harness P 30 with front and dorsal attachment point, size M-XL or XXL
- guided type fall arrester AC 080 with working rope and connectors AZ 011
- cargo bag, dimensions 45 x 38 x 10cm

ATTACHMENT POINTS:



USE:



BASIC AC 6



P 36C
Full body harness



AC 080
+ 2 AZ 011
guided type fall arrester
with working rope



CARGO BAG T4

THE KIT COMPRISES:

- full body harness P 36C with front and dorsal attachment point, size M-XL or XXL
- guided type fall arrester AC 080 with working rope and connectors AZ 011
- cargo bag, dimensions 45 x 38 x 10cm

ATTACHMENT POINTS:



USE:



GRIDER



P 05S
Full body harness

NEW
CONNECTORS
AZ 029



ABM-2T
energy absorber with double webbing +
AZ 011 + 2 x AZ 029



LB 100
adjustable lanyard + 2 x AZ 011

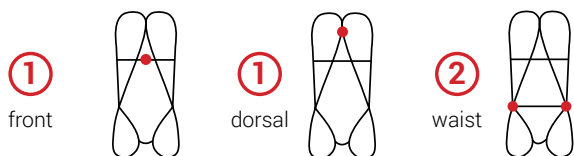


CARGO BAG T2

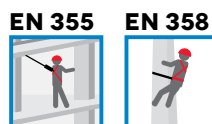
THE KIT COMPRISES:

- full body harness P 05S with front and dorsal attachment point, belt and side attachment buckles
- energy absorber with double polyamide webbing ABM-2T and connectors AZ 011 and 2 x AZ 029
- adjustable lanyard LB 100, 1.2m long with connectors AZ 011 cargo bag, dimensions 31 x 27 x 10cm

ATTACHMENT POINTS:



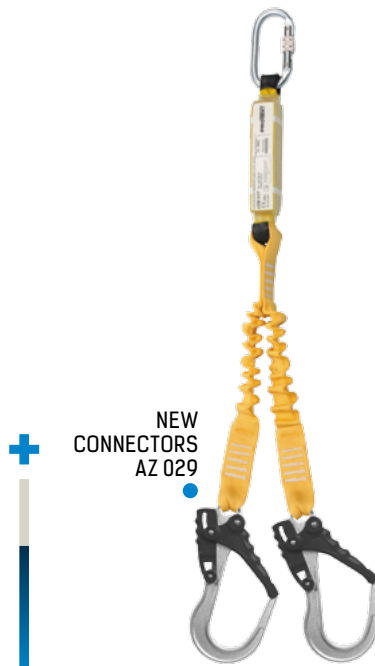
USE:



GRIDER 2

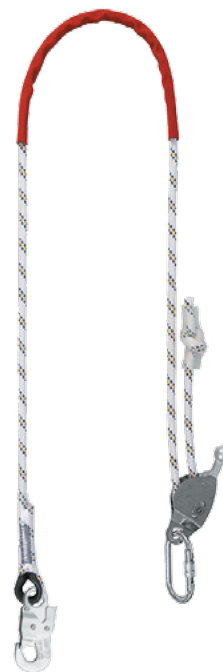


P 52PRO
Full body harness



NEW
CONNECTORS
AZ 029

ABM SCF
energy absorber BW 260 15 with twin-tail lanyard, 1.5m long + AZ 011 + 2 x AZ 029 (opening 50mm)



PROT 22
work positioning device, 2m long with connectors AZ 002 and AZ 011

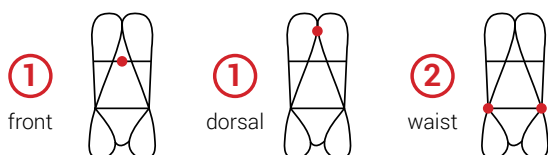


CARGO BAG T2

THE KIT COMPRISES:

- full body harness P 52PRO with front and dorsal attachment point, belt and side attachment buckles
- energy absorber BW 260 15 with twin-tail lanyard and connectors AZ 011, 2 x AZ 029 (opening 50mm), 1.5m long
- work positioning device PROT 22, 2m long with steel connectors AZ 002 and AZ 011
- cargo bag, dimensions 31 x 27 x 10cm

ATTACHMENT POINTS:



USE:



ROLER



P 30
Full body harness



ROLEX 3
retractable type fall arrester
with connectors AZ 029S
and AZ 002AS

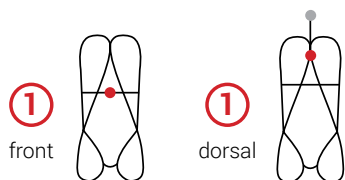


CARGO BAG T2

THE KIT COMPRISES:

- full body harness P 30 with front and dorsal attachment point, size M-XL or XXL
- retractable type fall arrester AH 220S with connectors AZ 029S and AZ 002AS
- cargo bag, dimensions 31 x 27 x 10cm

ATTACHMENT POINTS:



USE:



ROLER 2



P 30
Full body harness



AZ 410
connecting lanyard, 1m
long with connector
AZ 0111



CR 240
retractable type fall arrester
with cable, 10m long and
connector AZ 002ASI

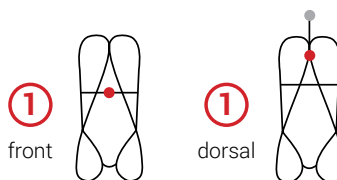


**CARGO BAG
AX 011**

THE KIT COMPRISES:

- full body harness P 30 with front and dorsal attachment point, size M-XL or XXL
- connecting lanyard AZ 410, 1m long with connector AZ 0111
- retractable type fall arrester CR 240 with cable, 10m long and connector AZ 002ASI
- cargo bag AX 011, dimensions 30 x 30 x 60cm

ATTACHMENT POINTS:



USE:



ROLER 3



P 03S
Full body harness



WR 025
retractable type fall arrester
with connectors AZ 011
and AZ 002A



CARGO BAG T2

THE KIT COMPRISES:

- full body harness P 30S with front and dorsal attachment point, size M-XL or XXL
- retractable type fall arrester WR 025 with connectors AZ 011 and AZ 002AS
- cargo bag, dimensions 31 x 27 x 10cm

ATTACHMENT POINTS:



USE:



ROLER 4



P 32PRO
Full body harness



**WR 040
DOUBLE**
retractable type fall arrester
with connector AZ 055

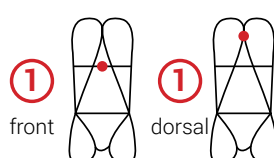


CARGO BAG T4

THE KIT COMPRISES:

- full body harness P 32PRO with front and dorsal attachment point, size M-XL or XXL
- retractable type fall arrester WR 040 DOUBLE with connectors AZ 055 (opening 50 mm)
- cargo bag, dimensions 45 x 38 x 10cm

ATTACHMENT POINTS:



USE:



ROLER 5



P 52PRO
Full body harness



WR 040 DOUBLE
retractable type fall arrester
with connector AZ 055



PROT 22
work positioning device, 2m long with
connectors AZ 002 and AZ 011

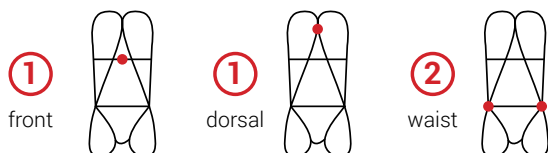


CARGO BAG T4

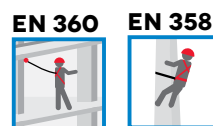
THE KIT COMPRISES:

- full body harness P 52PRO with front and dorsal attachment point, belt and side attachment buckles
- retractable type fall arrester WR 040 DOUBLE with connectors AZ 055 (opening 50 mm)
- work positioning device PROT 22, 2m long with connectors AZ 002 and AZ 011
- cargo bag, dimensions 45 x 38 x 10cm

ATTACHMENT POINTS:



USE:



COMFORT



P 30
Full body harness

LA 101
energy absorber
with connectors AZ 011
and AZ 029

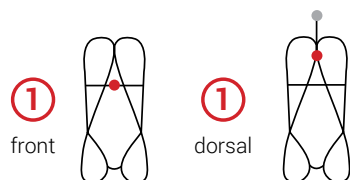
CARGO BAG T2

NEW CONNECTORS AZ 029

THE KIT COMPRISES:

- full body harness P 30 with front and dorsal attachment point, size M-XL or XXL
- energy absorber, 1.6m long with connectors AZ 011 and AZ 029
- cargo bag, dimensions 31 x 27 x 10cm

ATTACHMENT POINTS:



USE:



COMFORT 2



P 51E
Full body harness

ABM/2LE 111
energy absorber
+ AZ 011 + 2 x AZ 029

PROT 3
work positioning device,
2m long with connectors
AZ 011 and AZ 002

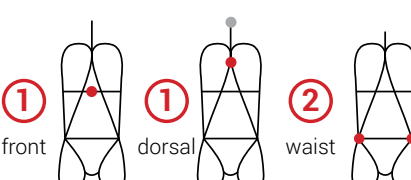
CARGO BAG T4

NEW CONNECTORS AZ 029

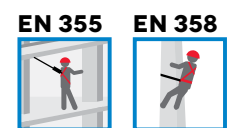
THE KIT COMPRISES:

- full body harness P 51E with front and dorsal attachment point, size M-XL or XXL
- energy absorber ABM with twin-tail elastic lanyard LE 111 and connectors AZ 011 and 2 x AZ 029
- work positioning device PROT 3, 2m long with connectors AZ 011 and AZ 002
- cargo bag, dimensions 45 x 38 x 10cm

ATTACHMENT POINTS:



USE:



COMFORT 3

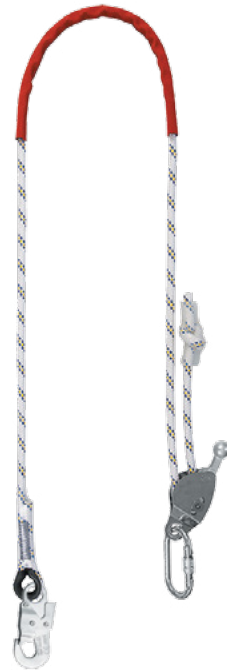


P 52PRO
Full body harness



NEW
CONNECTORS
AZ 029

ABM SCF
energy absorber BW 260 15 + AZ 011 +
2 x AZ 029 (opening 50mm), 1.5m long



PROT 22
work positioning device, 2m long +
AZ 011 + AZ 002

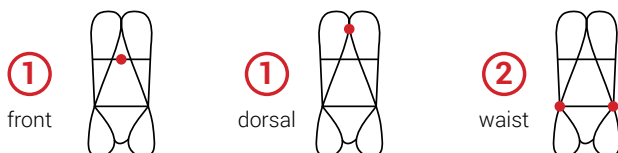


CARGO BAG

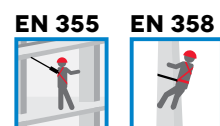
THE KIT COMPRISES:

- full body harness P 52PRO with front and dorsal attachment point, belt and side attachment buckles
- energy absorber BW 260 15 with elastic lanyard and connectors AZ 011 and 2 x AZ 029 (opening 50mm), 1.5m long
- work positioning device PROT 22, 2m long with steel connectors AZ 002 and AZ 011
- cargo bag, dimensions 45 x 38 x 10cm

ATTACHMENT POINTS:



USE:



ROOFER



P 70
Full body harness



PROT 2
2 work positioning device



AZ 410
connecting lanyard,
1m long with connector AZ 011



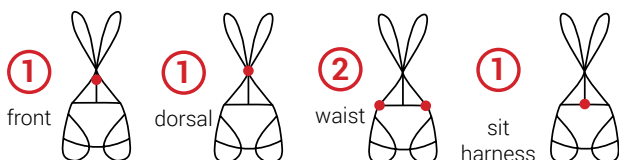
CARGO BAG

FALL PROTECTION KIT FOR WORK ON STEEP ROOF

THE KIT COMPRISES:

- full body harness P 70 with front and dorsal attachment point, adjustable thigh, shoulder straps and waist belt, size M-XL or XXL
- connecting lanyard AZ 410, 1m long with connector AZ 011
- work positioning device PROT 2 with connectors AZ 011 and AZ 002
- cargo bag, dimensions 45 x 38 x 10cm

ATTACHMENT POINTS:



EN 358



USE:

ROOFER PRO



P 70
Full body harness



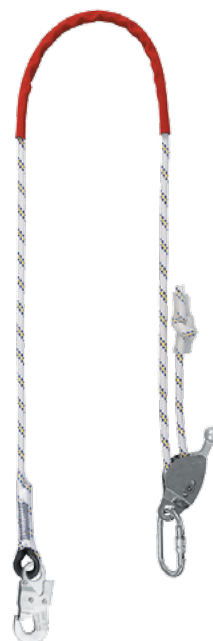
CARGO BAG



AZ 410
2 x connecting lanyard, 1m long with connector AZ 011



AC 060
guided type fall arrester with working rope with connectors AZ 011 and AZ 002

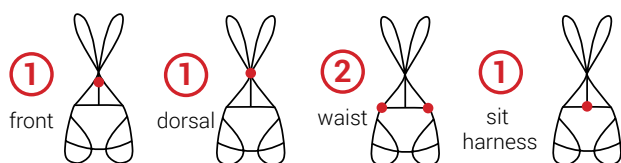


PROT 22
work positioning device

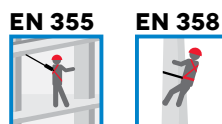
THE KIT COMPRISES:

- full body harness P 70 with front and dorsal attachment point, adjustable thigh, shoulder straps and waist belt, size M-XL or XXL
- 2 x connecting lanyard AZ 410, 1m long with connector AZ 011
- work positioning device PROT 22 with steel connectors AZ 002 and AZ 011
- rope grab with energy dissipater LINOSTOP II with working rope and connectors AZ011, AZ002
- cargo bag, dimensions 45 x 38 x 10cm

ATTACHMENT POINTS:



USE:



ROOFER AC

FALL PROTECTION KIT FOR WORK ON STEEP ROOF



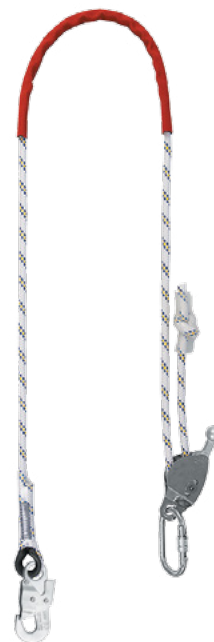
P 90
Full body harness



AZ 410
2 x connecting lanyard, 1m long with connector AZ 011



AC 080
guided type fall arrester with working rope with connectors 2 x AZ 011



PROT 22
work positioning device

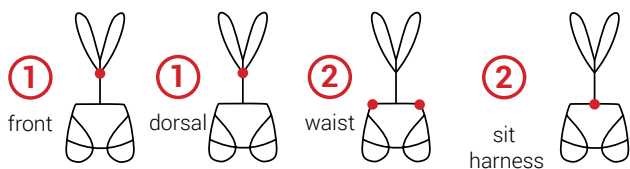


CARGO BAG

THE KIT COMPRISES:

- full body harness P 90 with front and dorsal attachment point, adjustable thigh, shoulder straps and waist belt, size M-XL or XXL
- 2 x connecting lanyard AZ 410, 1m long with connector AZ 011
- work positioning device PROT 22 with steel connectors AZ 002 and AZ 011
- guided type fall arrester AC 080 with working rope and connectors AZ 011
- cargo bag, dimensions 45 x 38 x 10cm

ATTACHMENT POINTS:



USE:



LIFTER 4 – CONFINED DESCENT KIT



P 40
Full body harness



AT 300
rescue lifting sling
with 3 connectors AZ 011



CRW 200
retractable type fall arrester with
rescue lifting device and cable,
15m long



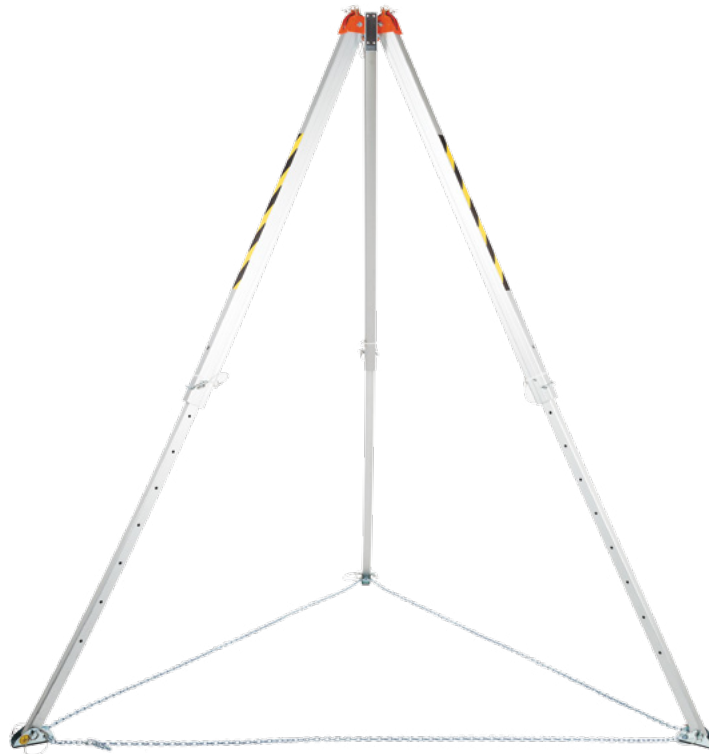
**CARGO BAG
AX 012**

THE KIT COMPRISES:

- full body harness P 40 with front and dorsal attachment point, size M-XL or XXL
- rescue lifting sling AT 300 with 3 connectors AZ 011
- retractable type fall arrester CRW 200 with rescue lifting device and cable, 15 m long
- cargo bag AX 012, dimensions 80 x 40 x 40cm, volume 81L
- safety tripod TM 14 with fixing adapter for CRW 200
- pulley PL 101
- cargo bag for tripod TM 14

ATTACHMENT POINTS:





TM 14
Safety tripod

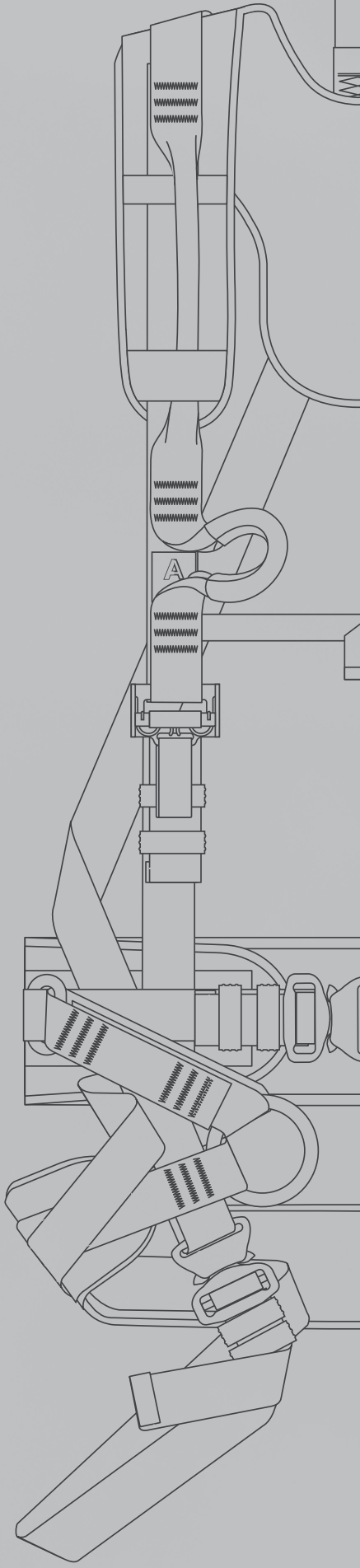


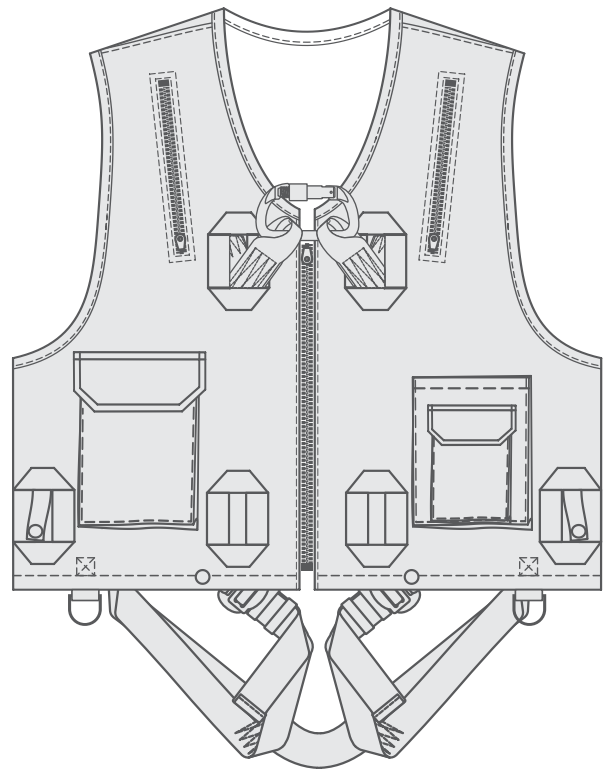
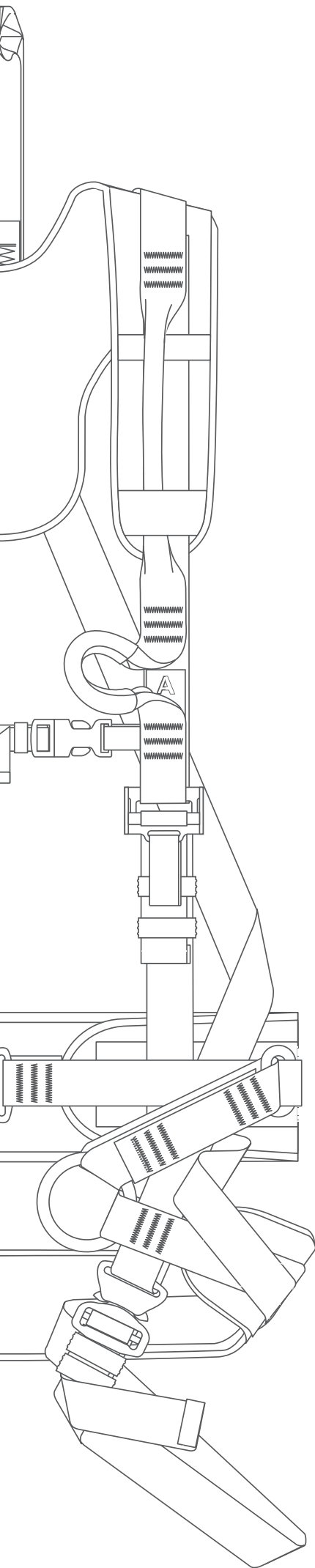
PL 101
Pulley



AT 174
fixing adapter for CRW 200

**CARGO BOX FOR
TRIPOD TM 14**





Full body harnesses, protective clothing

Full body harness	2 - 3
Heat-resistant full body harness	2 - 65
Hi Vision full body harness	2 - 89
Overalls with full body harness	2 - 97
SOFTSHELL jackets	2 - 98
Harness with vest	2 - 101
Protective vests	2 - 102

New automatic buckles in harnesses!

The weight of the buckle is only 133 g



SCAN ME
▶ VIDEO



Robust high-carbon
steel construction

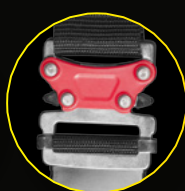
Colored cap ABS



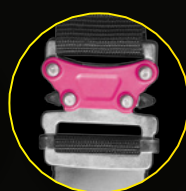
black



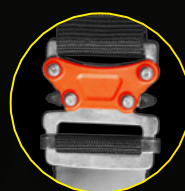
grey



red



pink



orange



bright yellow
HV



bright green
HV

P-01

Full body harness

EN 361

Ref. no.: AB 101 01

CE



SPECIAL FEATURES

 PERMITTED TO WORK IN POTENTIALLY EXPLOSIVE AREAS

MANUFACTURE

Webbing:	polyester 45mm
Buckles:	galvanized steel
Threads:	polyester

NUMBER OF ATTACHMENT POINTS

1
dorsal



DORSAL ATTACHMENT POINT



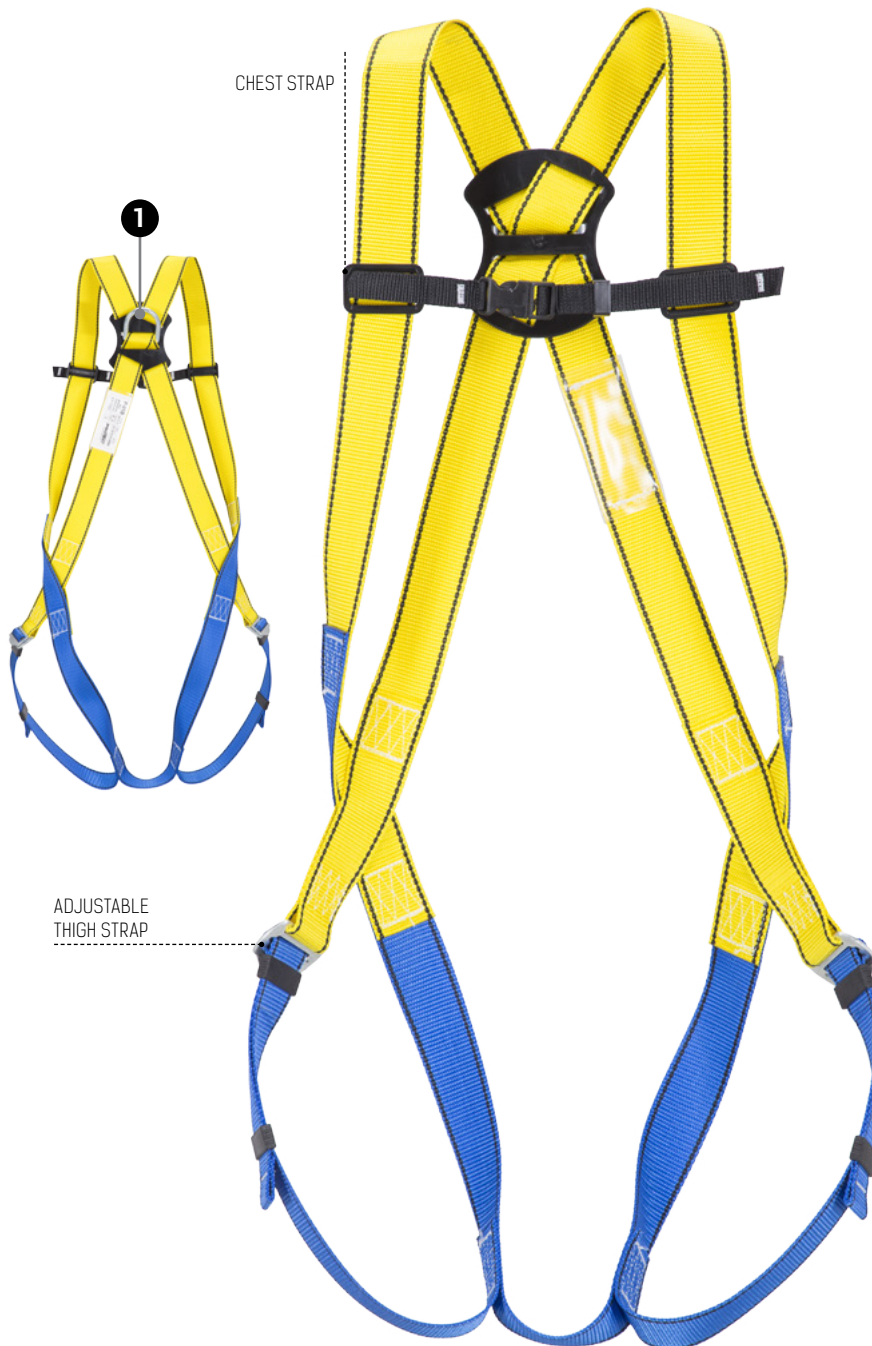
EN 361

P-01B

Full body harness

EN 361

Ref. no.: AB 101 03



MANUFACTURE

Webbing:	polyester 45mm
Buckles:	galvanized steel
Threads:	polyester

NUMBER OF ATTACHMENT POINTS

1
dorsal



VERSION	WEIGHT
M - XL	650 g
XXL	670 g

DORSAL ATTACHMENT POINT



EN 361

Dorsal attachment D-ring

P-01S

Full body harness

EN 361

Ref. no.: AB 101 02



SPECIAL FEATURES

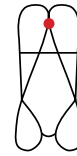
 PERMITTED TO WORK IN POTENTIALLY EXPLOSIVE AREAS

MANUFACTURE

Webbing:	polyester 45mm
Buckles:	galvanized steel
Threads:	polyester

NUMBER OF ATTACHMENT POINTS

1
dorsal



VERSION	WEIGHT
M - XL	690 g
XXL	710 g

DORSAL ATTACHMENT POINT



EN 361

P-02

Full body harness

EN 361, EN 358

Ref. no.: AB 102 01



SPECIAL FEATURES

 PERMITTED TO WORK IN POTENTIALLY EXPLOSIVE AREAS

MANUFACTURE

Webbing: polyester 45mm
Buckles: galvanized steel
Threads: polyester

NUMBER OF ATTACHMENT POINTS



VERSION	WEIGHT
M - XL	1050 g
XXL	1150 g

DORSAL ATTACHMENT POINT



EN 361

BELT



EN 358

P-02S

Full body harness

EN 361, EN 358

Ref. no.: AB 102 02



SPECIAL FEATURES



PREMITTED TO WORK IN POTENTIALLY EXPLOSIVE AREAS

MANUFACTURE

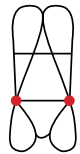
Webbing:	polyester 45mm
Buckles:	galvanized steel
Threads:	polyester

NUMBER OF ATTACHMENT POINTS

1
dorsal



2
waist



VERSION	WEIGHT
M - XL	1100 g
XXL	1200 g

DORSAL ATTACHMENT POINT



EN 361

BELT



EN 358

Work positioning belt with side attachment buckles

P-03

Full body harness

EN 361

Ref. no.: AB 103 01



SPECIAL FEATURES

 **Tested for maximum user's weight 140 kg**

 **PERMITTED TO WORK IN POTENTIALLY EXPLOSIVE AREAS**

MANUFACTURE

Webbing:	polyester 45mm
Buckles:	galvanized steel
Threads:	polyester

NUMBER OF ATTACHMENT POINTS



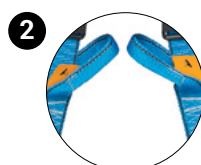
VERSION	WEIGHT
M - XL	690 g
XXL	700 g

DORSAL ATTACHMENT POINT



EN 361

FRONT ATTACHMENT POINT



EN 361

P-03AL

Full body harness

EN 361

Ref. no. AB 103 05



AL

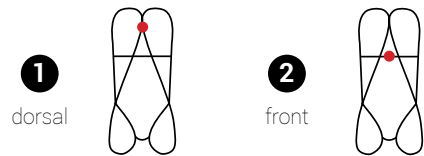
All buckles made of aluminium

ADJUSTABLE THIGH STRAP

MANUFACTURE

Webbing:	polyester 45mm
Buckles:	aluminium
Threads:	polyester

NUMBER OF ATTACHMENT POINTS



VERSION	WEIGHT
M - XL	670 g
XXL	680 g

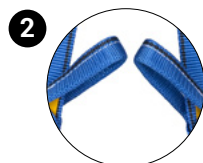
DORSAL ATTACHMENT POINT



EN 361

Dorsal attachment D-ring

FRONT ATTACHMENT POINT



EN 361

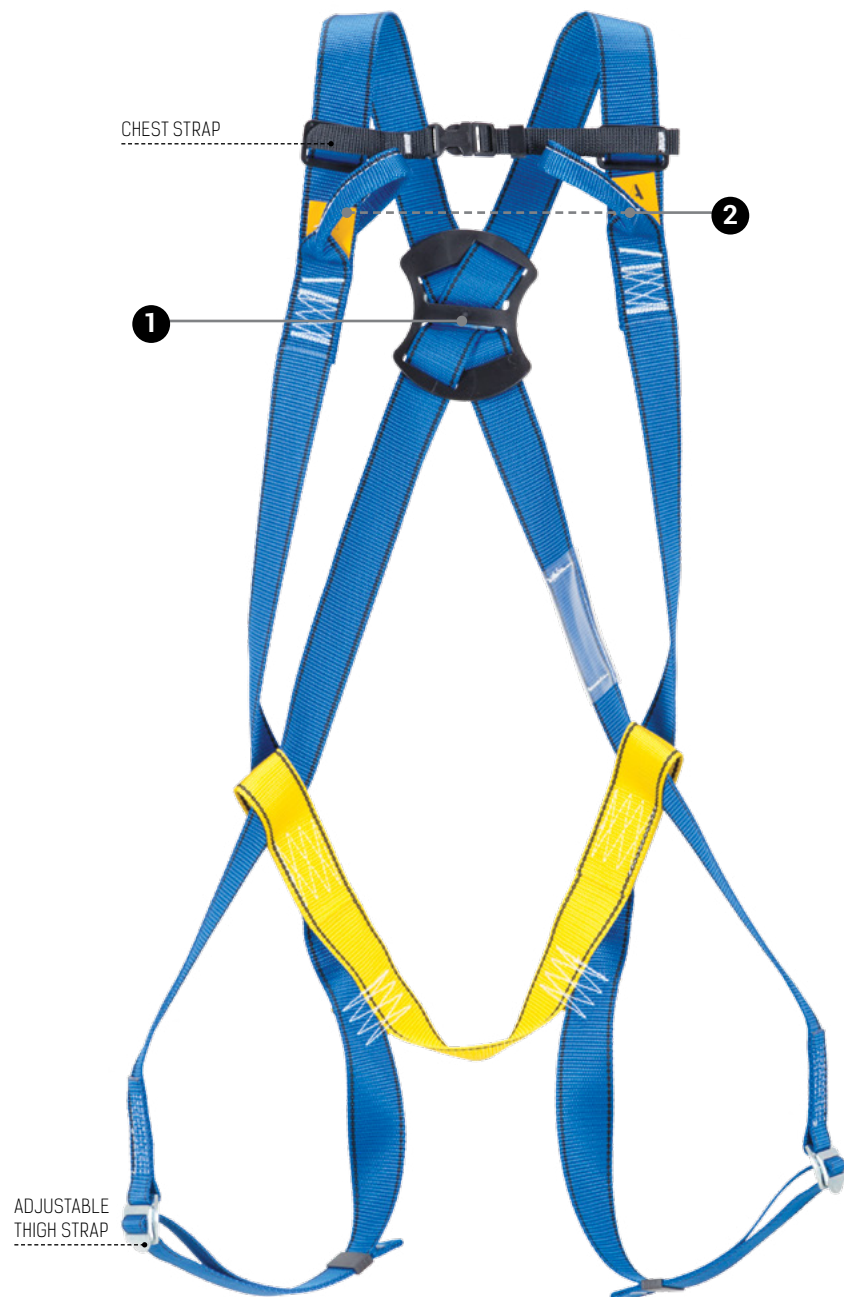
Front attachment point

P-03S

Full body harness

EN 361

Ref. no.: AB 103 02



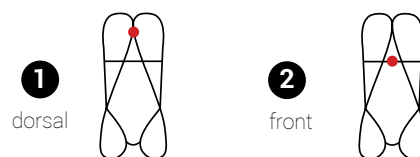
SPECIAL FEATURES

 PERMITTED TO WORK IN POTENTIALLY EXPLOSIVE AREAS

MANUFACTURE

Webbing: polyester 45mm
Buckles: galvanized steel
Threads: polyester

NUMBER OF ATTACHMENT POINTS



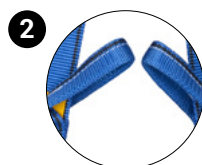
VERSION	WEIGHT
M - XL	730 g
XXL	740 g

DORSAL ATTACHMENT POINT



EN 361

FRONT ATTACHMENT POINT



EN 361

P-05

Full body harness

EN 361, EN 358

Ref. no.: AB 105 01



SPECIAL FEATURES

Tested for maximum user's weight 140 kg

PERMITTED TO WORK IN POTENTIALLY EXPLOSIVE AREAS

MANUFACTURE

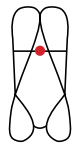
Webbing:	polyester 45mm
Buckles:	galvanized steel
Threads:	polyester

NUMBER OF ATTACHMENT POINTS

1
dorsal



2
front



3
pas



VERSION	WEIGHT
---------	--------

M - XL	1120 g
--------	--------

XXL	1220 g
-----	--------

DORSAL ATTACHMENT POINT



EN 361

FRONT ATTACHMENT POINT



EN 361

BELT



EN 358

P-05S

Full body harness

EN 361, EN 358

Ref. no.: AB 105 02



SPECIAL FEATURES



PERMITTED TO WORK IN
POTENTIALLY EXPLOSIVE AREAS

MANUFACTURE

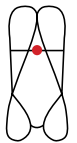
Webbing:	polyester 45mm
Buckles:	galvanized steel
Threads:	polyester

NUMBER OF ATTACHMENT POINTS

1
dorsal



2
front



3
waist



VERSION	WEIGHT
M - XL	1160 g
XXL	1260 g

DORSAL ATTACHMENT POINT



EN 361

FRONT ATTACHMENT POINT



EN 361

BELT



EN 358

P-10

Full body harness

EN 361

Ref. no.: AB 110 01



CHEST STRAP

ADJUSTABLE THIGH STRAP

SPECIAL FEATURES

 PERMITTED TO WORK IN POTENTIALLY EXPLOSIVE AREAS

MANUFACTURE

Webbing:	polyester 45mm
Buckles:	galvanized steel
Threads:	polyester

NUMBER OF ATTACHMENT POINTS

1

dorsal



VERSION	WEIGHT
---------	--------

M - XL	870 g
--------	-------

XXL	900 g
-----	-------

DORSAL ATTACHMENT POINT



EN 361

P-10A

Full body harness

EN 361

Ref. no.: AB 111 01



CHEST STRAP

ADJUSTABLE THIGH STRAP

AL

All buckles made of aluminium

MANUFACTURE

Webbing:	polyester 45mm
Buckles:	aluminium
Threads:	polyester

NUMBER OF ATTACHMENT POINTS

1

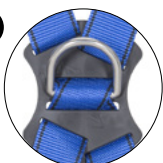
dorsal



VERSION	WEIGHT
M - XL	920 g
XXL	1000 g

DORSAL ATTACHMENT POINT

1



EN 361

Dorsal attachment D-ring

P-10R

Full body harness

EN 361, EN 1497

Ref. no.: AB 110 03



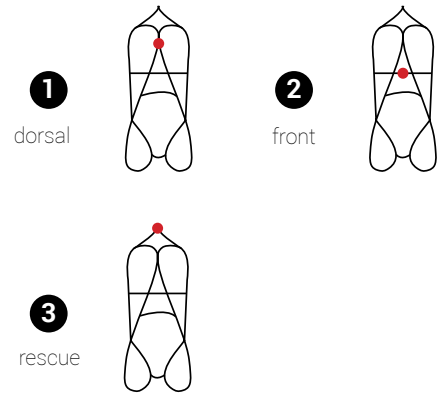
SPECIAL FEATURES



MANUFACTURE

Webbing:	polyester 45mm
Buckles:	galvanized steel
Threads:	polyester

NUMBER OF ATTACHMENT POINTS



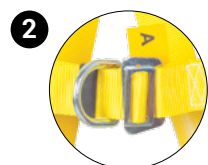
VERSION	WEIGHT
M - XL	1460 g
XXL	1600 g

DORSAL ATTACHMENT POINT



EN 361

FRONT ATTACHMENT POINT



EN 361

RESCUE ATTACHMENT POINT



EN 1497

P-11

Full body harness

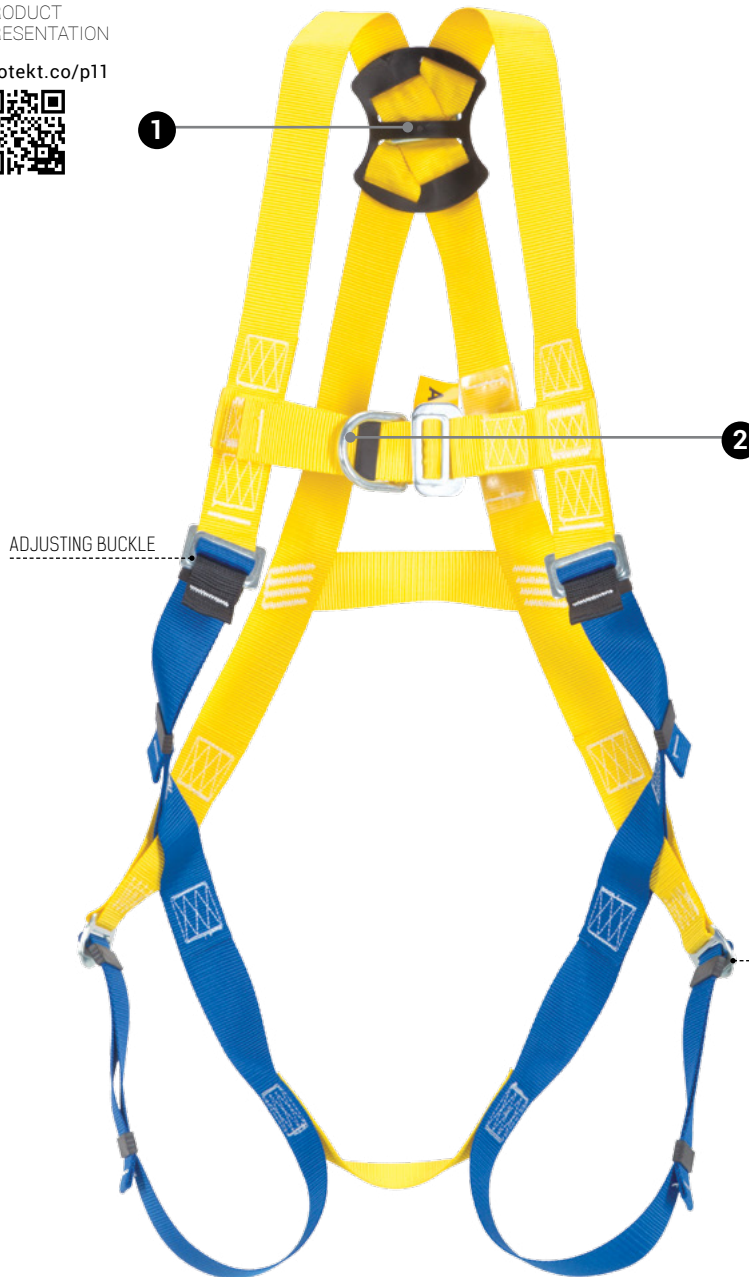
EN 361

Ref. no.: AB 110 07



PRODUCT
PRESENTATION

protekt.co/p11



SPECIAL FEATURES



PERMITTED TO WORK IN
POTENTIALLY EXPLOSIVE AREAS

MANUFACTURE

Webbing:	polyester 45mm
Buckles:	galvanized steel
Threads:	polyester

NUMBER OF ATTACHMENT POINTS



VERSION	WEIGHT
---------	--------

M - XL	1100 g
--------	--------

XXL	1150 g
-----	--------

DORSAL ATTACHMENT POINT



EN 361

FRONT ATTACHMENT POINT



EN 361

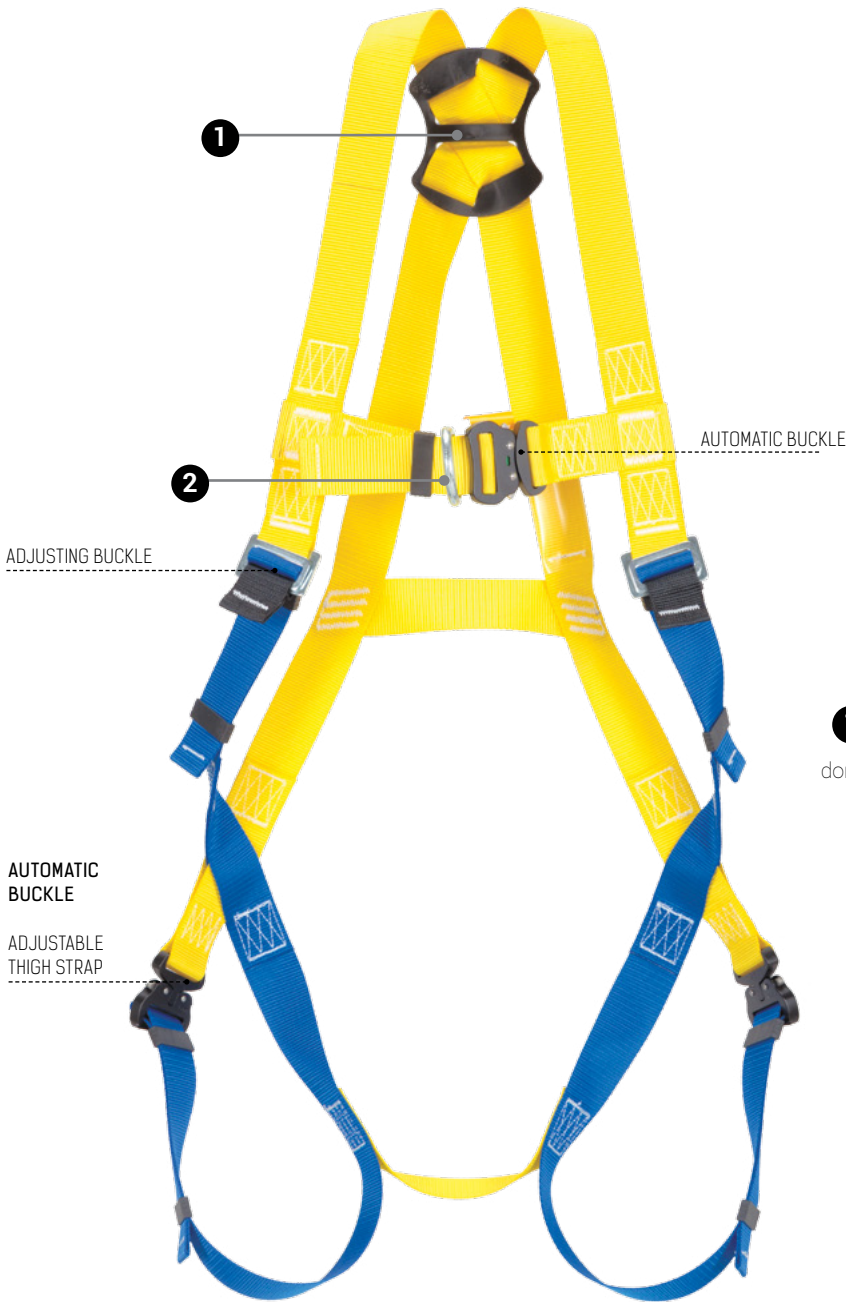
P-11mx

Full body harness

ENHANCED

EN 361

Ref. no.: AB 110 21



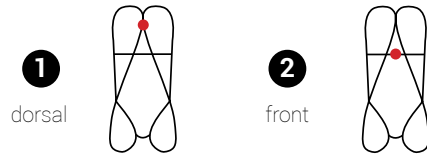
SPECIAL FEATURES



MANUFACTURE

Webbing:	polyester 45mm
Buckles:	galvanized steel, ABS
Threads:	polyester

NUMBER OF ATTACHMENT POINTS



E ENHANCED ALL AUTOMATIC BUCKLES



VERSION	WEIGHT
M - XL	1100 g
XXL	1200 g

DORSAL ATTACHMENT POINT



EN 361

FRONT ATTACHMENT POINT



EN 361

P-20

Full body harness

EN 361, EN 358

Ref. no.: AB 120 01



PRODUCT
PRESENTATION

protekt.co/p20



SPECIAL FEATURES



PERMITTED TO WORK IN
POTENTIALLY EXPLOSIVE AREAS

MANUFACTURE

Webbing: polyester 45mm

Buckles: galvanized steel

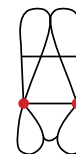
Threads: polyester

NUMBER OF ATTACHMENT POINTS

1
dorsal



2
waist



VERSION	WEIGHT
---------	--------

M - XL	1350 g
--------	--------

XXL	1450 g
-----	--------

DORSAL ATTACHMENT POINT



EN 361

BELT



EN 358

P-20mX

Full body harness

ENHANCED

EN 361, EN 358

Ref. no.: AB 120 21



CHEST STRAP

ADJUSTING BUCKLE

AUTOMATIC BUCKLE
ADJUSTABLE THIGH STRAP

E ENHANCED ALL AUTOMATIC BUCKLES



MANUFACTURE

Webbing: polyester 45mm

Buckles: galvanized steel, ABS

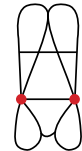
Threads: polyester

NUMBER OF ATTACHMENT POINTS

1
dorsal



2
waist



VERSION WEIGHT

M - XL 1600 g

XXL 1690 g

DORSAL ATTACHMENT POINT



EN 361

BELT



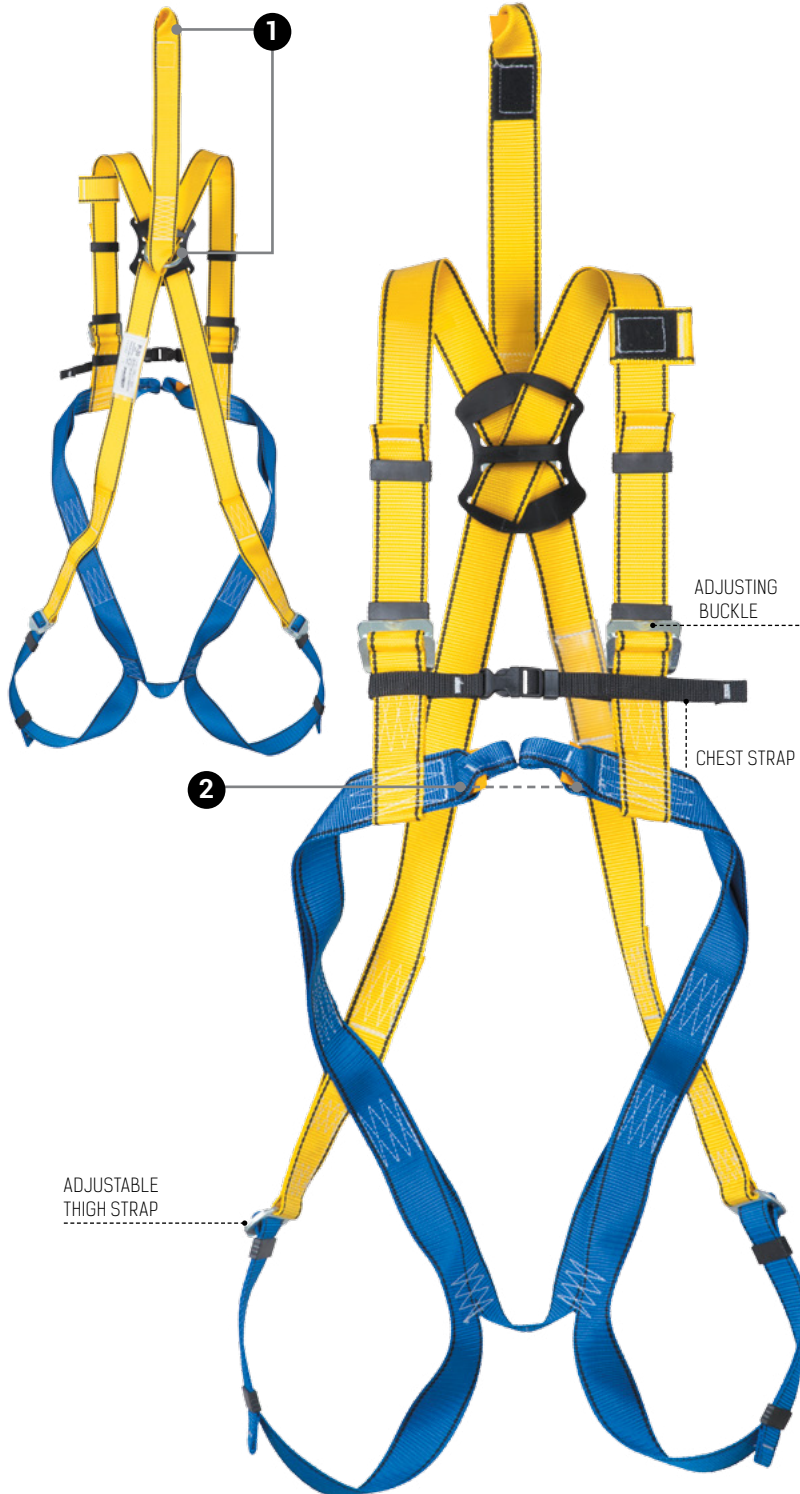
EN 358

P-30

Full body harness

EN 361

Ref. no.: AB 130 01



PRODUCT PRESENTATION

protekt.co/p30



SPECIAL FEATURES



Protection up to 140 Kg

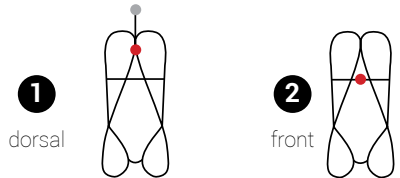


PERMITTED TO WORK IN POTENTIALLY EXPLOSIVE AREAS

MANUFACTURE

Webbing:	polyester 45mm
Buckles:	galvanized steel
Threads:	polyester

NUMBER OF ATTACHMENT POINTS



VERSION	WEIGHT
M - XL	1010 g
XXL	1080 g

DORSAL ATTACHMENT POINT



EN 361

FRONT ATTACHMENT POINT



EN 361

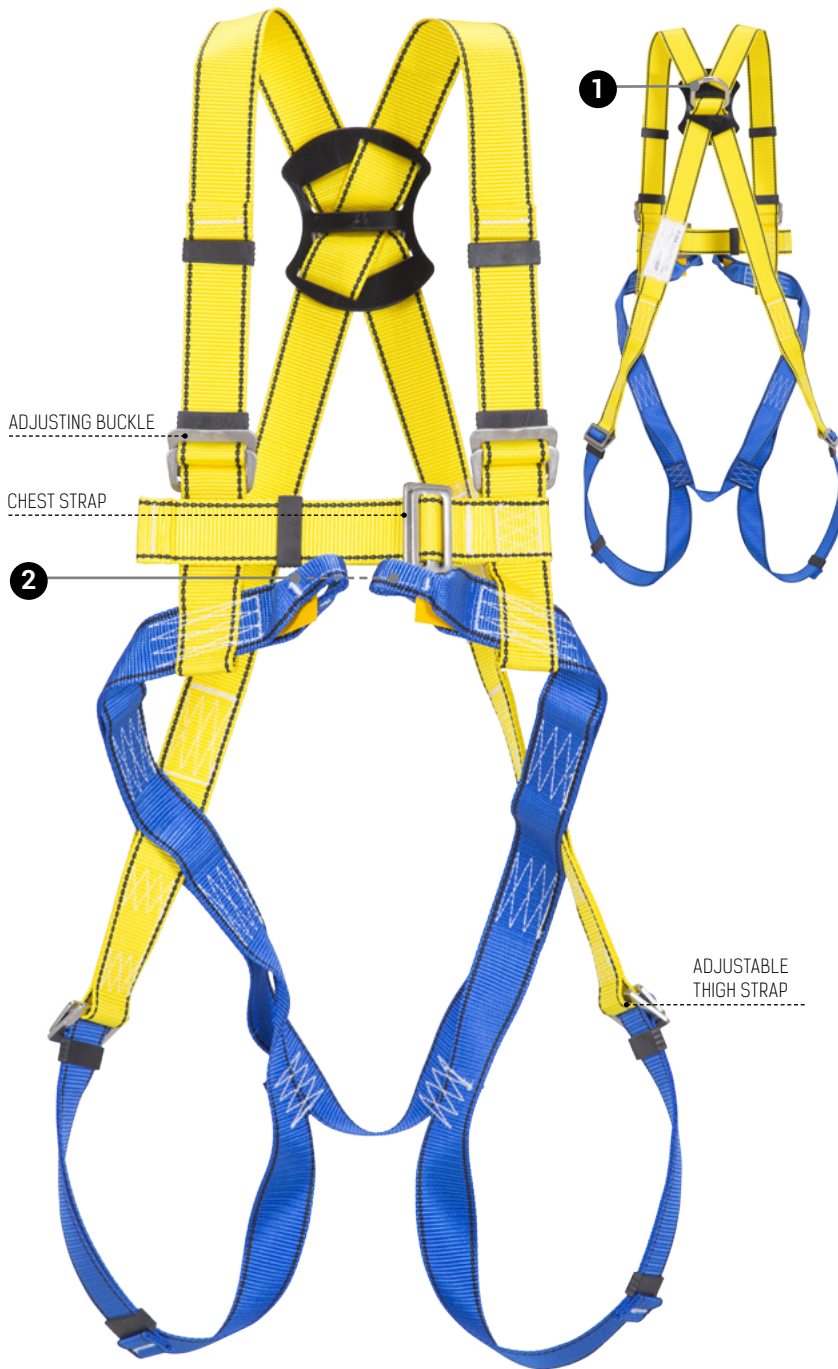
Front attachment point

P-30A

Full body harness

EN 361

Ref. no.: AB 131 10



SPECIAL FEATURES

N ALL BUCKLES MADE OF STAINLESS STEEL

MANUFACTURE

Webbing: polyester 45mm
 Buckles: galvanized steel
 Threads: polyester

NUMBER OF ATTACHMENT POINTS



VERSION	WEIGHT
M - XL	1135 g
XXL	1205 g

DORSAL ATTACHMENT POINT



EN 361
Dorsal attachment D-ring

FRONT ATTACHMENT POINT



EN 361
Front attachment point

P-30mx

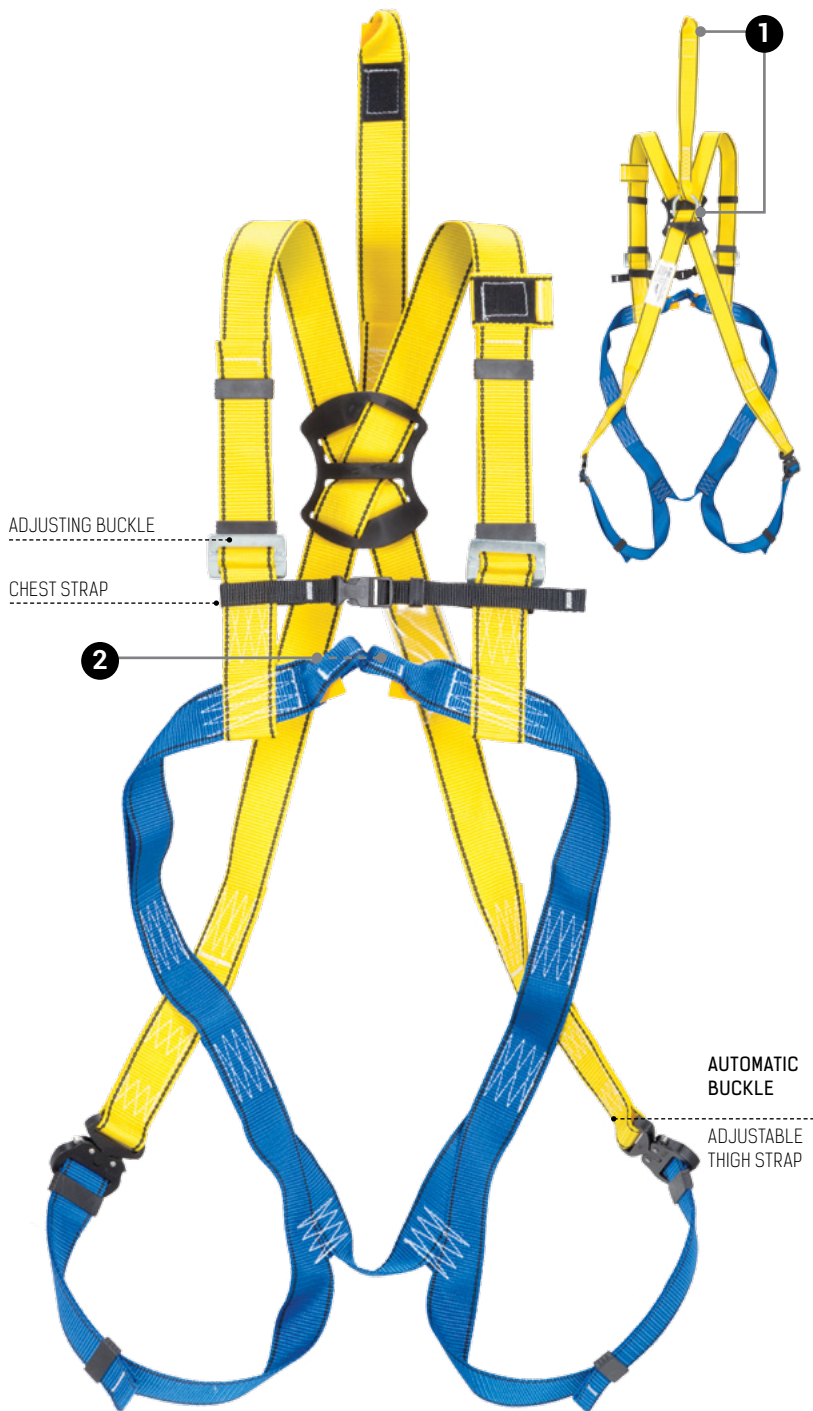
Full body harness

ENHANCED

EN 361

Ref. no.: AB 130 21

CE



E ENHANCED ALL AUTOMATIC BUCKLES



SPECIAL FEATURES

 PERMITTED TO WORK IN POTENTIALLY EXPLOSIVE AREAS

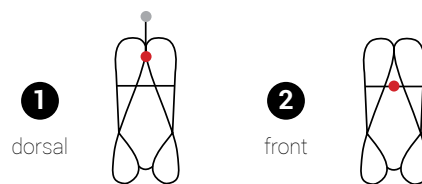
MANUFACTURE

Webbing: polyester 45mm

Buckles: galvanized steel, ABS

Threads: polyester

NUMBER OF ATTACHMENT POINTS



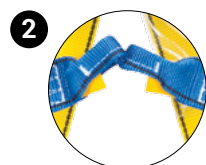
VERSION	WEIGHT
M - XL	1100 g
XXL	1180 g

DORSAL ATTACHMENT POINT



EN 361
Dorsal attachment D-ring

FRONT ATTACHMENT POINT



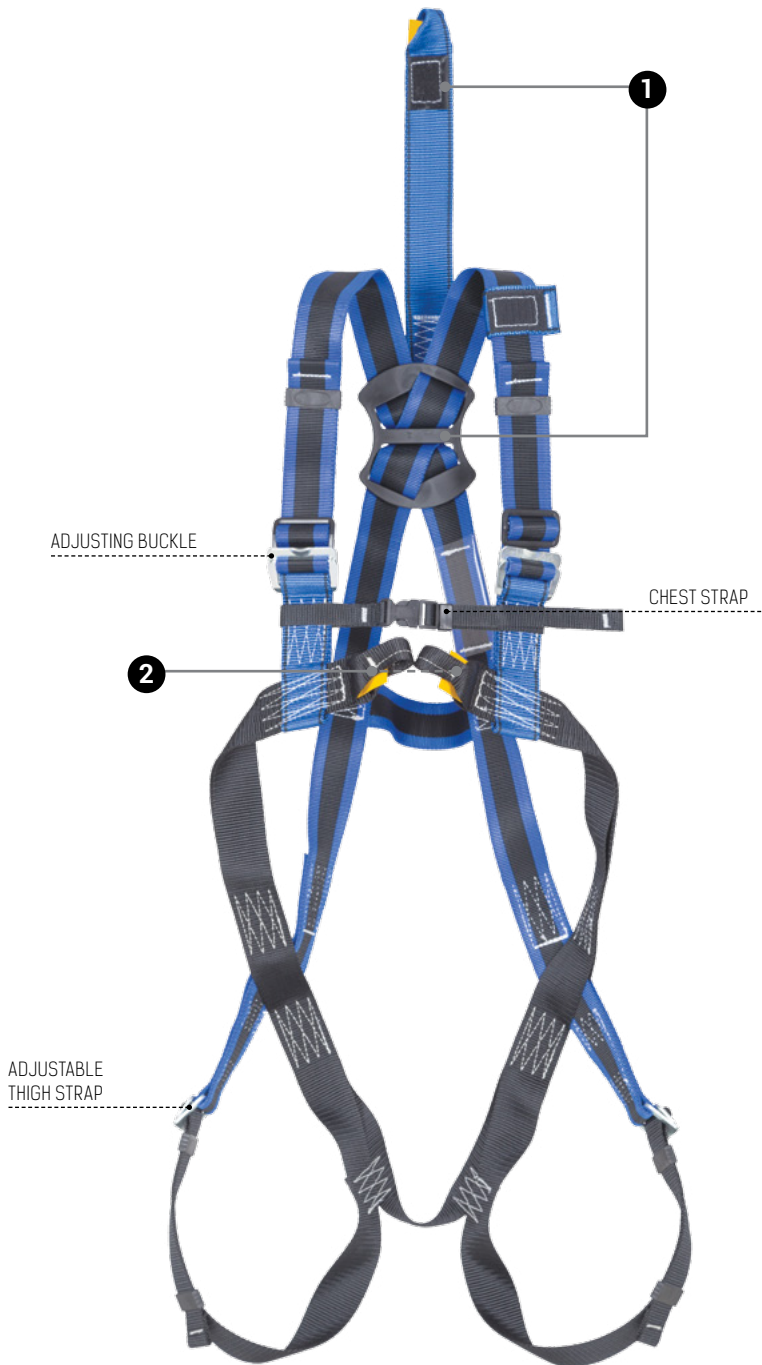
EN 361
Front attachment point

P-30E

Full body harness

EN 361

Ref. no.: AB 130 02



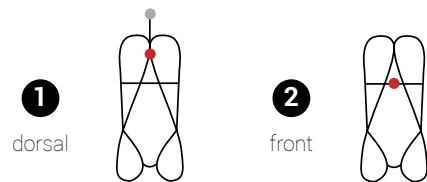
SPECIAL FEATURES



MANUFACTURE

Webbing:	polyester 45mm
Buckles:	galvanized steel
Threads:	polyester

NUMBER OF ATTACHMENT POINTS



VERSION	WEIGHT
M - XL	1235 g
XXL	1305 g

DORSAL ATTACHMENT POINT



EN 361
Dorsal attachment D-ring

FRONT ATTACHMENT POINT



EN 361
Front attachment point

P-30EmX

Full body harness

ENHANCED

EN 361

Ref. no.: AB 130 22

CE



ADJUSTING BUCKLE

CHEST STRAP



2

AUTOMATIC BUCKLE

ADJUSTABLE THIGH STRAP

E ENHANCED ALL AUTOMATIC BUCKLES



SPECIAL FEATURES

 PERMITTED TO WORK IN POTENTIALLY EXPLOSIVE AREAS

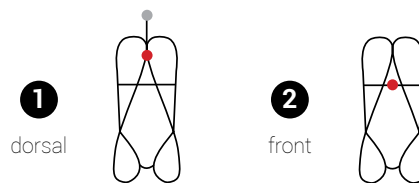
MANUFACTURE

Webbing: polyester 45mm

Buckles: galvanized steel, ABS

Threads: polyester

NUMBER OF ATTACHMENT POINTS



VERSION	WEIGHT
M - XL	1305 g
XXL	1395 g

DORSAL ATTACHMENT POINT



EN 361
Dorsal attachment D-ring

FRONT ATTACHMENT POINT



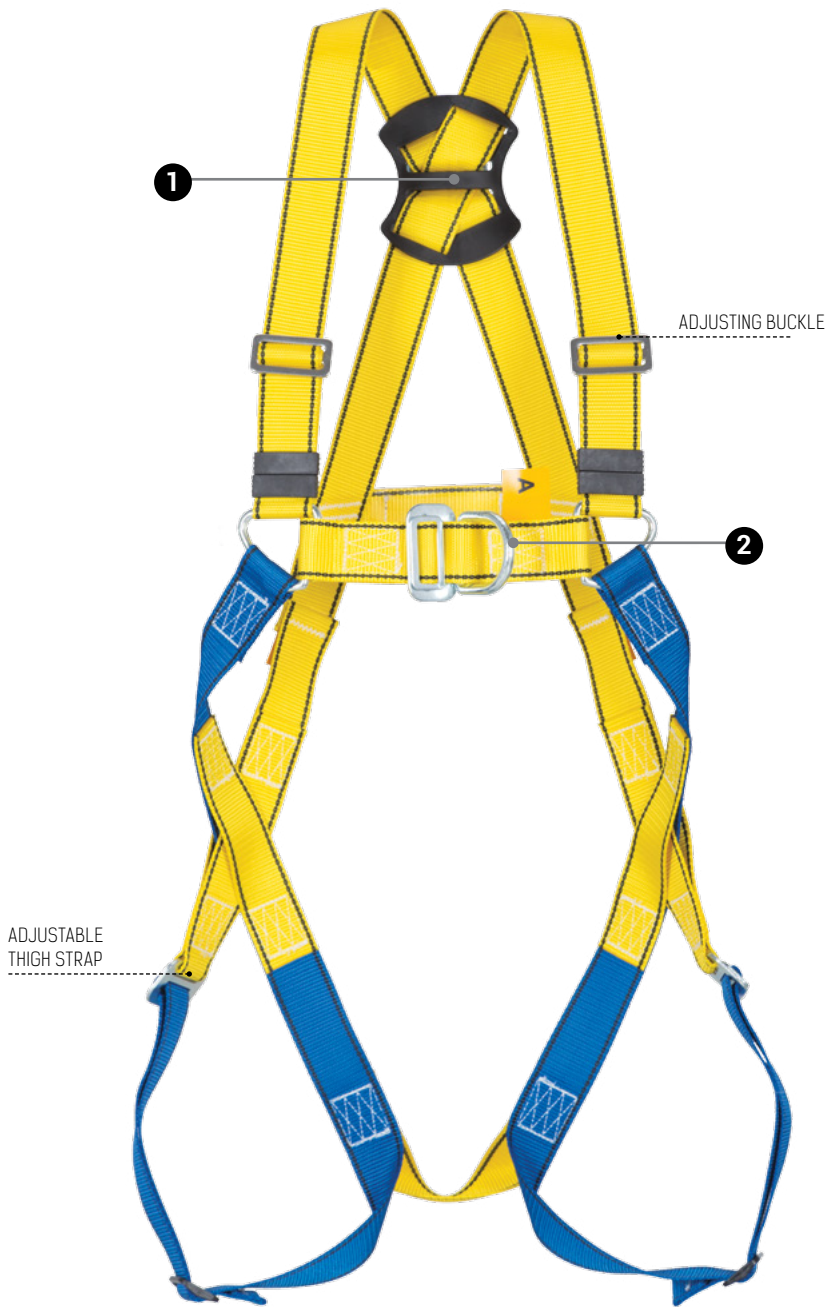
EN 361
Front attachment point

P-35

Full body harness

EN 361

Ref. no.: AB 135 01



MANUFACTURE

Webbing:	polyester 45mm
Buckles:	galvanized steel
Threads:	polyester

NUMBER OF ATTACHMENT POINTS



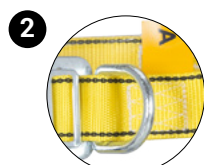
VERSION	WEIGHT
M - XL	1150 g
XXL	1200 g

DORSAL ATTACHMENT POINT



EN 361
Dorsal attachment D-ring

FRONT ATTACHMENT POINT



EN 361
Front attachment point

P-35mX

Full body harness

ENHANCED

EN 361

Ref. no.: AB 135 21



MANUFACTURE

Webbing: polyester 45mm

Buckles: galvanized steel, ABS

Threads: polyester

NUMBER OF ATTACHMENT POINTS



E ENHANCED ALL AUTOMATIC BUCKLES



VERSION	WEIGHT
M - XL	1220 g
XXL	1270 g

DORSAL ATTACHMENT POINT



EN 361

Dorsal attachment D-ring

FRONT ATTACHMENT POINT



EN 361

Front attachment point

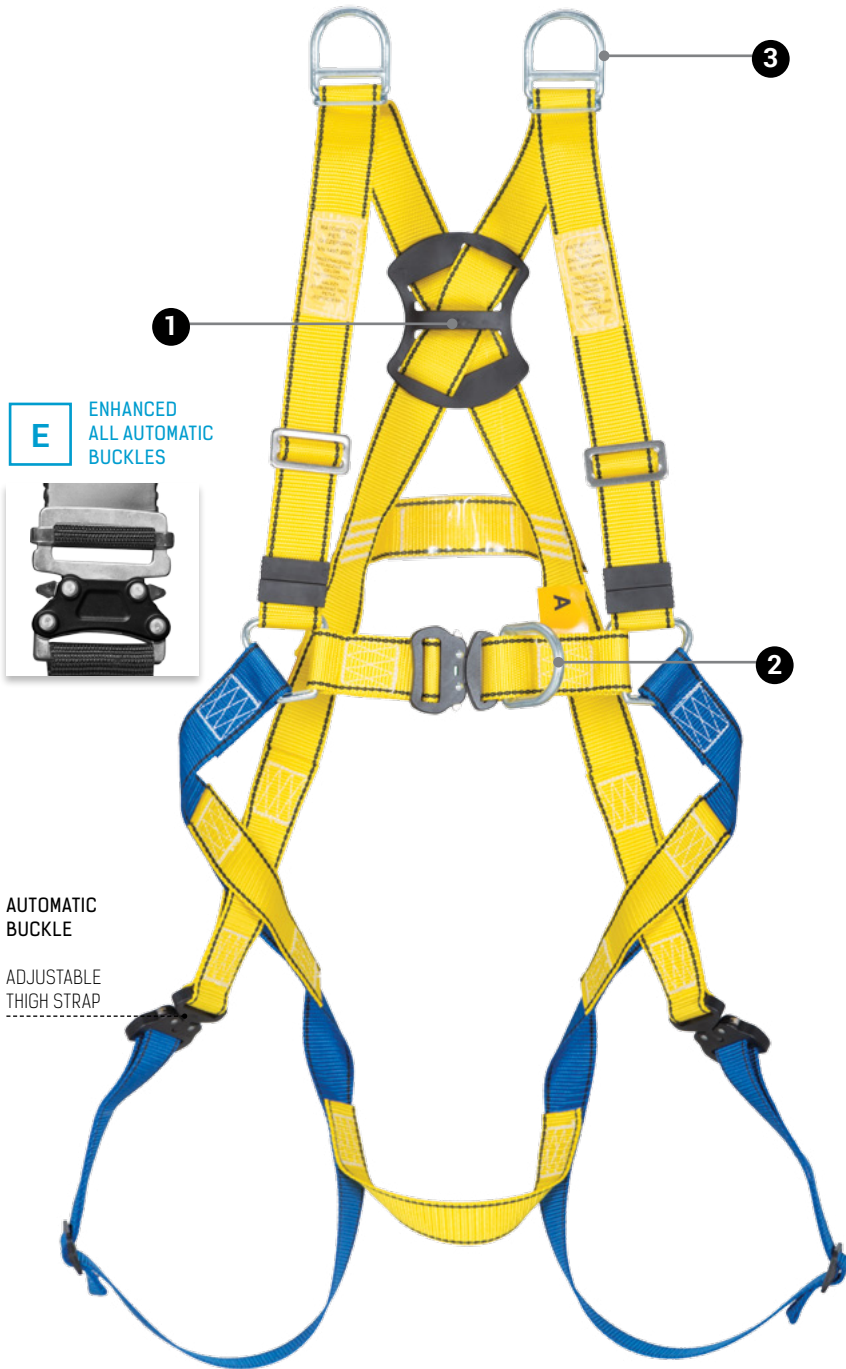
P-35mXR

Full body harness

ENHANCED

EN 361, EN 1497

Ref. no.: AB 135 24



E ENHANCED ALL AUTOMATIC BUCKLES



AUTOMATIC BUCKLE

ADJUSTABLE THIGH STRAP

SPECIAL FEATURES

Tested for maximum user's weight 140 kg

ADAPTED TO COOPERATE WITH A TWO-POINT HITCH AT 300

MANUFACTURE

Webbing: polyester 45mm

Buckles: galvanized steel, ABS

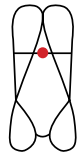
Threads: polyester

NUMBER OF ATTACHMENT POINTS

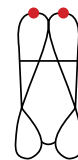
1
dorsal



2
front



3
rescue



VERSION	WEIGHT
M - XL	1395 g
XXL	1475 g

DORSAL ATTACHMENT POINT



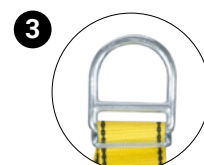
EN 361
Dorsal attachment D-ring

FRONT ATTACHMENT POINT



EN 361
Front attachment point

RESCUE ATTACHMENT POINT



EN 1497
Rescue attachment point

P-35E

Full body harness

EN 361

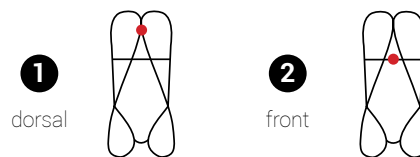
Ref. no.: AB 135 02



MANUFACTURE

Webbing:	polyester 45mm
Buckles:	galvanized steel
Threads:	polyester

NUMBER OF ATTACHMENT POINTS



VERSION	WEIGHT
M - XL	1220 g
XXL	1270 g

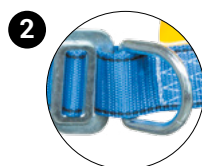
DORSAL ATTACHMENT POINT



EN 361

Dorsal attachment D-ring

FRONT ATTACHMENT POINT



EN 361

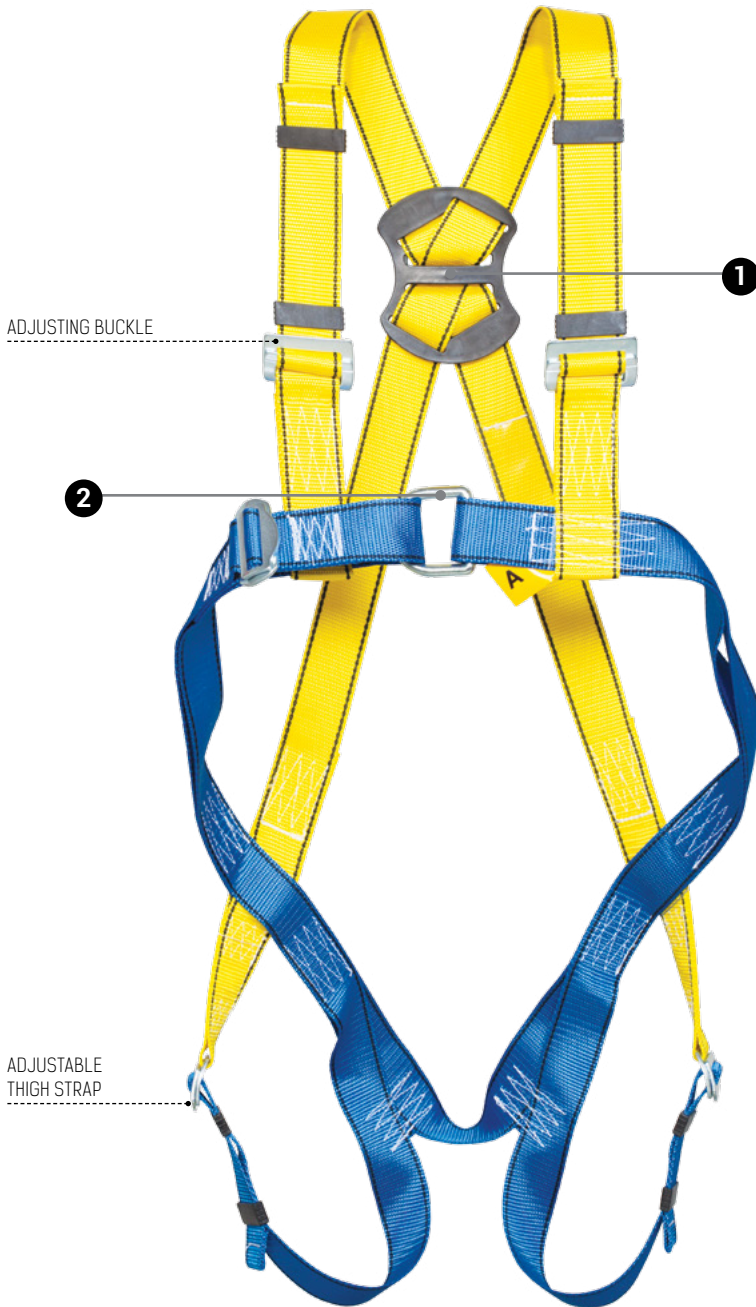
Front attachment point

P-36

Full body harness

EN 361

Ref. no.: AB 136 01



MANUFACTURE

Webbing:	polyester 45mm
Buckles:	galvanized steel
Threads:	polyester

NUMBER OF ATTACHMENT POINTS



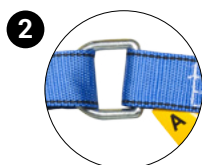
VERSION	WEIGHT
M - XL	1080 g
XXL	1130 g

DORSAL ATTACHMENT POINT



EN 361
Dorsal attachment D-ring

FRONT ATTACHMENT POINT



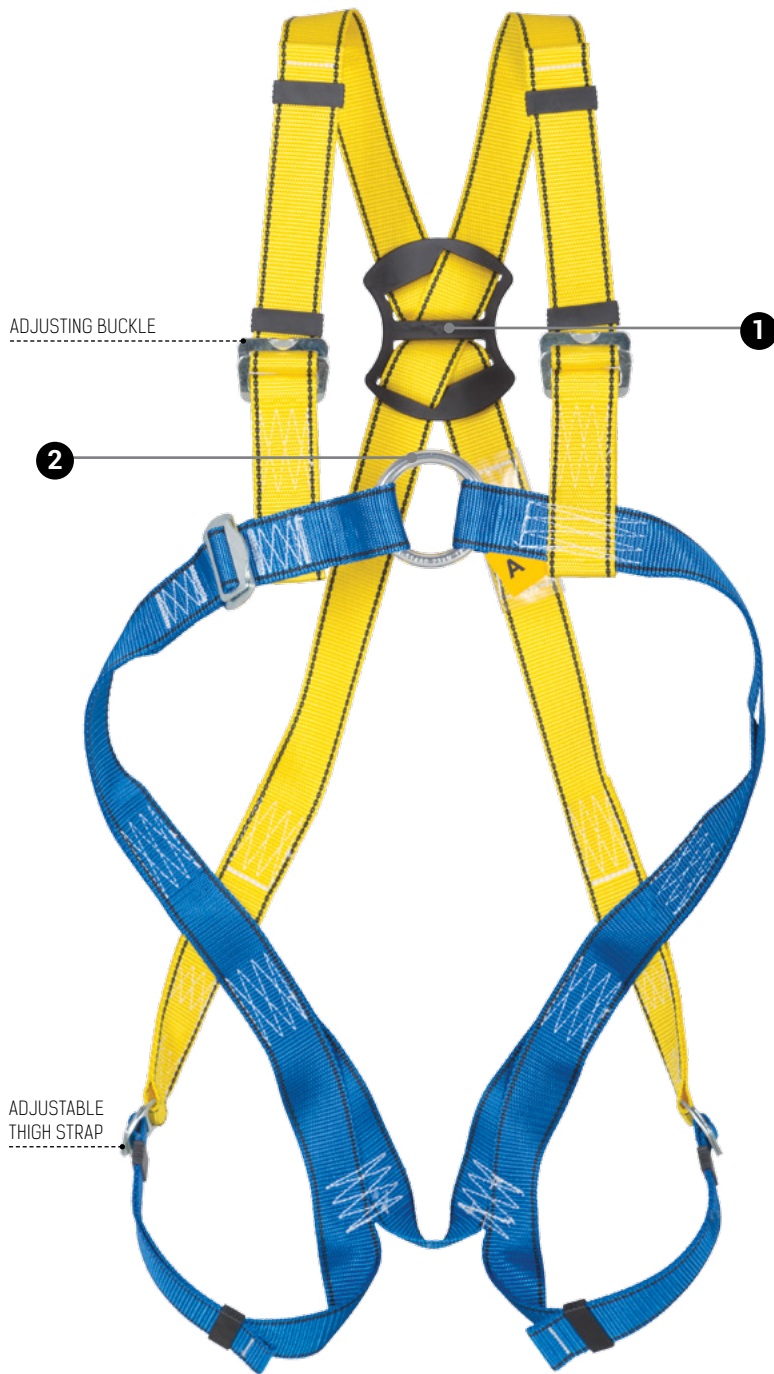
EN 361
Front attachment point

P-36AL

Full body harness

EN 361

Ref. no.: AB 136 04



MANUFACTURE

Webbing:	polyester 45mm
Buckles:	aluminium galvanized steel
Threads:	polyester

NUMBER OF ATTACHMENT POINTS



VERSION	WEIGHT
M - XL	1065 g
XXL	1135 g

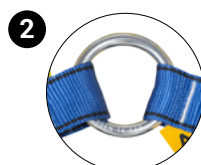
DORSAL ATTACHMENT POINT



EN 361

Dorsal attachment D-ring

FRONT ATTACHMENT POINT



EN 361

Front attachment point

AL

ALUMINIUM BUCKLE

P-36mX

Full body harness

ENHANCED

EN 361

Ref. no.: AB 136 21



MANUFACTURE

Webbing: polyester 45mm

Buckles: galvanized steel, ABS

Threads: polyester

NUMBER OF ATTACHMENT POINTS



1 dorsal

2 front

E ENHANCED ALL AUTOMATIC BUCKLES



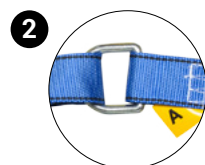
VERSION	WEIGHT
M - XL	1100 g
XXL	1160 g

DORSAL ATTACHMENT POINT



EN 361
Dorsal attachment D-ring

FRONT ATTACHMENT POINT



EN 361
Front attachment point

P-37

Full body harness

EN 361

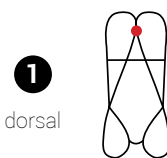
Ref. no.: AB 137 01



MANUFACTURE

Webbing:	polyester
Buckles:	galvanized steel
Threads:	polyester

NUMBER OF ATTACHMENT POINTS



dorsal

EN 361

VERSION	WEIGHT
M - XL	1270 g
XXL	1420 g

DORSAL ATTACHMENT POINT



EN 361

Dorsal attachment D-ring

P-37mX

Full body harness

ENHANCED

EN 361

Ref. no.: AB 137 22



ELASTIC WEBBING

ADJUSTING BUCKLE

E ENHANCED ALL AUTOMATIC BUCKLES



AUTOMATIC BUCKLE

ADJUSTABLE THIGH STRAP

MANUFACTURE

Webbing:	polyester
Buckles:	galvanized steel, ABS
Threads:	polyester

NUMBER OF ATTACHMENT POINTS

1
dorsal



EN 361

VERSION	WEIGHT
M - XL	1330 g
XXL	1470 g

DORSAL ATTACHMENT POINT



EN 361

Dorsal attachment D-ring

P-37R

Full body harness

EN 361, EN 1497

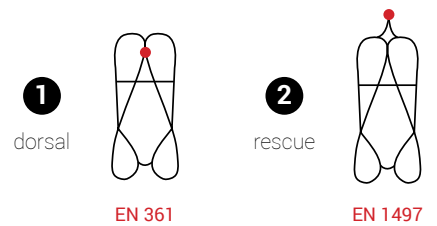
Ref. no.: AB 137 03



MANUFACTURE

Webbing:	polyester
Buckles:	galvanized steel
Threads:	polyester

NUMBER OF ATTACHMENT POINTS



VERSION	WEIGHT
M - XL	1435 g
XXL	1595 g

DORSAL ATTACHMENT POINT



EN 361

Dorsal attachment D-ring

RESCUE ATTACHMENT POINT



EN 1497

Rescue attachment point

P-37mXR

Full body harness

ENHANCED

EN 361, EN 1497

Ref. no.: AB 137 24



E ENHANCED ALL AUTOMATIC BUCKLES



AUTOMATIC BUCKLE

ADJUSTABLE THIGH STRAP

MANUFACTURE

Webbing: polyester
 Buckles: galvanized steel, ABS
 Threads: polyester

NUMBER OF ATTACHMENT POINTS



VERSION	WEIGHT
M - XL	1495 g
XXL	1655 g

DORSAL ATTACHMENT POINT



EN 361
Dorsal attachment D-ring

RESCUE ATTACHMENT POINT



EN 1497
Rescue attachment point

P-39

Full body harness

EN 361

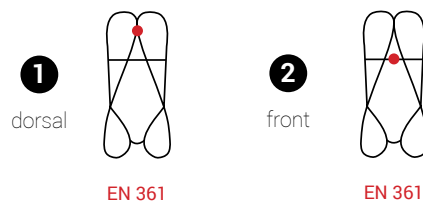
Ref. no.: AB 139 01



MANUFACTURE

Webbing:	polyester
Buckles:	galvanized steel
Threads:	polyester

NUMBER OF ATTACHMENT POINTS



VERSION	WEIGHT
M - XL	1380g
XXL	1520 g

DORSAL ATTACHMENT POINT



EN 361

Dorsal attachment D-ring

FRONT ATTACHMENT POINT



EN 361

Front attachment point

P-39mX

Full body harness

ENHANCED

EN 361, EN 1497

Ref. no.: AB 139 22



E ENHANCED ALL AUTOMATIC BUCKLES



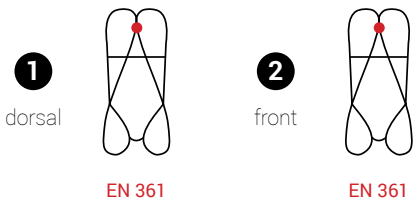
AUTOMATIC BUCKLE

ADJUSTABLE THIGH STRAP

MANUFACTURE

Webbing: polyester
Buckles: galvanized steel, ABS
Threads: polyester

NUMBER OF ATTACHMENT POINTS



VERSION	WEIGHT
M - XL	1445g
XXL	1585 g

DORSAL ATTACHMENT POINT



EN 361

Dorsal attachment D-ring

FRONT ATTACHMENT POINT



EN 361

Front attachment point

P-39R

Full body harness

EN 361, EN 1497

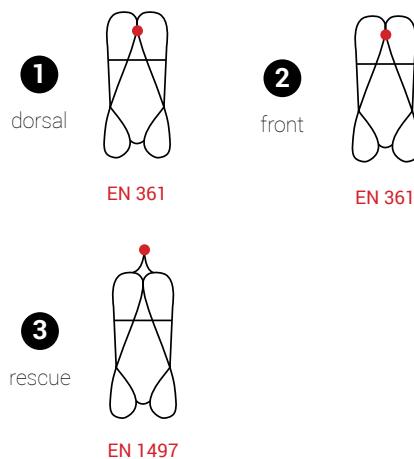
Ref. no.: AB 139 03



MANUFACTURE

Webbing:	polyester
Buckles:	galvanized steel
Threads:	polyester

NUMBER OF ATTACHMENT POINTS



VERSION	WEIGHT
M - XL	1550g
XXL	1690 g

DORSAL ATTACHMENT POINT



EN 361

Dorsal attachment D-ring

FRONT ATTACHMENT POINT



EN 361

Front attachment point

RESCUE ATTACHMENT POINT



EN 1497

Rescue attachment point

P-39mXR

Full body harness

ENHANCED

EN 361, EN 1497

Ref. no.: AB 139 24



E ENHANCED ALL AUTOMATIC BUCKLES



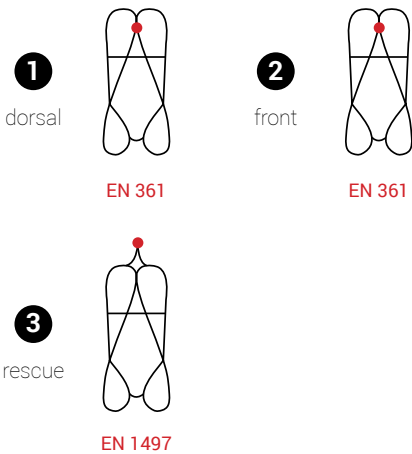
AUTOMATIC BUCKLE

ADJUSTABLE THIGH STRAP

MANUFACTURE

Webbing: polyester
 Buckles: galvanized steel, ABS
 Threads: polyester

NUMBER OF ATTACHMENT POINTS



VERSION	WEIGHT
M - XL	1610g
XXL	1760 g

DORSAL ATTACHMENT POINT



1 EN 361
Dorsal attachment D-ring

FRONT ATTACHMENT POINT



2 EN 361
Front attachment point

RESCUE ATTACHMENT POINT



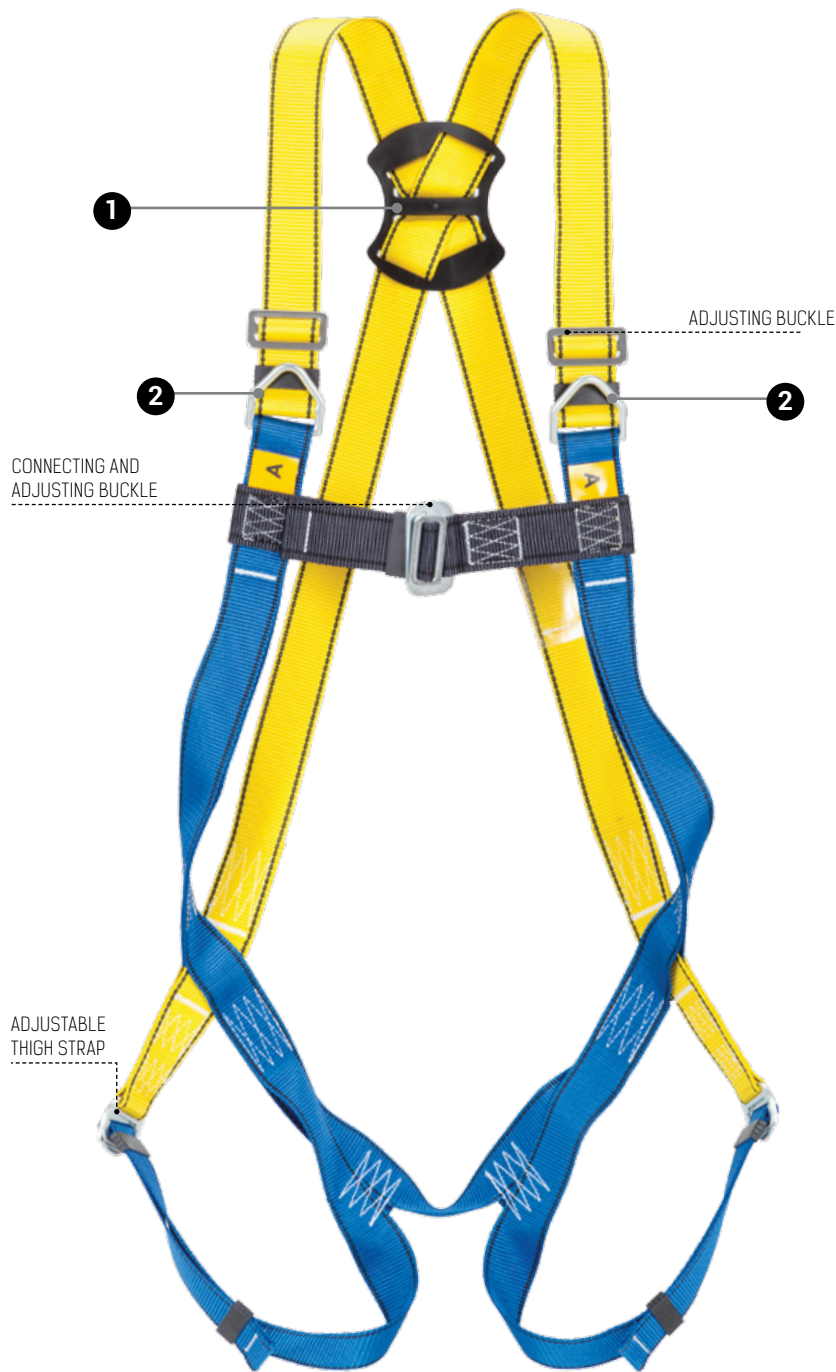
3 EN 1497
Rescue attachment point

P-40

Full body harness

EN 361

Ref. no.: AB 140 01



SPECIAL FEATURES



PREMITTED TO WORK IN POTENTIALLY EXPLOSIVE AREAS



ADAPTED TO COOPERATE WITH A TWO-POINT HITCH AT 300

MANUFACTURE

Webbing:	polyester 45 mm
Buckles:	galvanized steel
Threads:	polyester

NUMBER OF ATTACHMENT POINTS

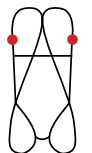
1

dorsal



2

dorsal



DORSAL ATTACHMENT POINT

1

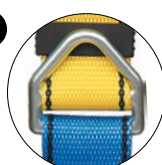


EN 361

Dorsal attachment D-ring

FRONT ATTACHMENT POINT

2



EN 361

Front attachment point

P-40A

Full body harness

EN 361

Ref. no.: AB 141 01



SPECIAL FEATURES

 ADAPTED TO COOPERATE WITH A TWO-POINT HITCH AT 300

MANUFACTURE

Webbing:	polyester 45 mm
Buckles:	stainless steel
Threads:	polyester

NUMBER OF ATTACHMENT POINTS



ADJUSTABLE THIGH STRAP

VERSION	WEIGHT
M - XL	1260g
XXL	1310 g

DORSAL ATTACHMENT POINT



EN 361

Dorsal attachment D-ring

FRONT ATTACHMENT POINT



EN 361

Front attachment point

P-40mX

Full body harness

ENHANCED

EN 361

Ref. no.: AB 140 21

CE



E ENHANCED ALL AUTOMATIC BUCKLES



SPECIAL FEATURES

 ADAPTED TO COOPERATE WITH A TWO-POINT HITCH AT 300

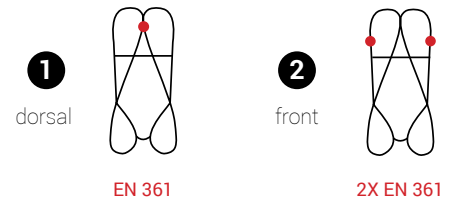
MANUFACTURE

Webbing: polyester 45mm

Buckles: galvanized steel, ABS

Threads: polyester

NUMBER OF ATTACHMENT POINTS



VERSION WEIGHT

M - XL 1090g

XXL 1240 g

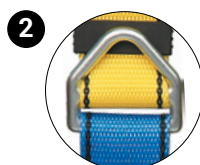
DORSAL ATTACHMENT POINT



EN 361

Dorsal attachment D-ring

DORSAL ATTACHMENT POINT



EN 361

Front attachment point

P-42

Full body harness

EN 361, EN 358

Ref. no.: AB 142 01



SPECIAL FEATURES



PERMITTED TO WORK IN POTENTIALLY EXPLOSIVE AREAS

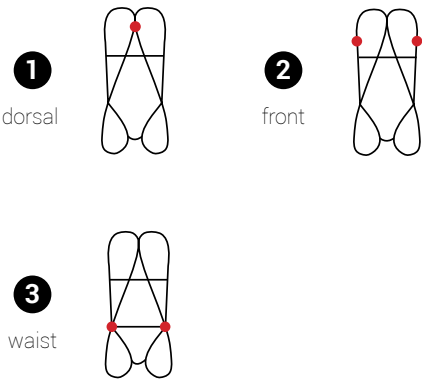


ADAPTED TO COOPERATE WITH A TWO-POINT HITCH AT 300

MANUFACTURE

Webbing:	polyester 45 mm
Buckles:	galvanized steel
Threads:	polyester

NUMBER OF ATTACHMENT POINTS



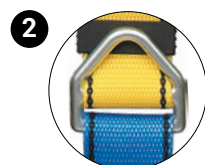
VERSION	WEIGHT
M - XL	1530g
XXL	1750 g

DORSAL ATTACHMENT POINT



EN 361
Dorsal attachment D-ring

DORSAL ATTACHMENT POINT



EN 361
Front attachment point

BELT



EN 358
Work positioning belt with side attachment buckles

P-50

Full body harness

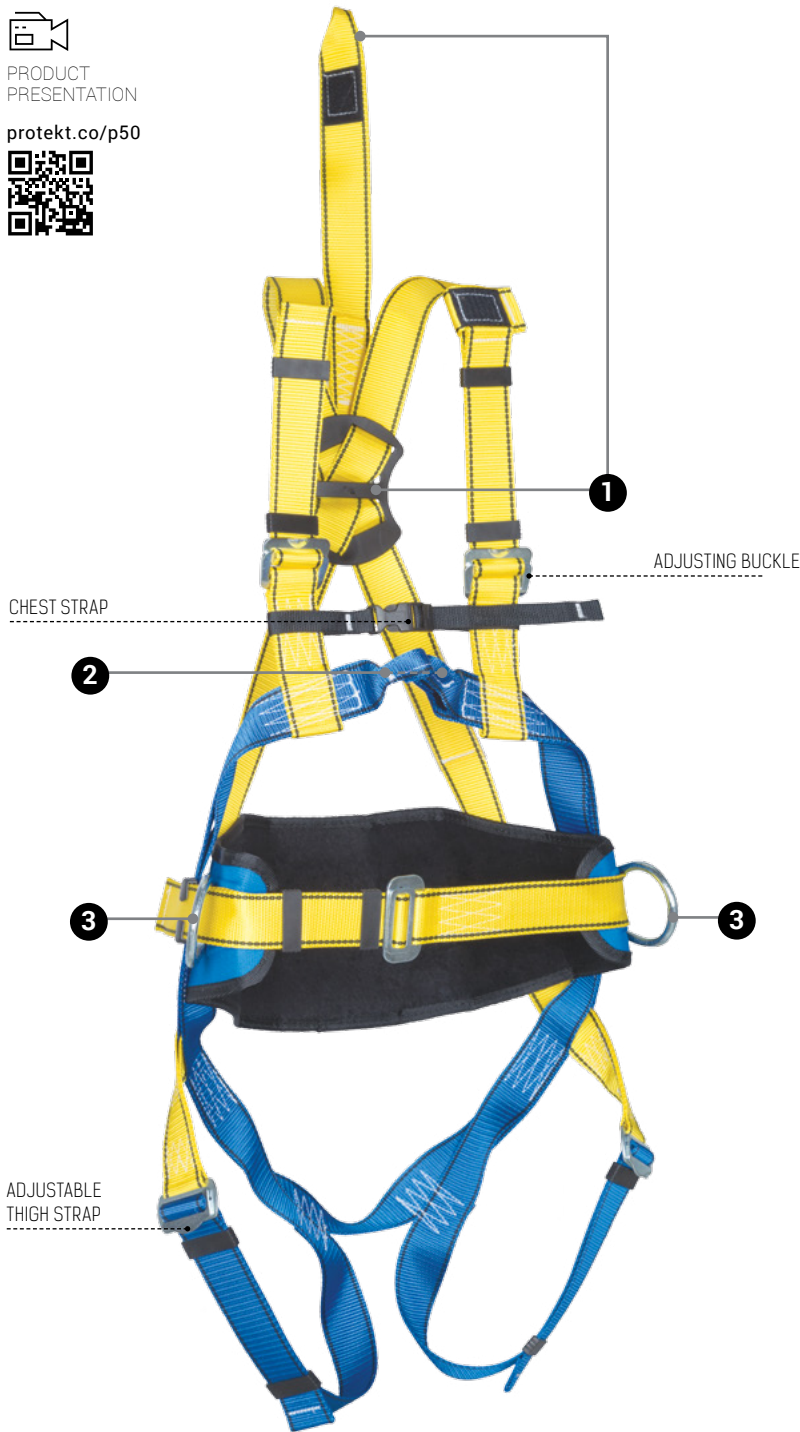
EN 361, EN 358

Ref. no.: AB 150 01



PRODUCT
PRESENTATION

protekt.co/p50



SPECIAL FEATURES

 **Protection up to 140 Kg**

 **PERMITTED TO WORK IN POTENTIALLY EXPLOSIVE AREAS**

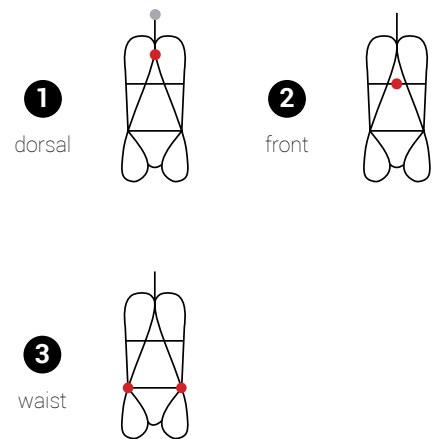
MANUFACTURE

Webbing: polyester 45 mm

Buckles: galvanized steel

Threads: polyester

NUMBER OF ATTACHMENT POINTS



VERSION	WEIGHT
M - XL	1640g
XXL	1790 g

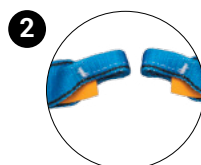
DORSAL ATTACHMENT POINT



EN 361

Dorsal attachment D-ring

FRONT ATTACHMENT POINT



EN 361

Front attachment point

BELT



EN 358

Work positioning belt with side attachment buckles

P-56

Full body harness

EN 361, EN 358

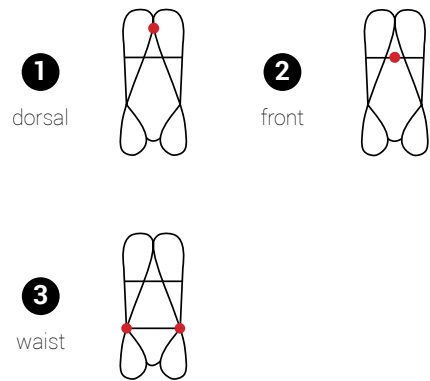
Ref. no.: AB 156 01



MANUFACTURE

Webbing:	polyester 45 mm
Buckles:	galvanized steel
Threads:	polyester

NUMBER OF ATTACHMENT POINTS



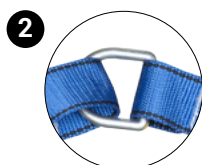
VERSION	WEIGHT
M - XL	1500 g
XXL	1640 g

DORSAL ATTACHMENT POINT



EN 361
Dorsal attachment D-ring

FRONT ATTACHMENT POINT



EN 361
Front attachment point

BELT



EN 358
Work positioning belt
with side attachment buckles

P-56AL2

Full body harness

EN 361, EN 358

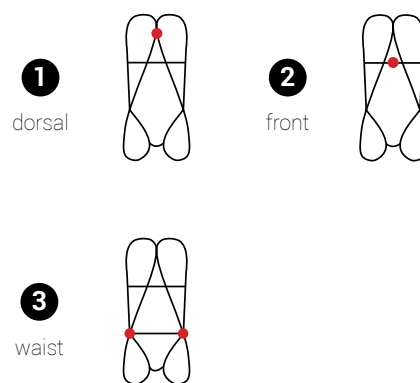
Ref. no.: AB 156 05



MANUFACTURE

Webbing:	polyester 45mm
Buckles:	aluminium galvanized steel
Threads:	polyester

NUMBER OF ATTACHMENT POINTS



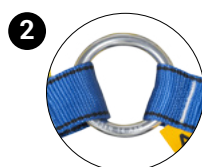
VERSION	WEIGHT
M - XL	2380 g
XXL	2510 g

DORSAL ATTACHMENT POINT



EN 361
Dorsal attachment D-ring

FRONT ATTACHMENT POINT



EN 361
Front attachment point

AL
ALUMINIUM
BUCKLE

BELT



EN 358
Work positioning belt
with side attachment buckles

P-56mX

Full body harness

ENHANCED

EN 361, EN 358

Ref. no.: AB 140 21



MANUFACTURE

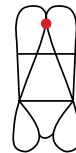
Webbing: polyester 45mm

Buckles: galvanized steel, ABS

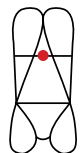
Threads: polyester

NUMBER OF ATTACHMENT POINTS

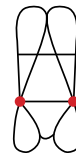
1 dorsal



2 front



3 waist



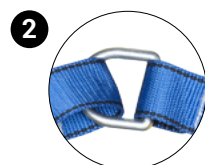
VERSION	WEIGHT
M - XL	1530 g
XXL	1670 g

DORSAL ATTACHMENT POINT



EN 361
Dorsal attachment D-ring

FRONT ATTACHMENT POINT



EN 361
Front attachment point

BELT



EN 358
Work positioning belt with side attachment buckles

P-58mX

Full body harness

ENHANCED

EN 361, EN 358

Ref. no.: AB 158 21

CE



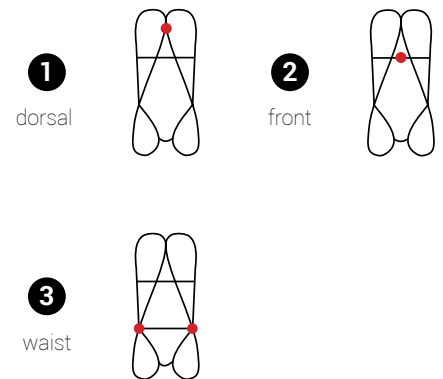
MANUFACTURE

Webbing: polyester 45mm

Buckles: galvanized steel, ABS

Threads: polyester

NUMBER OF ATTACHMENT POINTS



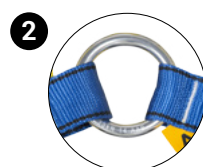
DORSAL ATTACHMENT POINT



EN 361

Dorsal attachment D-ring

FRONT ATTACHMENT POINT



EN 361

Front attachment point

BELT



EN 358

Work positioning belt with side attachment buckles

VERSION	WEIGHT
M - XL	2380 g
XXL	2210g

P-33EL

Full body harness

EN 361

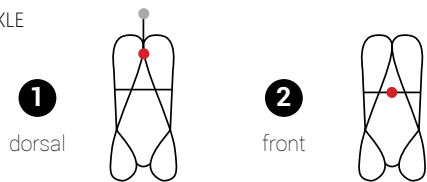
Ref. no.: AB 133 01



MANUFACTURE

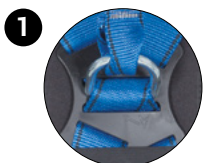
Webbing:	polyester 45 mm
Buckles:	galvanized steel
Threads:	polyester

NUMBER OF ATTACHMENT POINTS



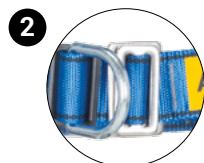
VERSION	WEIGHT
M - XL	1500 g
XXL	1660 g

DORSAL ATTACHMENT POINT



EN 361
Dorsal attachment D-ring

FRONT ATTACHMENT POINT



EN 361
Front attachment point

P-34EL

Full body harness

EN 361

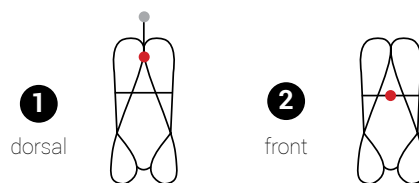
Ref. no.: AB 134 01



MANUFACTURE

Webbing:	polyester 45 mm
Buckles:	galvanized steel
Threads:	polyester

NUMBER OF ATTACHMENT POINTS



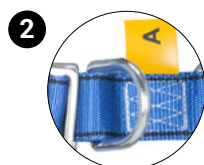
VERSION	WEIGHT
M - XL	1600 g
XXL	1700 g

DORSAL ATTACHMENT POINT



EN 361
Dorsal attachment D-ring

FRONT ATTACHMENT POINT



EN 361
Front attachment point

P-12mX PRO

Full body harness

ENHANCED

EN 361

Ref. no.: AB 112 21



SPECIAL FEATURES



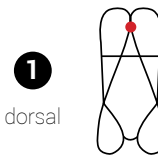
MANUFACTURE

Webbing: polyester 45mm

Buckles: automatic aluminium galvanized steel

Threads: polyester

NUMBER OF ATTACHMENT POINTS



E ENHANCED ALL AUTOMATIC BUCKLES



VERSION	WEIGHT
M - XL	1115 g
XXL	1165 g

DORSAL ATTACHMENT POINT



EN 361

Dorsal attachment D-ring

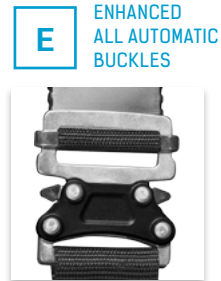
P-22mX PRO

Full body harness

ENHANCED

EN 361, EN 358

Ref. no.: AB 122 21



AUTOMATIC BUCKLE
ADJUSTABLE THIGH STRAP

SPECIAL FEATURES

 **PREMITTED TO WORK IN POTENTIALLY EXPLOSIVE AREAS**

MANUFACTURE

Webbing: polyester 45mm

Buckles: galvanized steel, ABS

Threads: polyester

NUMBER OF ATTACHMENT POINTS



VERSION WEIGHT

M - XL 1450 g

XXL 1550 g

DORSAL ATTACHMENT POINT



EN 361
Dorsal attachment D-ring

BELT



EN 358
Work positioning belt
with side attachment buckles

P-32mX PRO

Full body harness

ENHANCED

EN 361

Ref. no.: AB 132 21



PRODUCT PRESENTATION

protekt.co/p32pro



SPECIAL FEATURES



PERMITTED TO WORK IN POTENTIALLY EXPLOSIVE AREAS

MANUFACTURE

Webbing: polyester 45mm

Buckles: galvanized steel, ABS

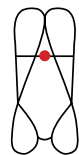
Threads: polyester

NUMBER OF ATTACHMENT POINTS

1 dorsal



2 waist



E ENHANCED ALL AUTOMATIC BUCKLES



AUTOMATIC BUCKLE

ADJUSTABLE THIGH STRAP

VERSION	WEIGHT
M - XL	1650 g
XXL	1750 g

DORSAL ATTACHMENT POINT



EN 361

Dorsal attachment D-ring

FRONT ATTACHMENT POINT



EN 361

Front attachment point

P-52mX PRO

Full body harness

ENHANCED

EN 361, EN 358

Ref. no.: AB 152 21



SPECIAL FEATURES



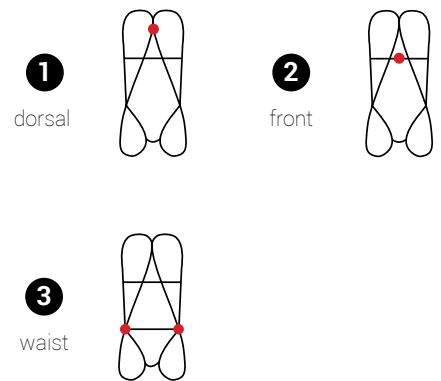
MANUFACTURE

Webbing: polyester 45mm

Buckles: galvanized steel, ABS

Threads: polyester

NUMBER OF ATTACHMENT POINTS



VERSION	WEIGHT
M - XL	1650 g
XXL	1750 g

DORSAL ATTACHMENT POINT



EN 361

Dorsal attachment D-ring

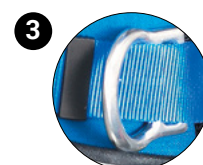
FRONT ATTACHMENT POINT



EN 361

Front attachment point

BELT



EN 358

Work positioning belt with side attachment buckles

P-51E

Full body harness

ENHANCED

EN 361, EN 358

Ref. no.: AB 155 21



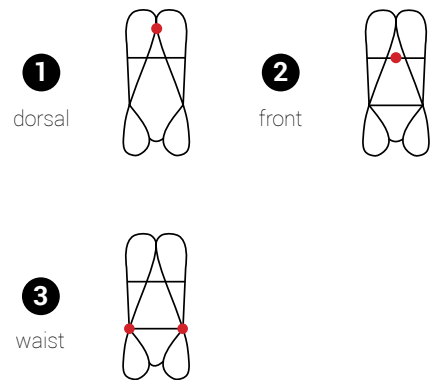
SPECIAL FEATURES

PERMITTED TO WORK IN POTENTIALLY EXPLOSIVE AREAS

MANUFACTURE

Webbing: polyester 45 mm
 Buckles: galvanized steel, ABS
 Threads: polyester

NUMBER OF ATTACHMENT POINTS



VERSION	WEIGHT
M - XL	1945 g
XXL	2080 g

E ENHANCED ALL AUTOMATIC BUCKLES



DORSAL ATTACHMENT POINT



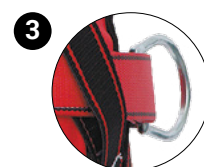
EN 361
Dorsal attachment D-ring

FRONT ATTACHMENT POINT



EN 361
Front attachment point

BELT



EN 358
Work positioning belt with side attachment buckles

P-51EmX ISOL Full body harness

ENHANCED

EN 361, EN 358

Ref. no.: AB 155 22



CHEST STRAP



ISOLATED ADJUSTING BUCKLE

AUTOMATIC BUCKLE

ADJUSTABLE THIGH STRAP

E ENHANCED ALL AUTOMATIC BUCKLES



SPECIAL FEATURES

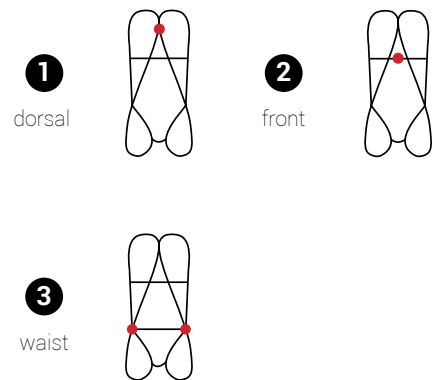


PREMITTED TO WORK IN POTENTIALLY EXPLOSIVE AREAS

MANUFACTURE

Webbing:	polyester 45 mm
Buckles:	galvanized steel, ABS
Threads:	polyester

NUMBER OF ATTACHMENT POINTS



VERSION WEIGHT

M - XL 2105 g

XXL 2240 g

DORSAL ATTACHMENT POINT



EN 361

Dorsal attachment D-ring

FRONT ATTACHMENT POINT



EN 361

Front attachment point

BELT



EN 358

Work positioning belt with isolated side attachment buckles

P-51EmX/LT401

Full body harness

ENHANCED

EN 361, EN 358

Ref. no.: AB 155 21/LT 401



E ENHANCED ALL AUTOMATIC BUCKLES



AUTOMATIC BUCKLE

ADJUSTABLE THIGH STRAP

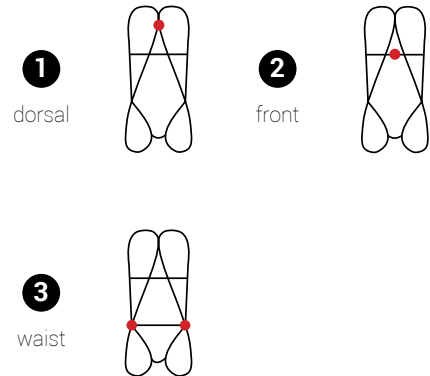
SPECIAL FEATURES

PERMITTED TO WORK IN POTENTIALLY EXPLOSIVE AREAS

MANUFACTURE

Webbing: polyester 45 mm
 Buckles: galvanized steel, ABS
 Threads: polyester

NUMBER OF ATTACHMENT POINTS



VERSION	WEIGHT
M - XL	2035 g
XXL	2170 g

DORSAL ATTACHMENT POINT



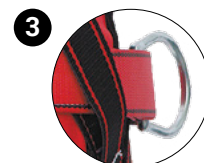
EN 361
Dorsal attachment D-ring

FRONT ATTACHMENT POINT



EN 361
Front attachment point

BELT



EN 358
Work positioning belt with side attachment buckles

P-60

Full body harness

EN 361, EN 358

Ref. no.: AB 160 01



PRODUCT
PRESENTATION

protekt.co/p60



SPECIAL FEATURES

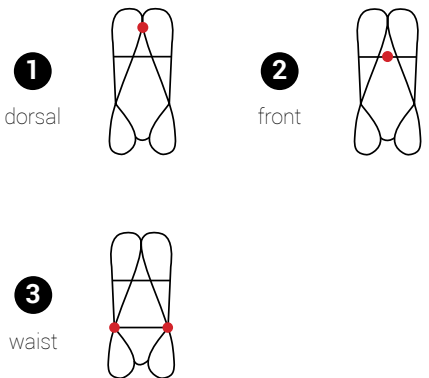


PREMITTED TO WORK IN
POTENTIALLY EXPLOSIVE AREAS

MANUFACTURE

Webbing:	polyester 45 mm
Buckles:	galvanized steel
Threads:	polyester

NUMBER OF ATTACHMENT POINTS



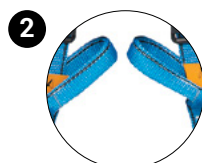
DORSAL ATTACHMENT POINT



EN 361

Dorsal attachment D-ring

FRONT ATTACHMENT POINT



EN 361

Front attachment point

BELT



EN 358

Work positioning belt
with side attachment buckles

P-60E

Full body harness

EN 361, EN 358

Ref. no.: AB 160 02



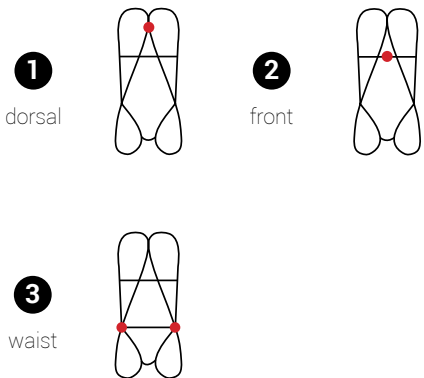
SPECIAL FEATURES



MANUFACTURE

Webbing:	polyester 45 mm
Buckles:	galvanized steel
Threads:	polyester

NUMBER OF ATTACHMENT POINTS

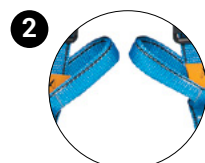


DORSAL ATTACHMENT POINT



EN 361
Dorsal attachment D-ring

FRONT ATTACHMENT POINT



EN 361
Front attachment point

BELT



EN 358
Work positioning belt with side attachment buckles

P-61

Full body harness

EN 361, EN 358

Ref. no.: AB 161 01



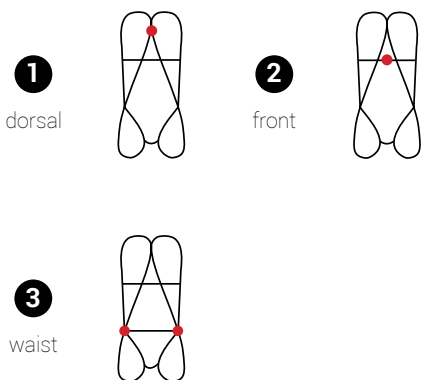
SPECIAL FEATURES



MANUFACTURE

Webbing:	polyester 45 mm
Buckles:	galvanized steel
Threads:	polyester

NUMBER OF ATTACHMENT POINTS



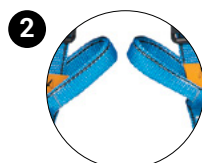
VERSION	WEIGHT
M - XL	1880 g
XXL	1960 g

DORSAL ATTACHMENT POINT



EN 361
Dorsal attachment D-ring

FRONT ATTACHMENT POINT



EN 361
Front attachment point

BELT



EN 358
Work positioning belt with side attachment buckles

P-61mX

Full body harness

ENHANCED

EN 361, EN 358

Ref. no.: AB 161 21



E ENHANCED ALL AUTOMATIC BUCKLES

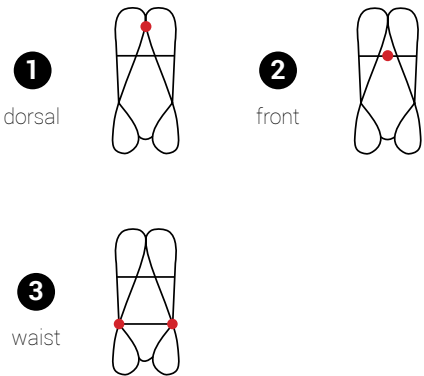


AUTOMATIC BUCKLE
ADJUSTABLE THIGH STRAP

MANUFACTURE

Webbing: polyester 45 mm
Buckles: galvanized steel, ABS
Threads: polyester

NUMBER OF ATTACHMENT POINTS



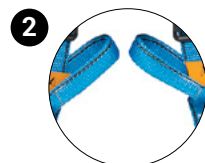
VERSION	WEIGHT
M - XL	2145 g
XXL	2300 g

DORSAL ATTACHMENT POINT



EN 361
Dorsal attachment D-ring

FRONT ATTACHMENT POINT



EN 361
Front attachment point

BELT



EN 358
Work positioning belt with side attachment buckles

P-61E

Full body harness

EN 361, EN 358

Ref. no.: AB 161 02



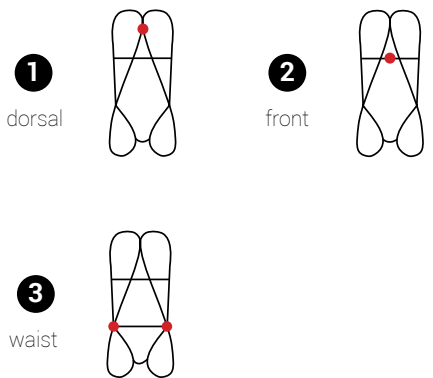
SPECIAL FEATURES



MANUFACTURE

Webbing:	polyester 45 mm
Buckles:	galvanized steel
Threads:	polyester

NUMBER OF ATTACHMENT POINTS



VERSION	WEIGHT
M - XL	1880 g
XXL	1960 g

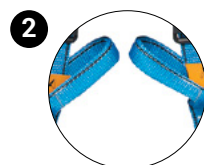
DORSAL ATTACHMENT POINT



EN 361

Dorsal attachment D-ring

FRONT ATTACHMENT POINT



EN 361

Front attachment point

BELT



EN 358

Work positioning belt with side attachment buckles

P-61EmX

Full body harness

ENHANCED

EN 361, EN 358

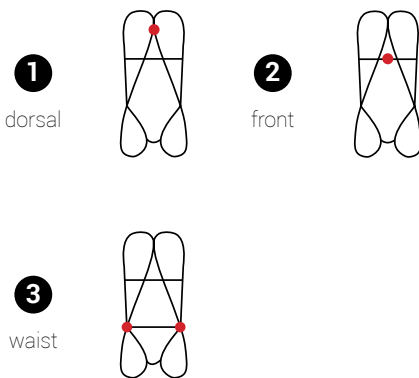
Ref. no.: AB 161 22



MANUFACTURE

Webbing:	polyester 45 mm
Buckles:	galvanized steel, ABS
Threads:	polyester

NUMBER OF ATTACHMENT POINTS



DORSAL ATTACHMENT POINT



EN 361
Dorsal attachment D-ring

FRONT ATTACHMENT POINT



EN 361
Front attachment point

BELT



EN 358
Work positioning belt with side attachment buckles

P-62EmX

Full body harness

ENHANCED

EN 361, EN 358

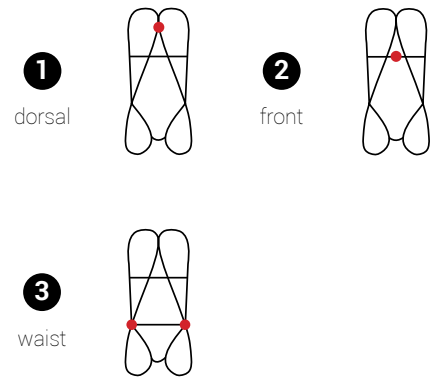
Ref. no.: AB 162 21



MANUFACTURE

Webbing:	polyester 45mm
Buckles:	galvanized steel, ABS
Threads:	polyester

NUMBER OF ATTACHMENT POINTS



E ENHANCED ALL AUTOMATIC BUCKLES



VERSION	WEIGHT
M - XL	2370 g
XXL	2490 g

DORSAL ATTACHMENT POINT



EN 361
Dorsal attachment D-ring

FRONT ATTACHMENT POINT



EN 361
Front attachment point

BELT



EN 358
Work positioning belt with side attachment buckles

P-30N

Full body harness

EN 361

Ref. no.: AB 131 01



SPECIAL FEATURES



Tested for maximum user's weight 140 kg



PERMITTED TO WORK IN POTENTIALLY EXPLOSIVE AREAS



RESISTANCE TO FLAME IN ACCORDANCE WITH EN 358 P.4.1.5 STANDARD

MANUFACTURE

Webbing:	polyester 45 mm
Buckles:	galvanized steel
Threads:	polyester

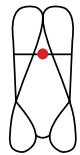
NUMBER OF ATTACHMENT POINTS

1 dorsal



EN 361

2 front



EN 361

VERSION	WEIGHT
M - XL	1030 g
XXL	1090 g

DORSAL ATTACHMENT POINT



EN 361

Dorsal attachment D-ring

FRONT ATTACHMENT POINT



EN 361

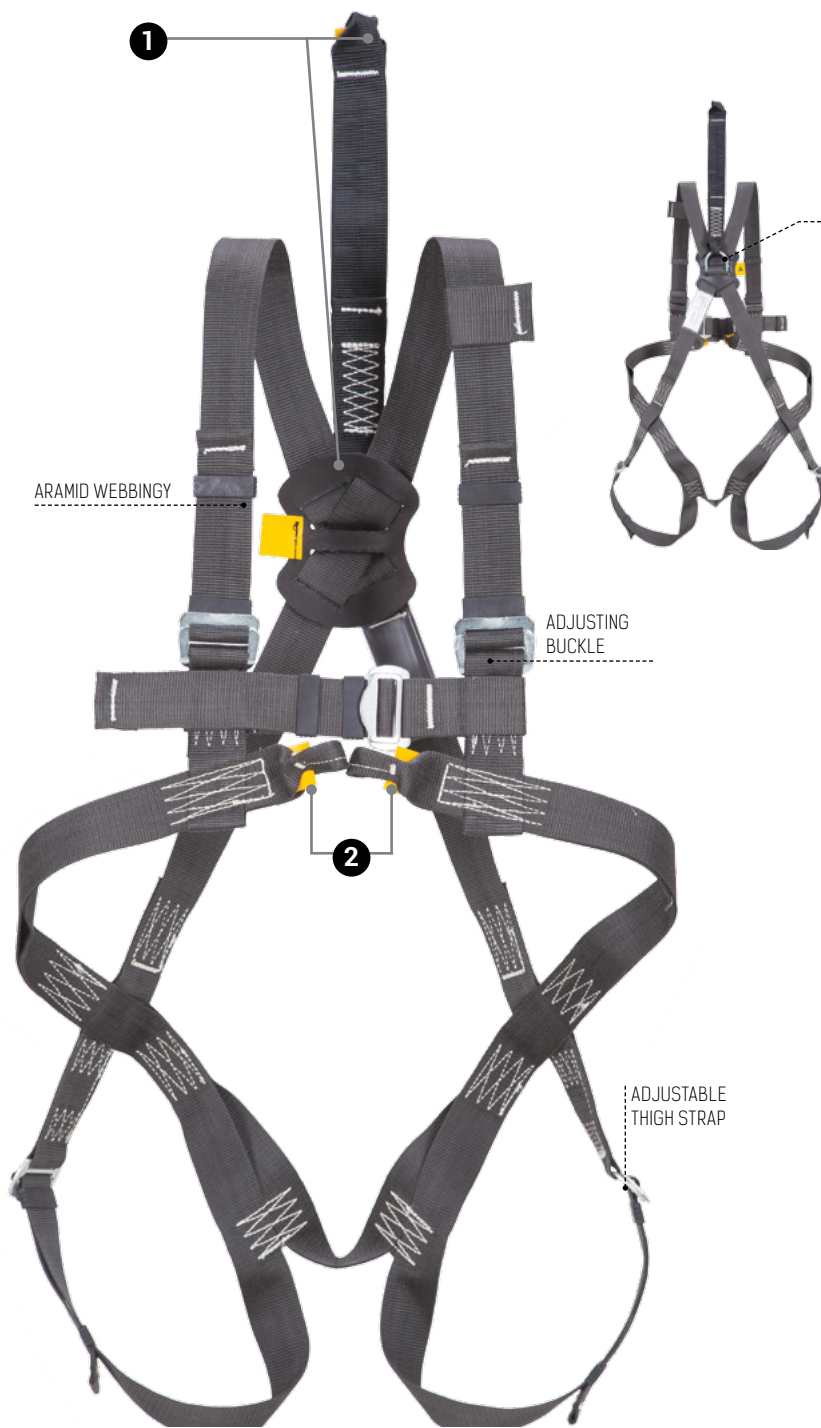
Front attachment point

P-30NR

Full body harness

EN 361, EN 1497

Ref. no.: AB 131 02




NATURAL LEATHER CROSSING PLATE

SPECIAL FEATURES

 **Tested for maximum user's weight 140 kg**

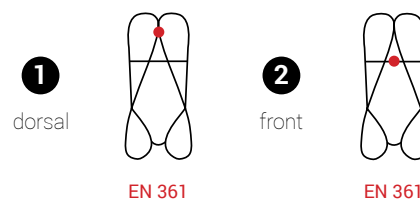
 **PERMITTED TO WORK IN POTENTIALLY EXPLOSIVE AREAS**

 **RESISTANCE TO FLAME IN ACCORDANCE WITH EN 358 P.4.1.5 STANDARD**

MANUFACTURE

Webbing:	polyester 45 mm
Buckles:	galvanized steel
Threads:	polyester

NUMBER OF ATTACHMENT POINTS



DORSAL ATTACHMENT POINT



EN 361
Dorsal attachment D-ring

FRONT ATTACHMENT POINT



EN 361
Front attachment point

VERSION	WEIGHT
M - XL	1030 g
XXL	1090 g

P-50NmX

Full body harness

EN 361, EN 358

Ref. no.: AB 159 21



SPECIAL FEATURES

Tested for maximum user's weight 140 kg

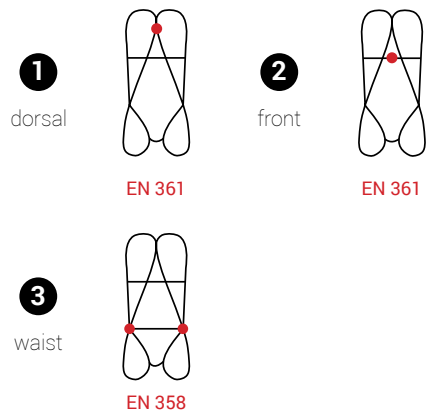
PERMITTED TO WORK IN POTENTIALLY EXPLOSIVE AREAS

RESISTANCE TO FLAME IN ACCORDANCE WITH EN 358 P.4.1.5 STANDARD

MANUFACTURE

Webbing:	polyester 45 mm
Buckles:	automatic aluminium
Threads:	polyester

NUMBER OF ATTACHMENT POINTS



VERSION	WEIGHT
M - XL	1600 g
XXL	1680 g

DORSAL ATTACHMENT POINT



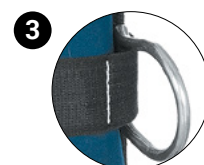
EN 361
Dorsal attachment D-ring

FRONT ATTACHMENT POINT



EN 361
Front attachment point

BELT



EN 358
Work positioning belt with side attachment buckles

P-50NmX ISOL

Full body harness

ENHANCED

EN 361, EN 358

Ref. no.: AB 159 22



SPECIAL FEATURES



PERMITTED TO WORK IN POTENTIALLY EXPLOSIVE AREAS



RESISTANCE TO FLAME IN ACCORDANCE WITH EN 358 P.4.1.5 STANDARD

MANUFACTURE

Webbing:	polyester 45 mm
Buckles:	galvanized steel, ABS
Threads:	polyester

NUMBER OF ATTACHMENT POINTS

1

dorsal



EN 361

2

front



EN 361

3

waist



EN 358

E ENHANCED ALL AUTOMATIC BUCKLES



VERSION	WEIGHT
M - XL	1690 g
XXL	1790 g

DORSAL ATTACHMENT POINT

1



EN 361

Dorsal attachment D-ring

FRONT ATTACHMENT POINT

2



EN 361

Front attachment point

BELT

3



EN 358

Work positioning belt with side attachment buckles

P-70

Full body harness

EN 361, EN 358, EN 813

Ref. no.: AB 170 01



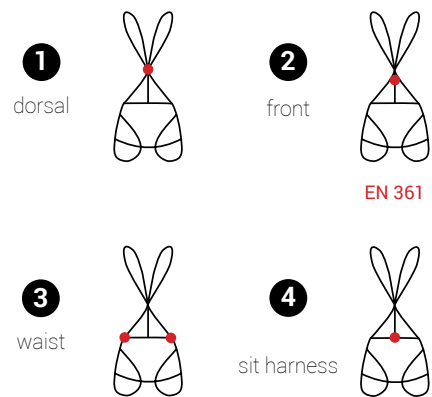
SPECIAL FEATURES



MANUFACTURE

Webbing:	polyester 45 mm
Buckles:	galvanized steel
Threads:	polyester

NUMBER OF ATTACHMENT POINTS



VERSION	WEIGHT
M - XL	1660 g
XXL	1760 g

DORSAL ATTACHMENT POINT



EN 361
Dorsal attachment D-ring

FRONT ATTACHMENT POINT



EN 361
Front attachment point

BELT



EN 358
Work positioning belt with side attachment buckles

SIT HARNESS



EN 813
Attachment point for sit harness

P-70mX

Full body harness

ENHANCED

EN 361, EN 358, EN 813

Ref. no.: AB 170 21



E ENHANCED ALL AUTOMATIC BUCKLES



ELASTIC WEBBING

SPECIAL FEATURES



PREMITTED TO WORK IN POTENTIALLY EXPLOSIVE AREAS

MANUFACTURE

Webbing: polyester 45 mm
 Buckles: galvanized steel, ABS
 Threads: polyester

NUMBER OF ATTACHMENT POINTS

1

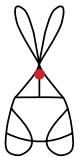
dorsal



EN 361

2

front



EN 361

3

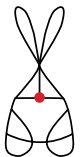
waist



EN 358

4

sit harness



EN 813

VERSION

WEIGHT

M - XL

1660 g

XXL

1760 g

DORSAL ATTACHMENT POINT

1



EN 361

Dorsal attachment D-ring

FRONT ATTACHMENT POINT

2



EN 361

Front attachment point

BELT

3

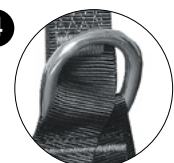


EN 358

Work positioning belt with side attachment buckles

SIT HARNESS

4



EN 813

Attachment point for sit harness

P-71

Full body harness

EN 361, EN 358, EN 813

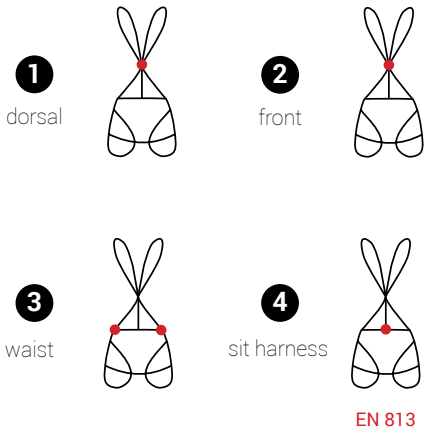
Ref. no.: AB 171 01



MANUFACTURE

Webbing:	polyester 45 mm
Buckles:	galvanized steel
Threads:	polyester

NUMBER OF ATTACHMENT POINTS



VERSION	WEIGHT
M - XL	1660 g
XXL	1760 g

DORSAL ATTACHMENT POINT



EN 361
Dorsal attachment D-ring

FRONT ATTACHMENT POINT



EN 361
Front attachment point

BELT



EN 358
Work positioning belt with side attachment buckles

SIT HARNESS



EN 813
Attachment point for sit harness

P-71mX

Full body harness

ENHANCED

EN 361, EN 358, EN 813

Ref. no.: AB 171 21



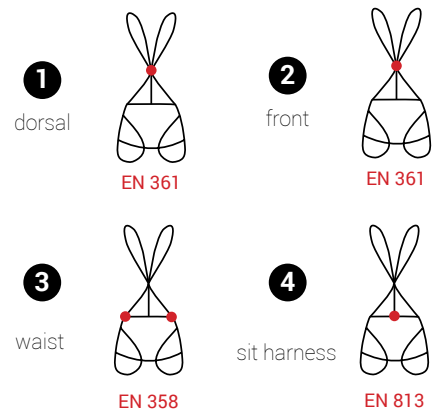
SPECIAL FEATURES



MANUFACTURE

Webbing:	polyester 45 mm
Buckles:	galvanized steel, ABS
Threads:	polyester

NUMBER OF ATTACHMENT POINTS



VERSION	WEIGHT
M - XL	1720 g
XXL	1820 g

DORSAL ATTACHMENT POINT FRONT ATTACHMENT POINT



EN 361

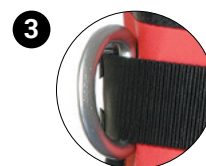
Dorsal attachment D-ring



EN 361

Front attachment point

BELT



EN 358

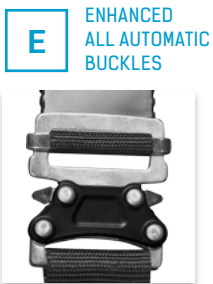
Attachment point for sit harness

SIT HARNESS



EN 813

Attachment point for sit harness



ENHANCED ALL AUTOMATIC BUCKLES

P-71mXR

Full body harness

ENHANCED

EN 361, EN 358, EN 813, EN1497

Ref. no.: AB 171 25

SPECIAL FEATURES



PERMITTED TO WORK IN POTENTIALLY EXPLOSIVE AREAS

Tested for maximum user's weight 140 kg

ADAPTED TO COOPERATE WITH A TWO-POINT HITCH AT 300

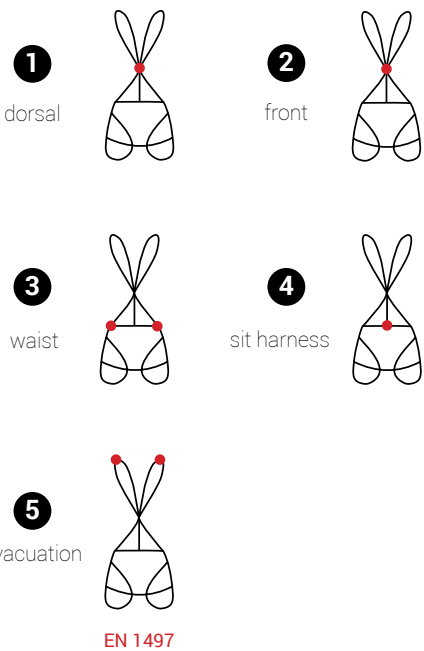
MANUFACTURE

Webbing: polyester 45mm

Buckles: galvanized steel, ABS

Threads: polyester

NUMBER OF ATTACHMENT POINTS



VERSION	WEIGHT
M - XL	1780 g
XXL	1890 g



E ENHANCED ALL AUTOMATIC BUCKLES



DORSAL ATTACHMENT POINT



EN 361
Dorsal attachment D-ring

FRONT ATTACHMENT POINT



EN 361
Front attachment point

BELT



EN 358
Attachment point for sit harness

SIT HARNESS



EN 813
Attachment point for sit harness

RESCUE ATTACHMENT POINT



EN 1497
Rescue attachment point

P-71E

Full body harness

EN 361, EN 358, EN 813

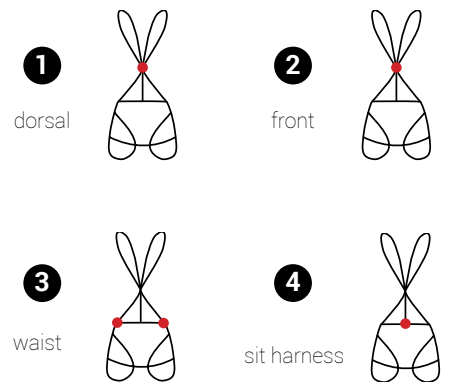
Ref. no.: AB 171 02



SPECIAL FEATURES



NUMBER OF ATTACHMENT POINTS



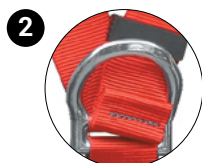
VERSION	WEIGHT
M - XL	1720 g
XXL	1820 g

DORSAL ATTACHMENT POINT



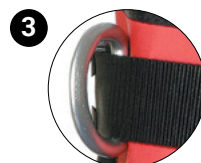
EN 361
Dorsal attachment D-ring

FRONT ATTACHMENT POINT



EN 361
Front attachment point

BELT



EN 358
Work positioning belt with side attachment buckles

SIT HARNESS



EN 813
Attachment point for sit harness

P-73

Full body harness

ENHANCED

EN 361, EN 358, EN 813

Ref. no.: AB 172 11



SPECIAL FEATURES

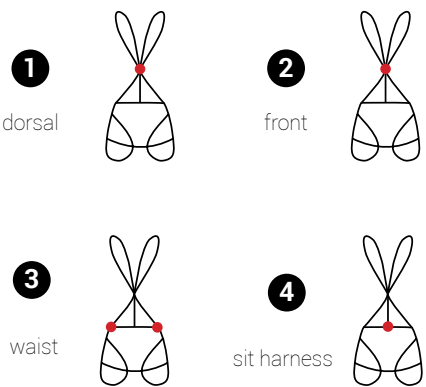
ADAPTED TO USE CLAMPING DEVICE

Tested for maximum user's weight 140 kg

MANUFACTURE

Webbing:	polyester 45 mm
Buckles:	galvanized steel, ABS
Threads:	polyester

NUMBER OF ATTACHMENT POINTS



VERSION	WEIGHT
M - XL	1780 g
XXL	1890 g

DORSAL ATTACHMENT POINT



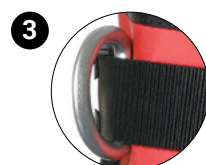
EN 361
Dorsal attachment D-ring

FRONT ATTACHMENT POINT



EN 361
Front attachment point

BELT



EN 358
Work positioning belt with side attachment buckles

SIT HARNESS



EN 813
Attachment point for sit harness



P-80mX

Full body harness

ENHANCED

EN 361, EN 358, EN 813

Ref. no.: AB 180 01



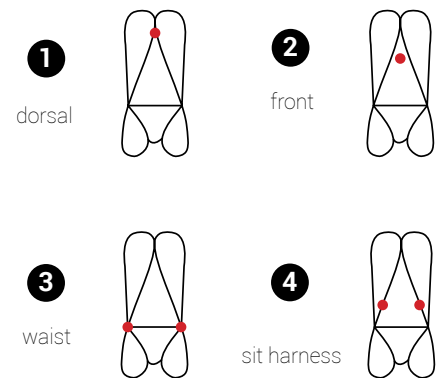
E ENHANCED ALL AUTOMATIC BUCKLES



MANUFACTURE

Webbing:	polyester 45 mm
Buckles:	galvanized steel, ABS
Threads:	polyester

NUMBER OF ATTACHMENT POINTS



EN 813

VERSION	WEIGHT
M - XL	1720 g
XXL	1820 g

DORSAL ATTACHMENT POINT



EN 361

Dorsal attachment D-ring

FRONT ATTACHMENT POINT



EN 361

Front attachment point

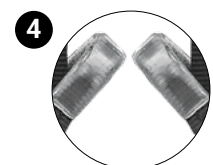
BELT



EN 358

Work positioning belt with side attachment buckles

SIT HARNESS



EN 813

Attachment point for sit harness

P-80EmX

Full body harness

ENHANCED

EN 361, EN 358, EN 813

Ref. no.: AB 180 22



SPECIAL FEATURES

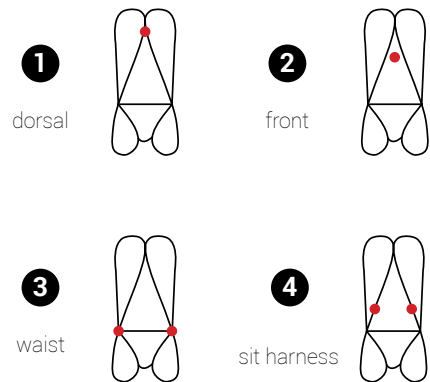
PERMITTED TO WORK IN POTENTIALLY EXPLOSIVE AREAS

Tested for maximum user's weight 140 kg

MANUFACTURE

Webbing:	polyester 45 mm
Buckles:	galvanized steel, ABS
Threads:	polyester

NUMBER OF ATTACHMENT POINTS



E ENHANCED ALL AUTOMATIC BUCKLES



VERSION	WEIGHT
M - XL	1780 g
XXL	1860 g

DORSAL ATTACHMENT POINT



EN 361
Dorsal attachment D-ring

FRONT ATTACHMENT POINT



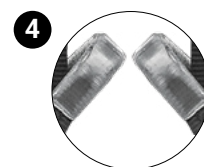
EN 361
Front attachment point

BELT



EN 358
Work positioning belt with side attachment buckles

SIT HARNESS



EN 813
Attachment point for sit harness

P-80EmX ISOL

Full body harness

ENHANCED

EN 361, EN 358, EN 813

Ref. no.: AB 180 03

E ENHANCED
ALL AUTOMATIC
BUCKLES

CE



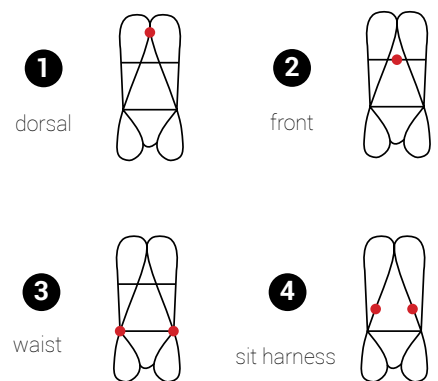
SPECIAL FEATURES

 **PREMITTED TO WORK IN POTENTIALLY EXPLOSIVE AREAS**

MANUFACTURE

Webbing: polyester 45 mm
Buckles: galvanized steel, ABS
Threads: polyester

NUMBER OF ATTACHMENT POINTS



EN 813

VERSION	WEIGHT
M - XL	1800 g
XXL	1800 g

DORSAL ATTACHMENT POINT



EN 361

Dorsal attachment D-ring

FRONT ATTACHMENT POINT



EN 361

Front attachment point

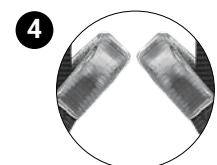
BELT



EN 358

Work positioning belt with side attachment buckles

SIT HARNESS



EN 813

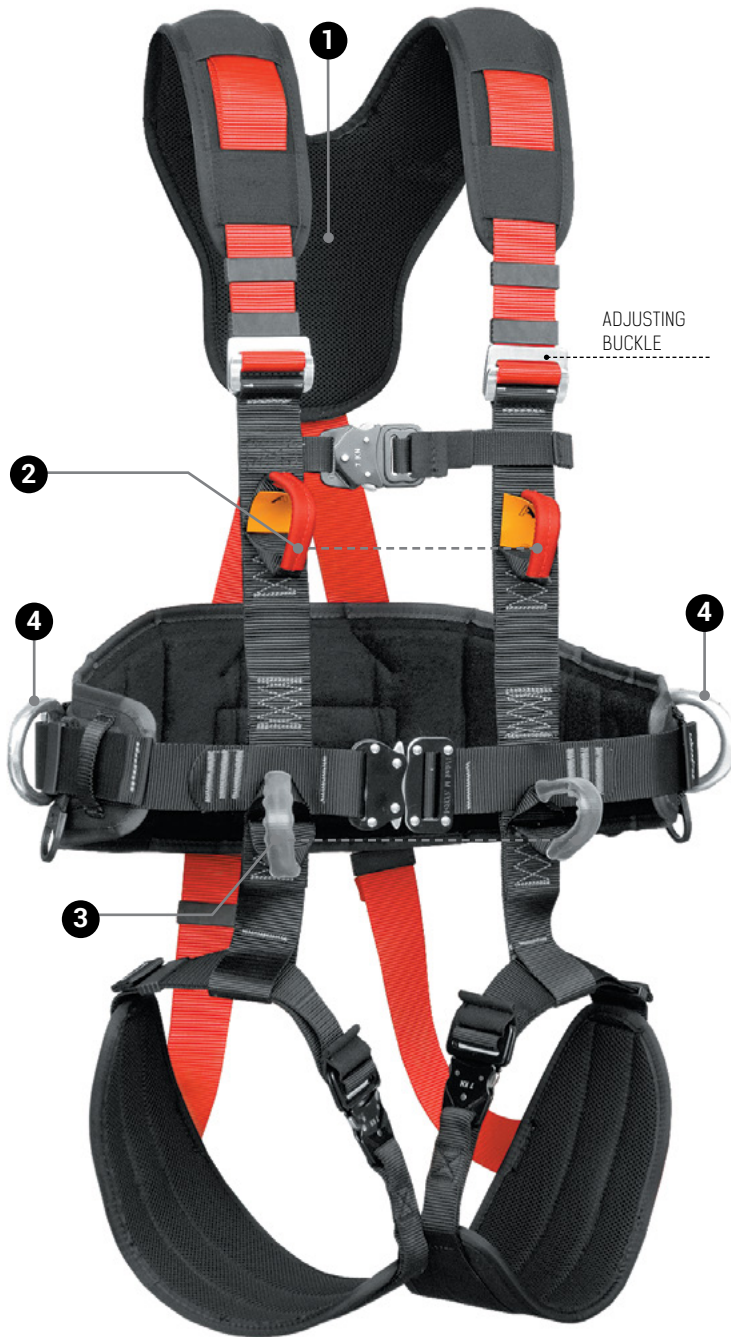
Attachment point for sit harness

P-81

Full body harness

EN 361, EN 358, EN 813

Ref. no.: AB 181 01



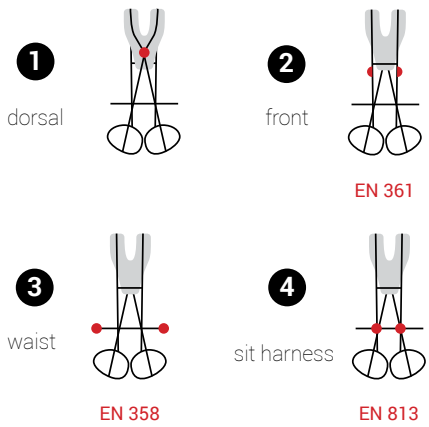
SPECIAL FEATURES

Tested for maximum user's weight 140 kg

MANUFACTURE

Webbing: polyester 45 mm
 Buckles: automatic aluminium
 Threads: polyester

NUMBER OF ATTACHMENT POINTS



VERSION	WEIGHT
M - XL	1890 g
XXL	1980 g

DORSAL ATTACHMENT POINT



EN 361
Dorsal attachment D-ring

FRONT ATTACHMENT POINT



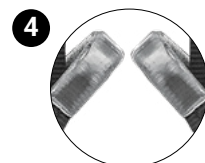
EN 361
Front attachment point

BELT



EN 358
Work positioning belt with side attachment buckles

SIT HARNESS



EN 813
Attachment point for sit harness

P-81D

Full body harness

EN 361, EN 358, EN 813

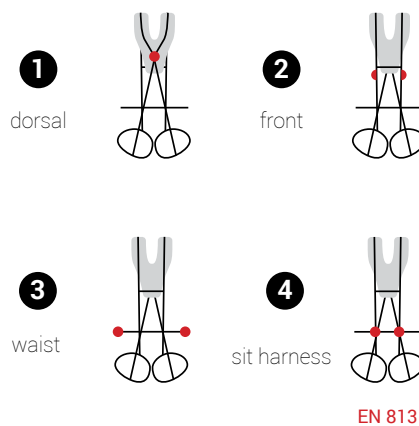
Ref. no.: AB 181 03



MANUFACTURE

Webbing:	polyester 45 mm
Buckles:	galvanized steel
Threads:	polyester

NUMBER OF ATTACHMENT POINTS



VERSION	WEIGHT
M - XL	1810 g
XXL	1900 g

DORSAL ATTACHMENT POINT



EN 361

Dorsal attachment D-ring

FRONT ATTACHMENT POINT



EN 361

Front attachment point

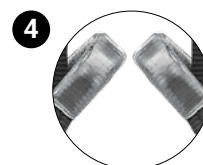
BELT



EN 358

Work positioning belt with side attachment buckles

SIT HARNESS



EN 813

Rescue attachment point

P-86mXR

Full body harness

ENHANCED

EN 361, EN 358, EN 1497

Ref. no.: AB 186 21



E ENHANCED ALL AUTOMATIC BUCKLES



SPECIAL FEATURES

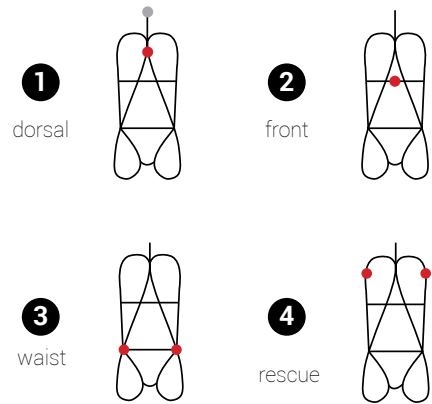
Tested for maximum user's weight 140 kg

ADAPTED TO COOPERATE WITH A TWO-POINT HITCH AT 300

MANUFACTURE

Webbing:	polyester 45 mm
Buckles:	galvanized steel, ABS
Threads:	polyester

NUMBER OF ATTACHMENT POINTS



VERSION	WEIGHT
M - XL	1820 g
XXL	1960 g

DORSAL ATTACHMENT POINT



EN 361
Dorsal attachment D-ring

FRONT ATTACHMENT POINT



EN 361
Front attachment point

BELT



EN 358
Work positioning belt with side attachment buckles

RESCUE ATTACHMENT POINT



EN 1497
Attachment point for sit harness

P-87mXR

Full body harness

ENHANCED

EN 361, EN 358, EN 1497

Ref. no.: AB 187 01



SPECIAL FEATURES

Tested for maximum user's weight 140 kg

ADAPTED TO COOPERATE WITH A TWO-POINT HITCH AT 300

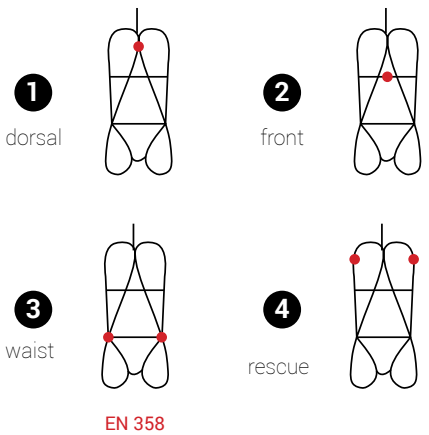
MANUFACTURE

Webbing: polyester 45mm

Buckles: galvanized steel, ABS

Threads: polyester

NUMBER OF ATTACHMENT POINTS



E ENHANCED ALL AUTOMATIC BUCKLES



VERSION	WEIGHT
M - XL	2540 g
XXL	2750 g

DORSAL ATTACHMENT POINT



EN 361

Dorsal attachment D-ring

FRONT ATTACHMENT POINT



EN 361

Front attachment point

BELT



EN 358

Work positioning belt with side attachment buckles

RESCUE



EN 1497

Rescue loops

P-90

Full body harness

EN 361, EN 358, EN 813

Ref. no.: AB 190 01



SPECIAL FEATURES

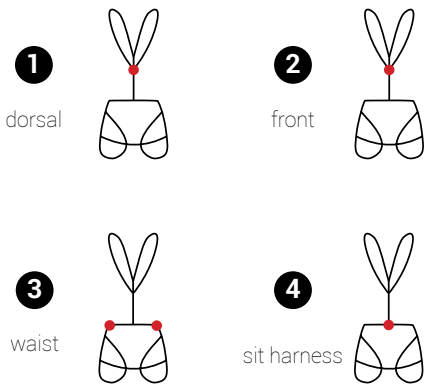
 PERMITTED TO WORK IN POTENTIALLY EXPLOSIVE AREAS

 Tested for maximum user's weight 140 kg

MANUFACTURE

Webbing:	polyester 45 mm
Buckles:	galvanized steel
Threads:	polyester

NUMBER OF ATTACHMENT POINTS



VERSION	WEIGHT
M - XL	1950 g
XXL	2030 g

DORSAL ATTACHMENT POINT



EN 361
Dorsal attachment D-ring

FRONT ATTACHMENT POINT



EN 361
Front attachment point

WORK POSITIONING



EN 358
Work positioning belt with side attachment buckles

SIT HARNESS



EN 813
Attachment point for sit harness

P-90mX

Full body harness

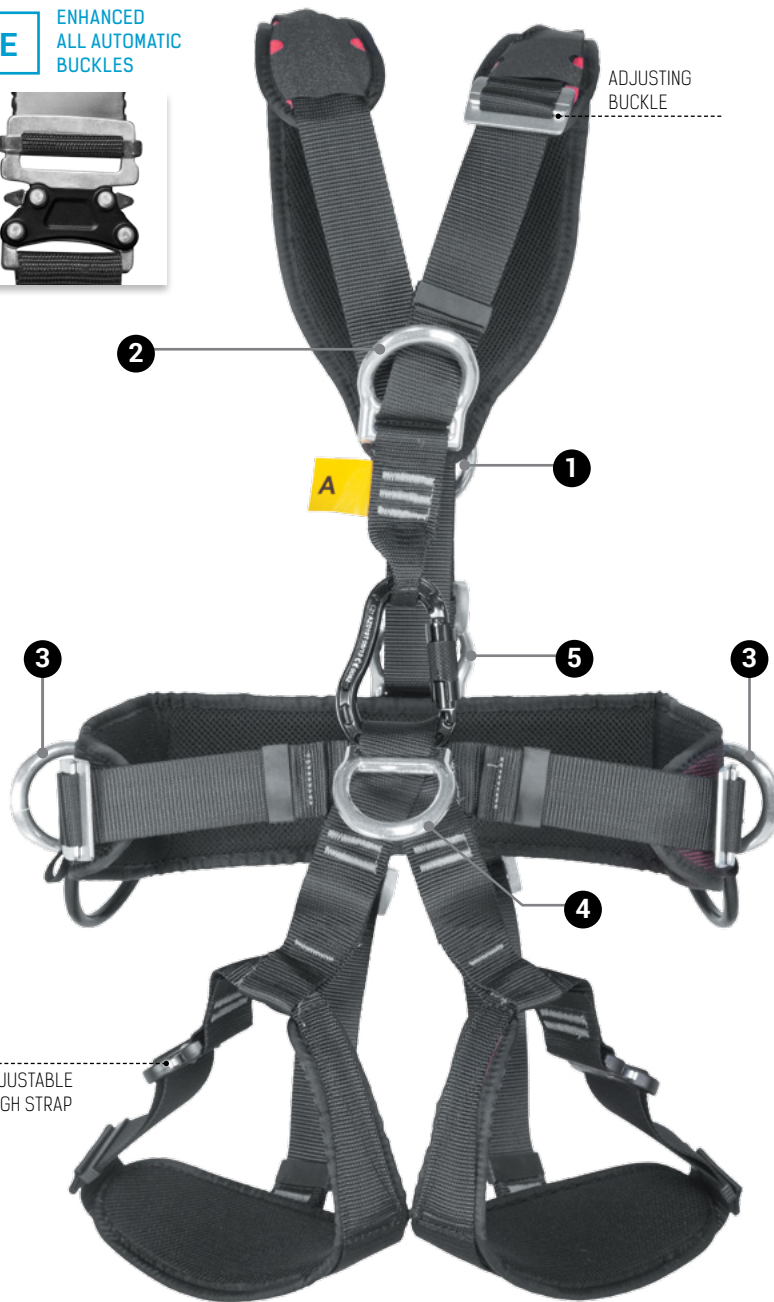
ENHANCED

EN 361, EN 358, EN 813

Ref. no.: AB 190 03



E ENHANCED ALL AUTOMATIC BUCKLES



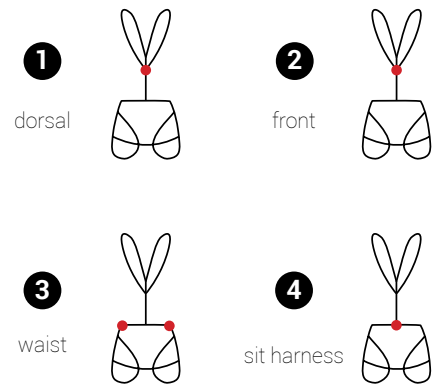
SPECIAL FEATURES

Tested for maximum user's weight 140 kg

MANUFACTURE

Webbing: polyester 45 mm
 Buckles: galvanized steel, ABS
 Threads: polyester

NUMBER OF ATTACHMENT POINTS



VERSION WEIGHT

M - XL 1950 g

XXL 2030 g

DORSAL ATTACHMENT POINT



EN 361

Dorsal attachment D-ring

FRONT ATTACHMENT POINT



EN 361

Front attachment point

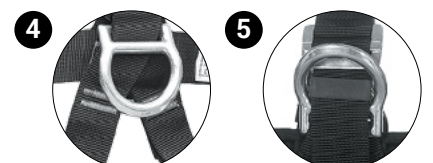
WORK POSITIONING



EN 358

Work positioning belt with side attachment buckles

SIT HARNESS



EN 813

Attachment point for sit harness

P-10F

Full body harness

EN 361

Ref. no.: AB 110 04



MANUFACTURE

Webbing: polyester 45mm

Buckles: automatic aluminium galvanized steel

Threads: polyester

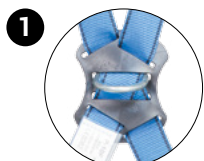
NUMBER OF ATTACHMENT POINTS

1
dorsal



VERSION	WEIGHT
S	1000 g
M - XL	1050 g
XXL	1150 g

DORSAL ATTACHMENT POINT



EN 361

Dorsal attachment D-ring

P-14R

Full body harness

EN 361, EN 1497

Ref. no.: AB 114 01

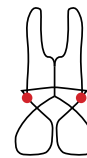


MANUFACTURE

Webbing:	polyester 45 mm
Buckles:	galvanized steel
Threads:	polyester

NUMBER OF ATTACHMENT POINTS

1
front



EN 361

VERSION	WEIGHT
M - XL	1600 g
XXL	1720 g

FRONT ATTACHMENT POINT



EN 361

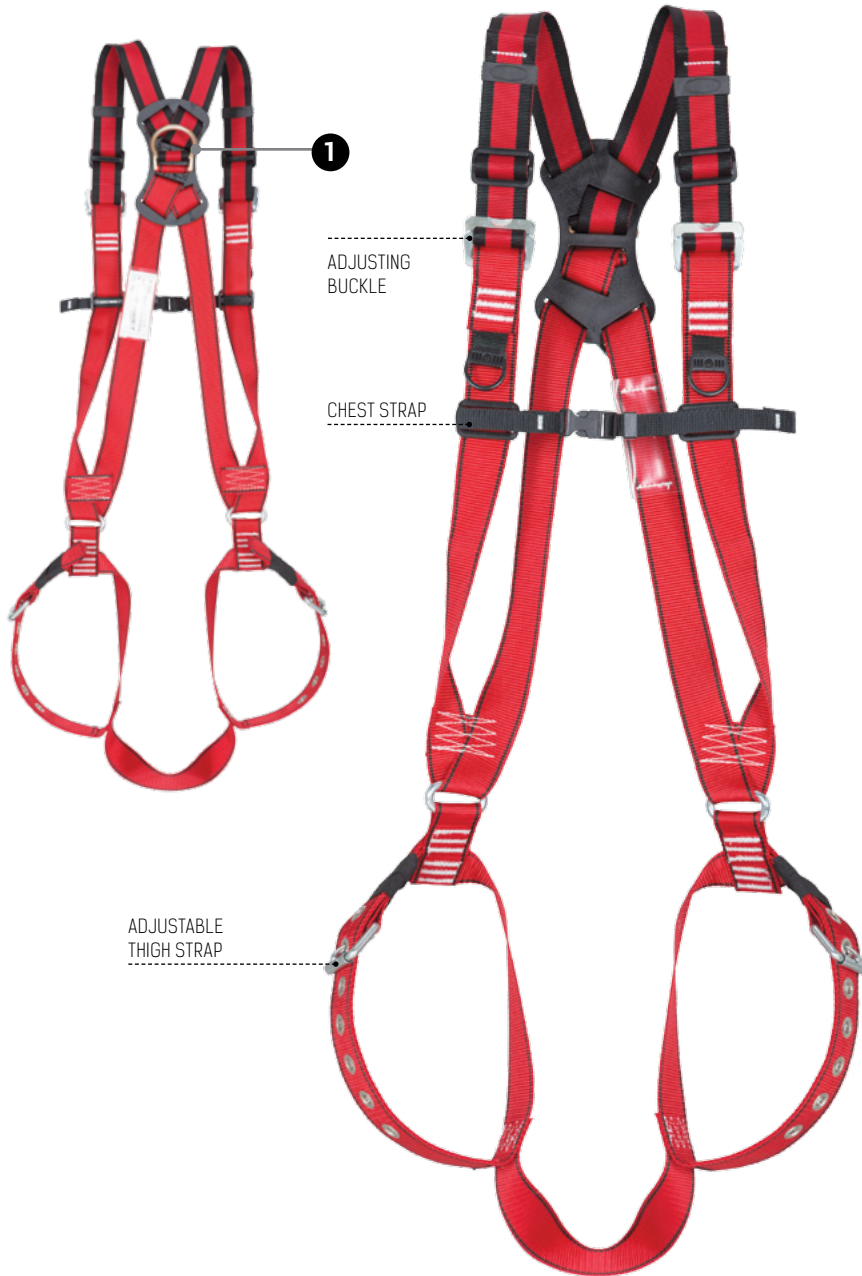
Front attachment point

P-15E

Full body harness

EN 361

Ref. no.: AB 115 02



MANUFACTURE

Webbing:	polyester 45 mm
Buckles:	galvanized steel
Threads:	polyester

NUMBER OF ATTACHMENT POINTS

1

dorsal



VERSION WEIGHT

M - XL 1220 g

XXL 1290 g

DORSAL ATTACHMENT POINT



EN 361

Dorsal attachment D-ring

P-16

Full body harness

EN 361, EN 813

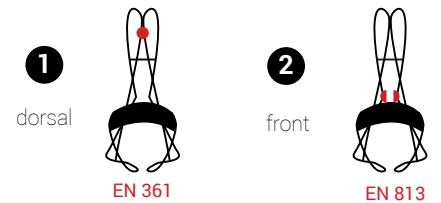
Ref. no.: AB 116 01



MANUFACTURE

Webbing:	polyester 45 mm
Buckles:	galvanized steel
Threads:	polyester

NUMBER OF ATTACHMENT POINTS



VERSION	WEIGHT
M - XL	1360 g
XXL	1430 g

DORSAL ATTACHMENT POINT



EN 361

Dorsal attachment D-ring

SIT HARNESS



EN 813

Front attachment point

HI VISION FULL BODY HARNESS

NEW

BELT
WITH ADDITIONAL
REFLECTIVE TAPES

HV GREEN
REFLECTIVE TAPES
FOR BETTER



REFLECTIVE
MARKERS FOR BET-
TER HARNESS
VISIBILITY

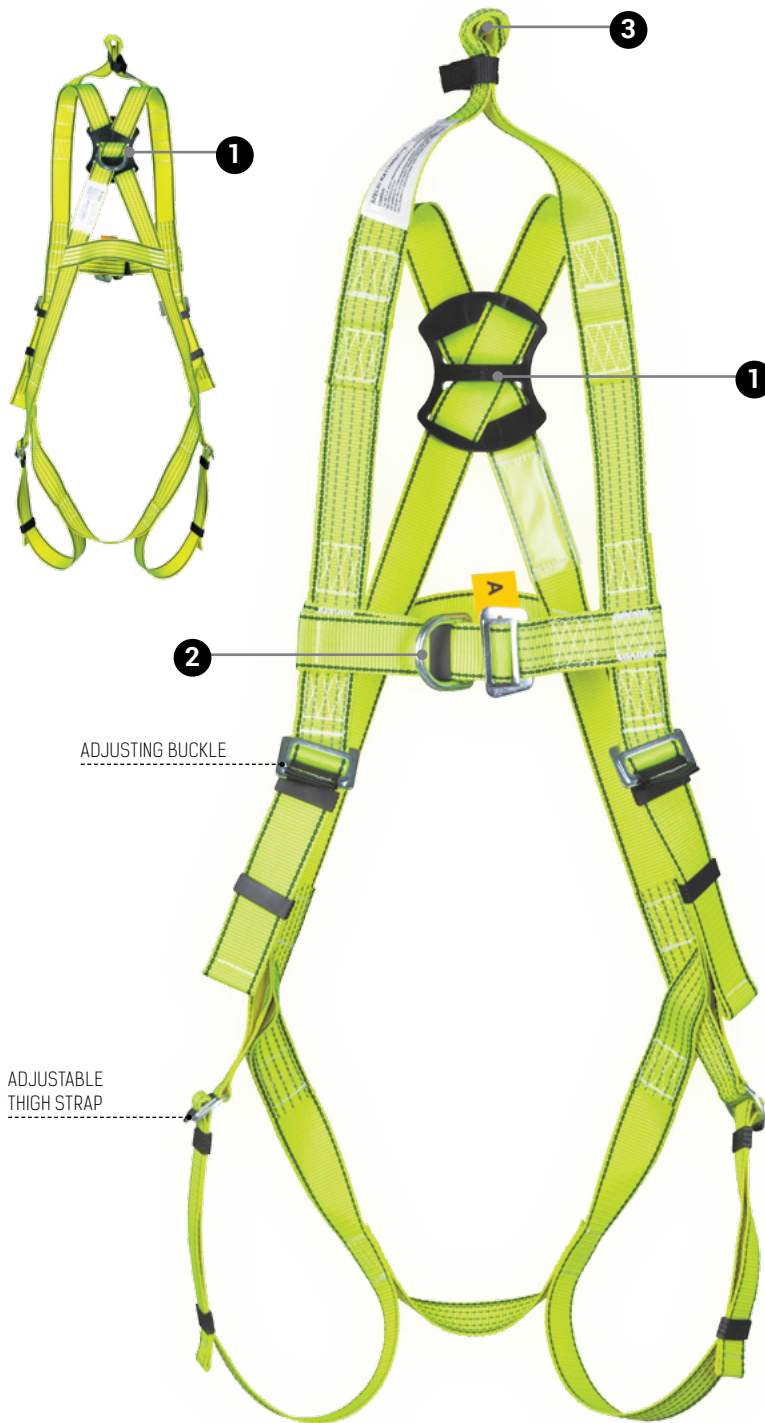


P-10R HV

Hi Vision full body harness

EN 361, EN 1497

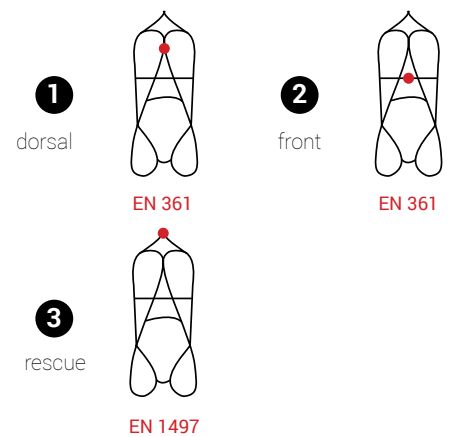
Ref. no.: AB 110 09



MANUFACTURE

Webbing:	polyester 45 mm
Buckles:	galvanized steel
Threads:	polyester

NUMBER OF ATTACHMENT POINTS



VERSION	WEIGHT
M - XL	1460 g
XXL	1600 g

DORSAL ATTACHMENT POINT



EN 361

Dorsal attachment D-ring

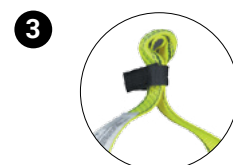
FRONT ATTACHMENT POINT



EN 361

Front attachment point

RESCUE ATTACHMENT POINT



EN 1497

Rescue attachment point

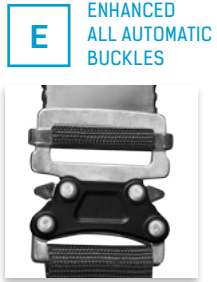
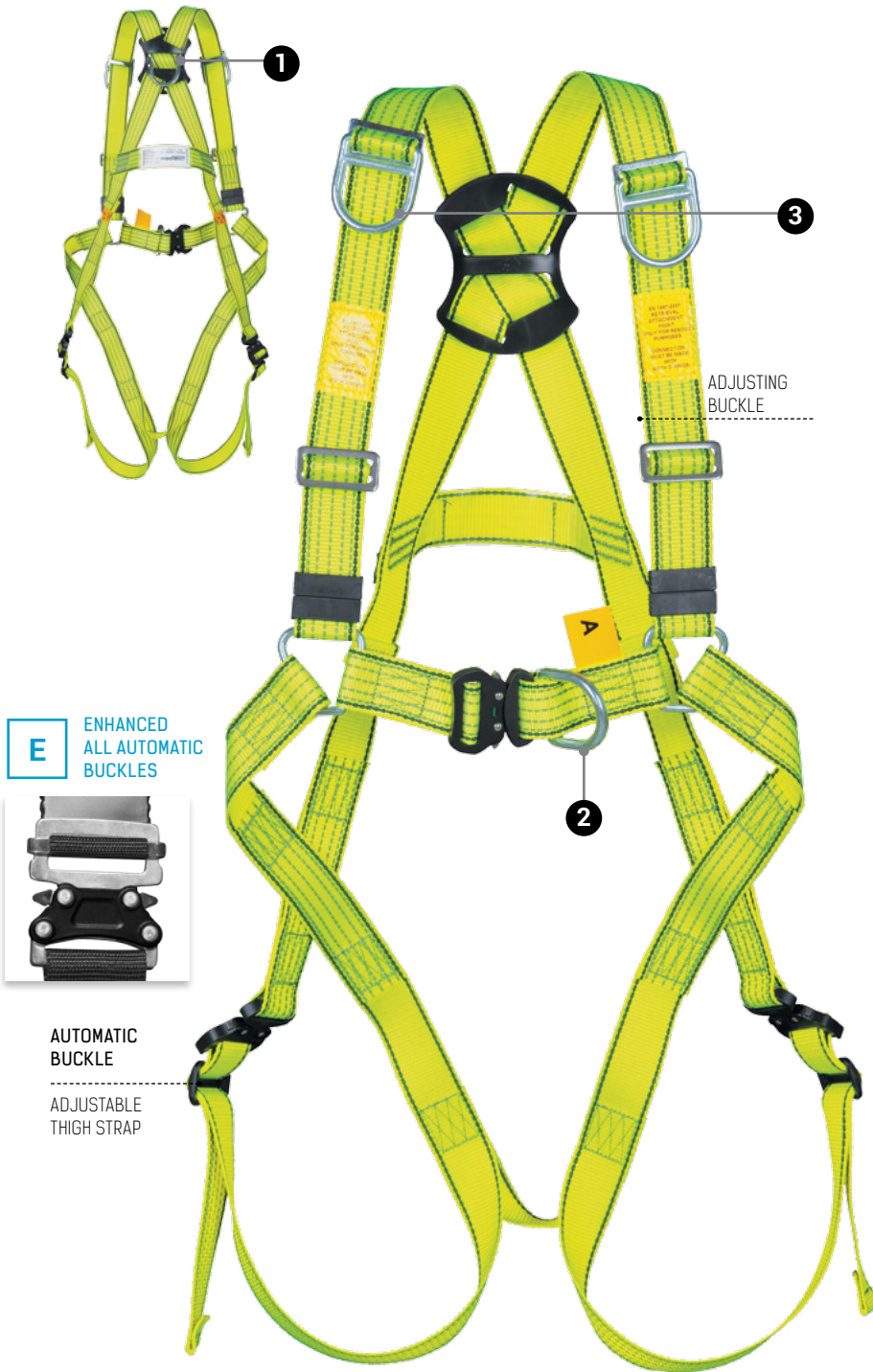
P-35mXR HV

Hi Vision full body harness

ENHANCED

EN 361, EN 1497

Ref. no.: AB 135 29



SPECIAL FEATURES

ADAPTED TO COOPERATE WITH A TWO-POINT HITCH AT 300

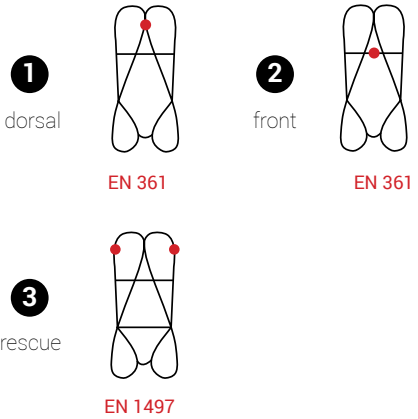
MANUFACTURE

Webbing: polyester 45mm

Buckles: galvanized steel, ABS

Threads: polyester

NUMBER OF ATTACHMENT POINTS



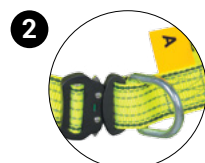
VERSION	WEIGHT
M - XL	1100 g
XXL	1160 g

DORSAL ATTACHMENT POINT



EN 361
Dorsal attachment D-ring

FRONT ATTACHMENT POINT



EN 361
Front attachment point

RESCUE ATTACHMENT POINT



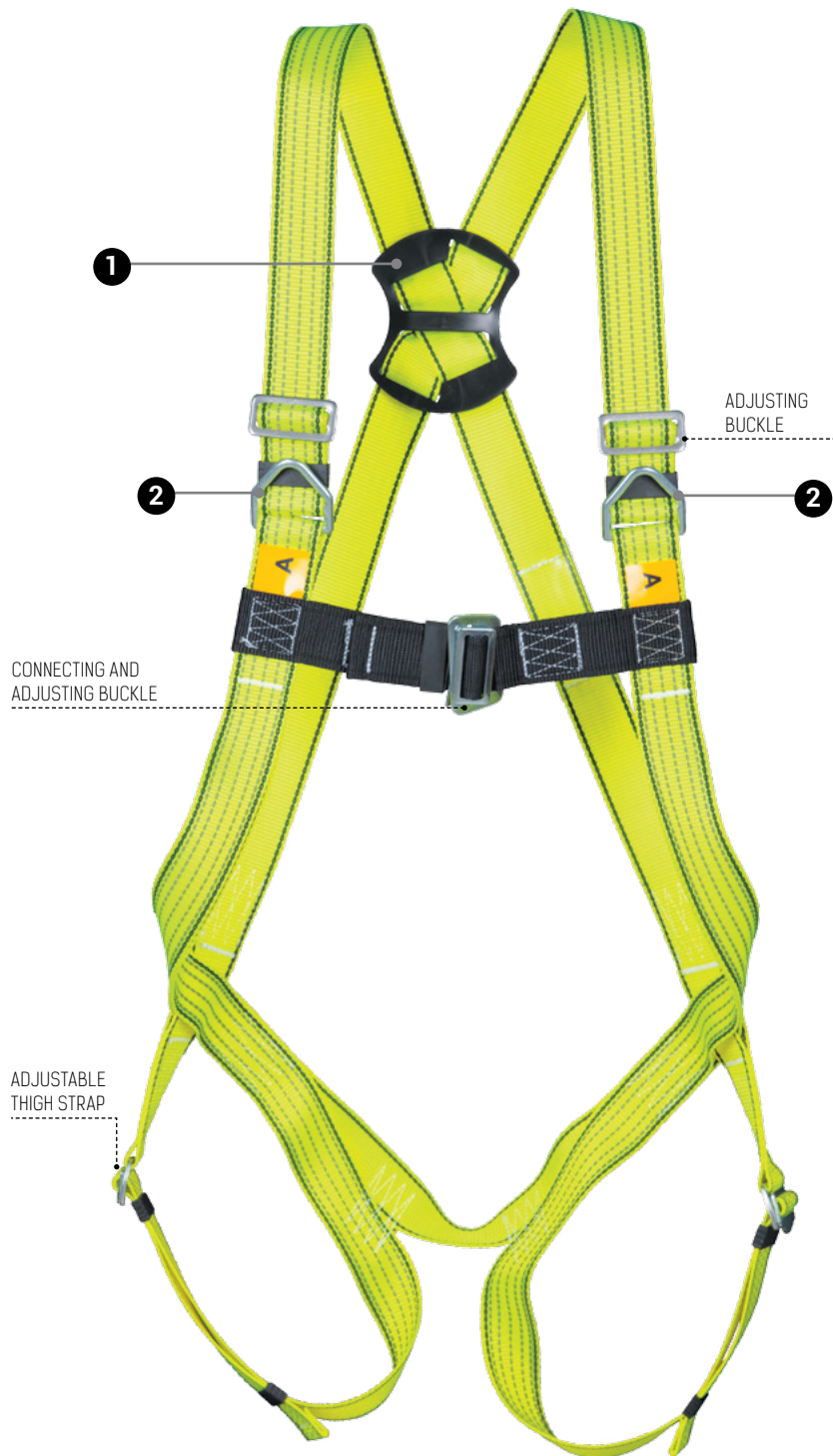
EN 1497
Rescue attachment point

P-40 HV

Hi Vision full body harness

EN 361

Ref. no.: AB 140 09



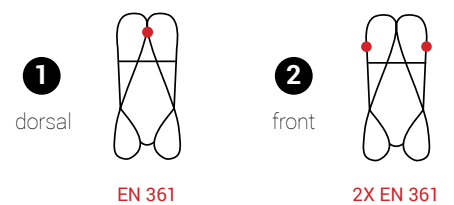
SPECIAL FEATURES

 ADAPTED TO COOPERATE WITH A TWO-POINT HITCH AT 300

MANUFACTURE

Webbing:	polyester 45 mm
Buckles:	galvanized steel
Threads:	polyester

NUMBER OF ATTACHMENT POINTS



VERSION	WEIGHT
M - XL	1050 g
XXL	1200 g

DORSAL ATTACHMENT POINT



EN 361
Dorsal attachment D-ring

FRONT ATTACHMENT POINT



EN 361
Front attachment point

P-42 HV

Hi Vision full body harness

EN 361, EN 358

Ref. no.: AB 142 09



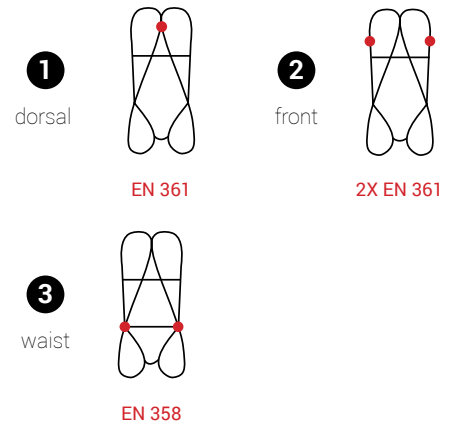
SPECIAL FEATURES

ADAPTED TO COOPERATE WITH A TWO-POINT HITCH AT 300

MANUFACTURE

Webbing: polyester 45 mm
 Buckles: galvanized steel
 Threads: polyester

NUMBER OF ATTACHMENT POINTS



VERSION	WEIGHT
M - XL	1530 g
XXL	1750 g

DORSAL ATTACHMENT POINT



EN 361
Dorsal attachment D-ring

FRONT ATTACHMENT POINT



EN 361
Front attachment point

BELT



EN 358
Work positioning belt with side attachment buckles

P-87mXR HV

Hi Vision full body harness

ENHANCED

EN 361, EN 358, EN 1497

Ref. no.: AB 187 29



SPECIAL FEATURES

ADAPTED TO COOPERATE WITH A TWO-POINT HITCH AT 300

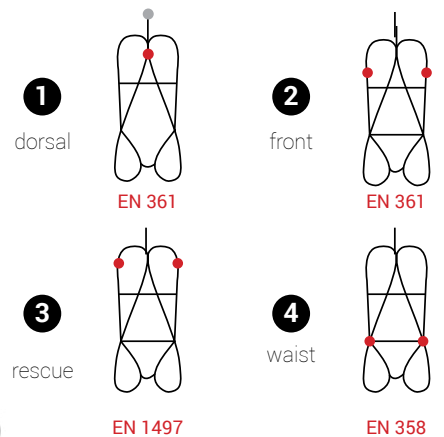
MANUFACTURE

Webbing: polyester 45mm

Buckles: galvanized steel, ASB

Threads: polyester

NUMBER OF ATTACHMENT POINTS



E ENHANCED ALL AUTOMATIC BUCKLES



VERSION	WEIGHT
M - XL	2540 g
XXL	2750 g

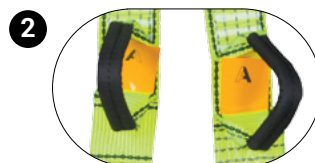
DORSAL ATTACHMENT POINT



EN 361

Dorsal attachment D-ring

FRONT ATTACHMENT POINT



EN 361

Front attachment point

RESCUE



EN 1497

Rescue loops

BELT



EN 358

Work positioning belt with side attachment buckles

P-30HV+

Hi Vision full body harness

EN 361

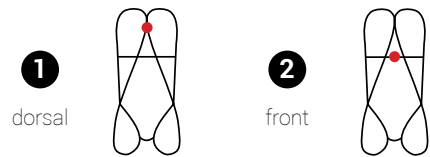
Ref. no.: AB 130 04



MANUFACTURE

Webbing:	polyester 45 mm
Buckles:	galvanized steel
Threads:	polyester

NUMBER OF ATTACHMENT POINTS



VERSION	WEIGHT
M - XL	1000 g
XXL	1600 g

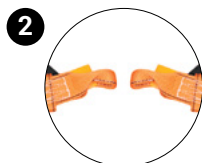
DORSAL ATTACHMENT POINT



EN 361

Dorsal attachment D-ring

FRONT ATTACHMENT POINT



EN 361

Front attachment point

P-50HV+

Full body harness

EN 361, EN 358

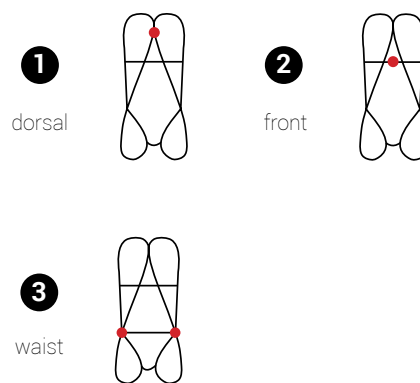
Ref. no.: AB 150 04



MANUFACTURE

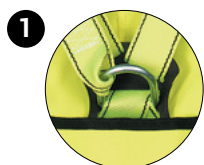
Webbing:	polyester 45 mm
Buckles:	galvanized steel
Threads:	polyester

NUMBER OF ATTACHMENT POINTS



VERSION	WEIGHT
M - XL	1460 g
XXL	1600 g

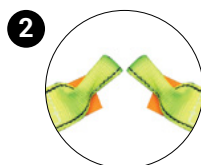
DORSAL ATTACHMENT POINT



EN 361

Dorsal attachment D-ring

FRONT ATTACHMENT POINT



EN 361

Front attachment point

BELT



EN 358

Work positioning belt with side attachment buckles

KB 020

Overalls with full body harness

EN 361

Ref. no.: KB 020



SPECIAL FEATURES



**PREMITTED TO WORK IN
POTENTIALLY EXPLOSIVE AREAS**

MANUFACTURE


Material: HV fabric: 85% Polyester, 15% Cotton other fabrics: 65% Polyester, 35% Cotton

Weight: 350 g

Overalls integrated with full body harness. Made from high-quality polyester and cotton fabric by KLOPMAN. Full body harness is sewn up inside the overalls with dorsal attachment D-ring brought out.

**VARIOUS FABRICS AND COLOURS ON REQUEST
OVERALLS AVAILABLE ALSO IN REFLECTIVE VERSION.**

COLOUR VERSION

 HV orange

 Ash-gray

KB 040

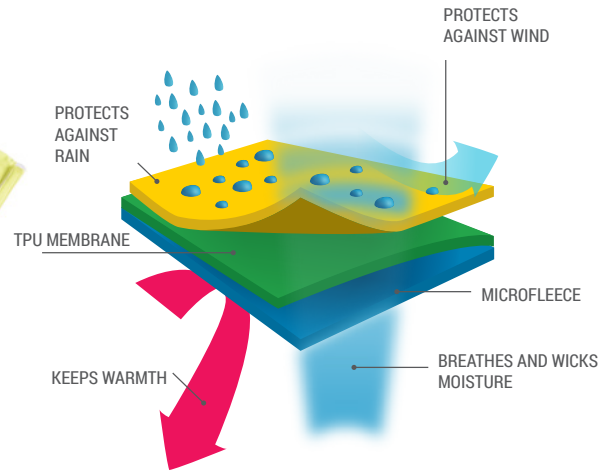
SOFTSHELL HIGH VISIBLE jacket
with full body harness P 11 or P 11C

EN361

Ref. no.: **KB 040**



3 LAYER PROTECTION



MANUFACTURE

Material:	97% Polyester, 3% Elastane
Weight:	350 g

SIZES

SIZE	HEIGHT	CHEST CIRCUMFERENCE
M	176-179 cm	83-94 cm
L	179-182 cm	95-102 cm
XL	182-185 cm	103-112 cm

Softshell jacket equipped with full body harness P11 or P11C (automatic buckles).

Harness can be released easily. The jacket is made of firmly woven fabric providing an excellent protection against wind blows. The applied technology ensures windproofness, water tightness and breathability. Thanks to the above the jacket provides optimal protection while working with high intensity. The jacket is fitted with full-length zipper, chin protection and a single front and two side pockets. Sleeve cuffs are adjustable with strong Velcro fasteners.

✓ **SOFTSHELL FABRIC**
WITH BREATHABLE MEMBRANE

✓ **CONCEALABLE
HARNESS**



E ENHANCED
ALL AUTOMATIC
BUCKLES



KB 041, KB 042

SOFTSHELL jacket
with full body harness P 11 or P 11C

EN361

Ref. no.: KB 041, KB 042



MANUFACTURE

Material:	97% Polyester, 3% Elastane
Weight:	350 g

SIZES

SIZE	HEIGHT	CHEST CIRCUMFERENCE
M	176-179 cm	83-94 cm
L	179-182 cm	95-102 cm
XL	182-185 cm	103-112 cm

VERSION

JACKET KB041 + P11

JACKET KB041 + P11 C

JACKET KB042 + P11

JACKET KB042 + P11C

Softshell jacket equipped with full body harness P11 or P11C (automatic buckles). Harness can be released easily. The jacket is made of firmly woven fabric providing an excellent protection against wind blows. The applied technology ensures windproofness, water tightness and breathability. Thanks to the above the jacket provides optimal protection while working with high intensity. The jacket is fitted with full-length zipper, chin protection and a single front and two side pockets. Sleeve cuffs are adjustable with strong Velcro fasteners.

P 04

Harness with vest

EN 361

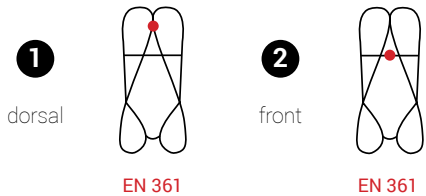
Ref. no.: AB 104 01



MANUFACTURE

Webbing:	polyester 45 mm
Buckles:	galvanized steel
Threads:	polyester

NUMBER OF ATTACHMENT POINTS



COLOUR VERSION

	HV yellow/green
	HV orange

DORSAL ATTACHMENT POINTS



EN 361
Dorsal attachment D-ring

FRONT ATTACHMENT POINTS



EN 361
Front attachment point

VS 010

Protective vest with reflective tapes



Ref. no.: VS 010



MANUFACTURE

Material:	85% Polyester, 15% Cotton
Weight:	0,60 kg
Size:	waist 80-110 cm
Compatibility:	P-01, P-01S, P-02, P-02S, P-10, P-20, P-30, P-30N, P-50, P-51E, P-60, P-61, P-61E
Reflective tape width:	40 mm and 30 mm

COLOUR VERSION

	HV yellow/green
	HV orange

VS 011

Protective vest with reflective tapes

Ref. no.: VS 011




SPECIAL FEATURES



MANUFACTURE

Material:	100% Polyester
Weight:	0,30 kg
Size:	waist 100-130 cm
Reflective tape width:	30 mm

COLOUR VERSION

	HV orange
	HV yellow/green
	Red
	Green
	Dark blue
	Black

VS 012

Protective vest with reflective tapes




Ref. no.: VS 012



MANUFACTURE

Material:	100% Polyester
Weight:	0,30 kg
Size:	L-XL
Reflective tape width:	50 mm

COLOUR VERSION

	HV orange
	HV yellow/green
	Red
	Green
	Dark blue
	Black

VS 020

Protective vest with reflective tapes



Ref. no.: VS 020



MANUFACTURE

Material	65% Polyester, 35% Cotton
Weight:	0,62 kg
Size:	L-XL
Compatibility:	P-01, P-01S, P-02, P-02S, P-10, P-20, P-30, P-40, P-50, P-51E, P-60, P-61, P-61E

COLOUR VERSION

	HV orange
	HV yellow/green
	Red
	Green
	Dark blue
	Black

VS 030

Vest for full body harness


Ref. no.: VS 030




MANUFACTURE

Material	65% Polyester, 35% Cotton
Weight:	0,60 kg
Size:	L-XL
Compatibility:	P-01, P-01S, P-02, P-02S, P-10, P-20, P-30, P-30N, P-50, P-51E, P-60, P-61, P-61E

COLOUR VERSION

 HV orange

 HV yellow/green

 Red

 Green

 Dark blue

 Black

VS 031

Vest for full body harness

Ref. no.: VS 031




MANUFACTURE

Material	65% Polyester, 35% Cotton
Weight:	0,60 kg
Size:	L-XL
Compatibility:	P-01, P-01S, P-02, P-02S, P-10, P-20, P-30, P-30N, P-50, P-51E, P-60, P-61, P-61E

COLOUR VERSION

 HV orange

 HV yellow/green

 Red

 Green

 Dark blue

 Black

VS 032

Vest for full body harness

EN 471

Ref. no.: VS 032 SPECIAL FEATURES



MANUFACTURE

Material	65% Polyester, 35% Cotton
Weight:	0,60 kg
Size:	L-XL
Compatibility:	P-01, P-01S, P-02, P-02S, P-10, P-20, P-30, P-30N, P-50, P-51E, P-60, P-61, P-61E

COLOUR VERSION

	HV orange
	HV yellow/green
	Red
	Green
	Dark blue
	Black

VS 041

Vest for full body harness

Ref. no.: VS 041



MANUFACTURE

Material	65% Polyester, 35% Cotton
Weight:	0,60 kg
Size:	L-XL
Compatibility:	P-01, P-01S, P-02, P-02S, P-10, P-20, P-30, P-30N, P-50, P-51E, P-60, P-61, P-61E

COLOUR VERSION

	HV orange
	HV yellow/green
	Red
	Green
	Dark blue
	Black

VS 042

Vest for full body harness



Ref. no.: VS 042



MANUFACTURE

Material	85% Polyester, 15% Cotton
Weight:	0,60 kg
Size:	L-XL
Compatibility:	P-01, P-01S, P-03, P-10, P-30, P-30N

COLOUR VERSION

	HV orange
	HV yellow/green

VS 050

Vest for full body harness



Ref. no.: VS 050



MANUFACTURE

Material:	85% Polyester, 15% Cotton
Weight:	0,60 kg
Size:	L-XL
Compatibility:	P-01, P-01S, P-01B, P-10, P-30, P-30N,
Reflective tape width:	40 mm

COLOUR VERSION

	HV orange
	HV yellow/green

VS 051

Vest for full body harness



Ref. no.: VS 051



MANUFACTURE

Material:	85% Polyester, 15% Cotton
Weight:	0,60 kg
Size:	L-XL
Compatibility:	P-01, P-01S, P-01B, P-10, P-30, P-30N,
Reflective tape width:	40 mm

COLOUR VERSION

	HV orange
	HV yellow/green

NET PRICE

125,00
125,00

VS 070

Vest for full body harness

Ref. no.: VS 070



Material in accordance with the following standards: EN 532, EN 367, EN 366, EN 373 – resistance to aluminium filings (780°C), resistance to iron filings (1400°C).

MANUFACTURE

Material	65% Polyester, 35% Cotton
Weight:	0,60 kg
Size:	L-XL
Compatibility:	P-01, P-01S, P-02, P-02S, P-10, P-20, P-50, P-60, P-61

SPECIAL FEATURES




PERMITTED TO WORK IN
POTENTIALLY EXPLOSIVE AREAS



RESISTANCE TO FLAME
IN ACCORDANCE WITH
EN 358 P.4.1.5 STANDARD

COLOUR VERSION

 HV orange

 GRAY

VS 080

Vest for full body harness






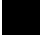
Ref. no.: VS 080



MANUFACTURE

Material	85% Polyester, 15% Cotton
Weight:	0,70 kg
Size:	L-XL
Compatibility:	P-01, P-01S, P-10, P-30, P-30N, P-40

COLOUR VERSION

	HV orange
	HV yellow/green
	Red
	Green
	Dark blue
	Black

VS 200

Protective vest with reflective tapes

EN 340, EN 531, EN 1149-5

Ref. no.: VS 200



SPECIAL FEATURES



**PERMITTED TO WORK IN
POTENTIALLY EXPLOSIVE AREAS**

Warning vest, flame-retardant, anti-static, type VS 200, made from acrylic fabric XISPAL 827 RS HV ANTIESTATICO, HV yellow/green. Reflective flame-retardant tapes, 50mm wide, Ref. No. RETROLUX FLR 600.

Vest snapped with four snap fasteners at front, covered with placket.

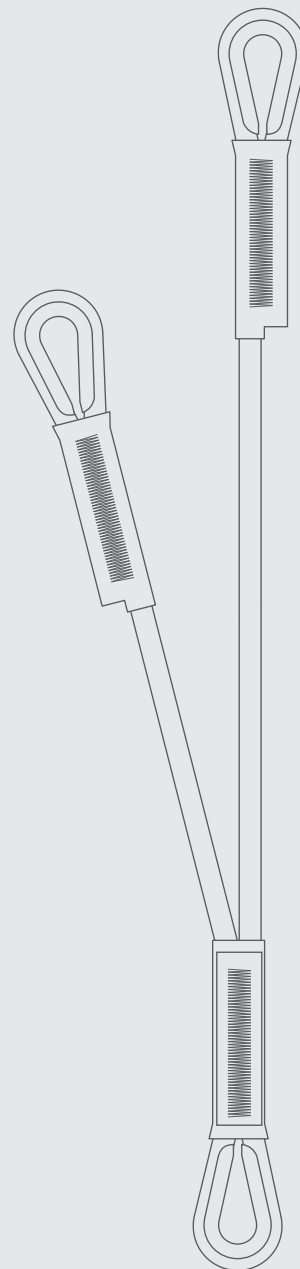
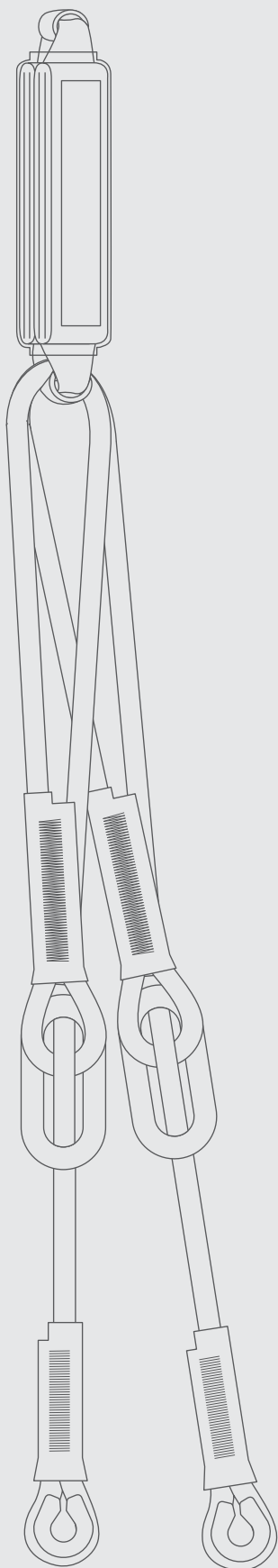
Rolled up and stitched lower section. Along its perimeter the vest has a single reflective tape sewn up horizontally on the waist at the front, running through shoulders, and two diagonal tapes at the back.

**The vest holds
EC Type Examination Certificate**

MANUFACTURE

Size: L-XL

HV yellow/green



Energy absorbers and lanyards

AW - energy absorbers with lanyard	3 - 2
ABM - energy absorbers with lanyard	3 - 9
ABM SCF - energy absorbers with lanyard for work on scaffolds	3 - 29
Lanyards	3 - 35

AW170/LB100

Energy absorber with adjustable lanyard

EN 355

Ref. no.: AW170/LB100



PARAMETERS

LANYARD

Material:	polyester
Manufacture:	kernmantle lanyard
Diameter:	12 mm

ENERGY ABSORBER

Manufacture:	polyamide webbing
Dimensions:	300x40x50 mm

SPECIAL FEATURES



Protection up to 140 Kg



PERMITTED TO WORK IN POTENTIALLY EXPLOSIVE AREAS

DEVICE STANDARD CONFIGURATIONS

N NEW CONNECTOR AZ 029

		Ref. no. AW170/LB100/2AZ011 Energy absorber AW 170 with lanyard LB 100 and connectors 2 x AZ 011 (galvanized steel, opening 18mm)	2,0 m			Ref. no. AW170/LB100/AZ002/AZ029 Energy absorber AW 170 with lanyard LB 100 and connectors AZ 002 (galvanized steel, opening 19mm), AZ 029 (galvanized steel, plastic, opening 50mm)	2,0 m
		nr kat. AW170/LB100/2AZ002 Energy absorber AW 170 with lanyard LB 100 and connectors 2 x AZ 002 (galvanized steel, opening 19mm)	2,0 m			nr kat. AW170/LB100/AZ003/AZ029 Energy absorber AW 170 with lanyard LB 100 and connectors AZ 003 (aluminium, opening 20mm), AZ 029 (galvanized steel, plastic, opening 50mm)	2,0 m
		Ref. no. AW170/LB100/2AZ002 Energy absorber AW 170 with lanyard LB 100 and connectors 2 x AZ 003 (aluminium, opening 20mm)	2,0 m			Ref. no. AW170/LB100 Energy absorber AW 170 with lanyard LB 100. WITHOUT CONNECTORS	1,8 m

OTHER DEVICE CONFIGURATIONS ON SPECIAL REQUEST

AW170/LB102

Energy absorber with twin-tail lanyard

EN 355

Ref. no.: **AW170/LB102**



PARAMETERS

LANYARD

Material:	polyester
Manufacture:	kernmantle lanyard
Diameter:	12 mm

ENERGY ABSORBER

Manufacture:	polyamide webbing
Dimensions:	300x40x50 mm

SPECIAL FEATURES



PERMITTED TO WORK IN POTENTIALLY EXPLOSIVE AREAS



Protection up to 140 Kg

DEVICE STANDARD CONFIGURATIONS

NEW CONNECTOR AZ 029



Ref. no. **AW170/LB102/3AZ011**

Energy absorber AW 170 with twin-tail lanyard LB 102 and connectors 3 x AZ 011 (galvanized steel, opening 18mm)

2,0 m



Ref. no. **AW170/LB102/AZ002/2AZ029**

Energy absorber AW 170 with twin-tail lanyard LB 102 and connectors AZ 002 (galvanized steel, opening 19mm), 2 x AZ 029 (galvanized steel, plastic, opening 50mm)

2,0 m



Ref. no. **AW170/LB102/AZ003/2AZ029**

Energy absorber AW 170 with twin-tail lanyard LB 102 and connectors AZ 003 (aluminium, opening 20mm), 2 x AZ 029 (galvanized steel, plastic, opening 50mm)

2,0 m



Ref. no. **AW170/LB102/AZ002/2AZ025**

Energy absorber AW 170 with twin-tail lanyard LB 102 and connectors AZ 002 (galvanized steel, opening 19mm), 2 x AZ 025 (galvanized steel, opening 83mm)

2,0 m



Ref. no. **AW170/LB102/AZ003/2AZ024**

Energy absorber AW 170 with twin-tail lanyard LB 102 and connectors AZ 003 (aluminium, opening 20mm), 2 x AZ 024 (aluminium, opening 100mm)

2,0 m

Ref. no. **AW170/LB102**

Energy absorber AW 170 with twin-tail lanyard LB 102. WITHOUT CONNECTORS

1,8 m

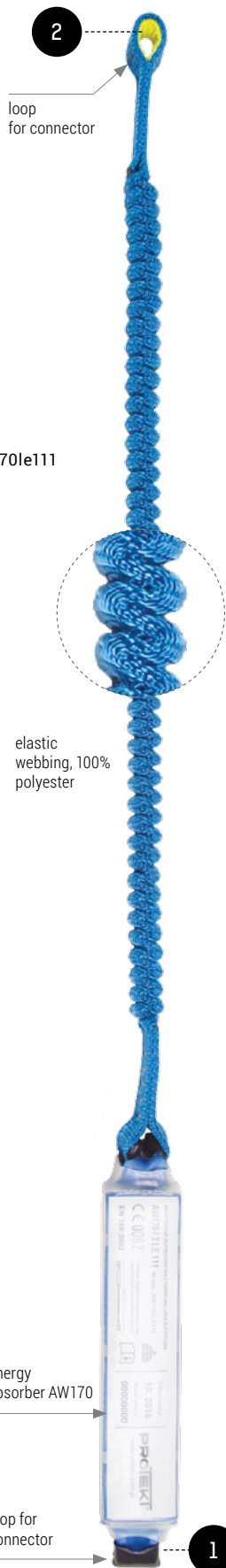
OTHER DEVICE CONFIGURATIONS ON SPECIAL REQUEST

AW170/LE111

Energy absorber with elastic lanyard

EN 355

Ref. no.: **AW170/LE111**



PRODUCT PRESENTATION

protekt.co/aw170le111



PARAMETERS

LANYARD

Material:	polyester
Manufacture:	polyamide webbing
Diameter:	28 mm

ENERGY ABSORBER

Manufacture:	polyamide webbing
Dimensions:	300x40x50 mm

SPECIAL FEATURES



Protection up to 140 Kg

AVAILABLE COLOR VERSIONS



DEVICE STANDARD CONFIGURATIONS

NEW CONNECTOR AZ 029

1

2



Ref. no. **AW170/LE111/2AZ011**

Energy absorber AW 170 with elastic lanyard LE 111 and connectors 2 x AZ 011 (galvanized steel, opening 18mm)

2,0 m



Ref. no. **AW170/LE111/2AZ002**

Energy absorber AW 170 with elastic lanyard LE 111 and connectors 2 x AZ 002 (galvanized steel, opening 19mm)

2,0 m



Ref. no. **AW170/LE111/2AZ003**

Energy absorber AW 170 with elastic lanyard LE 111 and connectors 2 x AZ 003 (aluminium, opening 20mm)

2,0 m



Ref. no. **AW170/LE111/AZ002/AZ029**

Energy absorber AW 170 with elastic lanyard LE 111 and connectors AZ 002 (galvanized steel, opening 19mm) AZ 029 (galvanized steel, plastic, opening 50mm)

2,0 m



Ref. no. **AW170/LE111/AZ003/AZ029**

Energy absorber AW 170 with elastic lanyard LE 111 and connectors AZ 002 (galvanized steel, opening 19mm) AZ 029 (galvanized steel, plastic, opening 50mm)

2,0 m

Ref. no. **AW170/LE111**

Energy absorber AW 170 with elastic lanyard LE 111 WITHOUT CONNECTORS

1,8 m

OTHER DEVICE CONFIGURATIONS ON SPECIAL REQUEST

AW170/2LE111

Energy absorber
with elastic twin-tail lanyard

EN 355

Ref. no.: **AW170/2LE111**



PARAMETERS

LANYARD

Material:	polyester
Manufacture:	kernmantle lanyard
Diameter:	28 mm

ENERGY ABSORBER

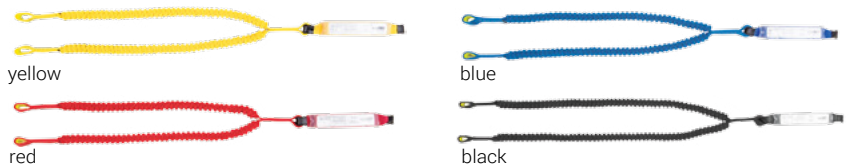
Manufacture:	polyamide webbing
Dimensions:	300x40x50 mm

SPECIAL FEATURES



Protection up
to 140 Kg

AVAILABLE COLOUR VERSIONS



DEVICE STANDARD CONFIGURATIONS

NEW CONNECTOR AZ 029

1 2 3



Ref. no. **AW170/2LE111/3AZ011**

Energy absorber AW 170 with elastic twin-tail lanyard 2 LE 111 and connectors 3 x AZ 011 (galvanized steel, opening 18mm)

2,0 m



Ref. no. **AW170/2LE111/AZ002/2AZ029**

Energy absorber AW 170 with elastic twin-tail lanyard 2 LE 111 and connectors AZ 002, 2 x AZ 029 (galvanized steel, opening 18mm) and 2 x AZ 029 (galvanized steel, plastic, opening 50mm)

2,0 m



Ref. no. **AW170/2LE111/AZ003/2AZ029**

Energy absorber AW 170 with elastic twin-tail lanyard 2 LE 111 and connectors AZ 003, 2 x AZ 029, AZ 003 (aluminium, opening 20mm) and 2 x AZ 029 (galvanized steel, plastic, opening 50mm)

2,0 m



Ref. no. **AW170/2LE111/AZ002/2AZ025**

Energy absorber AW 170 with elastic twin-tail lanyard 2 LE 111 and connectors AZ 002, 2 x AZ 025 (galvanized steel, opening 19mm) and 2 x AZ 025 (galvanized steel, opening 83mm)

2,0 m



Ref. no. **AW170/2LE111/AZ003/2AZ024**

Energy absorber AW 170 with elastic twin-tail lanyard 2 LE 111 and connectors AZ 003, 2 x AZ 024, AZ 003 (aluminium, opening 20mm) and 2 x AZ 024 (aluminium, opening 100mm)

2,0 m

Ref. no. **AW170/2LE111**

Energy absorber AW 170 with elastic twin-tail lanyard 2 LE 111 WITHOUT CONNECTORS

1,8 m

OTHER DEVICE CONFIGURATIONS ON SPECIAL REQUEST



PRODUCT
PRESENTATION

protekt.co/aw1702le111



energy
absorber AW170

loop
for connector

AW170/LE211 FLR

Heat-resistant energy absorber
with elastic lanyard

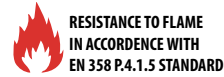
Ref. no.: **AW170/LE211FLR**



PARAMETERS

LANYARD		ENERGY ABSORBER	
Material:	aramid	Manufacture:	polyamide webbing
Manufacture:	aramid webbing	Dimensions:	300x40x50 mm
Width	28 mm		

SPECIAL FEATURES



DEVICE STANDARD CONFIGURATIONS

N NEW CONNECTOR AZ 029

1

2



Ref. no. **AW170/LE211FLR/2AZ011**

Energy absorber AW 170 with elastic lanyard LE 211 FLR and connectors 2 x AZ 011 (galvanized steel, opening 18mm)

2,0 m



Ref. no. **AW170/LE211FLR/2AZ002**

Energy absorber AW 170 with elastic lanyard LE 211 FLR and connectors 2 x AZ 002 (galvanized steel, opening 19mm)

2,0 m



Ref. no. **AW170/LE211FLR/2AZ003**

Energy absorber AW 170 with elastic lanyard LE 211 FLR and connectors 2 x AZ 003 (aluminium, opening 20mm)

2,0 m



Ref. no. **AW170/LE211FLR/AZ002/AZ029**

Energy absorber AW 170 with elastic lanyard LE 211 FLR and connectors AZ 002 (galvanized steel, opening 19mm) AZ 029 (galvanized steel, plastic, opening 50mm)

2,0 m



Ref. no. **AW170/LE211FLR/AZ003/AZ029**

Energy absorber AW 170 with elastic lanyard LE 211 FLR and connectors AZ 003 (aluminium, opening 20mm) AZ 029 (galvanized steel, plastic, opening 50mm)

2,0 m

Ref. no. **AW170/LE211FLR**

Energy absorber AW 170 with elastic lanyard LE 211 FLR without connectors

1,8 m

OTHER DEVICE CONFIGURATIONS ON SPECIAL REQUEST

AW170/2LE211 FLR

Heat-resistant energy absorber
with elastic twin-tail lanyard

Ref. no.: **AW170/2LE211FLR**



PARAMETERS

LANYARD

Material: aramid
 Manufacture: aramid webbing
 Diameter: 28 mm

ENERGY ABSORBER

Manufacture: polyamide webbing
 Dimensions: 300x40x50 mm

SPECIAL FEATURES



Protection up
to 140 Kg



RESISTANCE TO FLAME
IN ACCORDANCE WITH
EN 358 P.4.1.5 STANDARD

DEVICE STANDARD CONFIGURATIONS

N NEW CONNECTOR AZ 029

1 2 3

Ref. **AW170/2LE211FLR/3AZ011**



Energy absorber AW 170
with elastic twin-tail lanyard 2LE 211 FLR
and connectors 3 x AZ 011 (galvanized steel, opening 18mm)

2,0 m

Ref. **AW170/2LE211FLR/AZ002/2AZ029**



Energy absorber AW 170
with elastic twin-tail lanyard 2LE 211 FLR
and connectors AZ 002 (galvanized steel, opening 19mm)
2 x AZ 029 (galvanized steel, plastic, opening 50mm)

2,0 m

Ref. **AW170/2LE211FLR/AZ003/2AZ029**



Energy absorber AW 170 with elastic twin-tail lanyard 2LE 211 FLR
and connectors AZ 003 (galvanized steel, opening 20mm)
2 x AZ 029 (galvanized steel, plastic, opening 50mm)

2,0 m

Ref. **AW170/2LE211FLR/AZ002/2AZ025**



Energy absorber AW 170 with elastic twin-tail lanyard 2LE 211 FLR
and connectors AZ 002 (galvanized steel, opening 19mm)
2 x AZ 025 (galvanized steel, opening 83mm)

2,0 m

Ref. **AW170/2LE211FLR/AZ003/2AZ024**



Energy absorber AW 170
with elastic twin-tail lanyard 2LE 211 FLR
WITHOUT CONNECTORS

2,0 m

Ref. **AW170/2LE211FLR**

Energy absorber AW 170
with elastic twin-tail lanyard 2LE 211 FLR
WITHOUT CONNECTORS

1,8 m

OTHER DEVICE CONFIGURATIONS ON SPECIAL REQUEST

ABM/LB100

Energy absorber
with adjustable lanyard

EN 355

Ref. no.: **BW200/LB100**



PARAMETERS

LANYARD

Material: polyester
 Manufacture: kernmantle lanyard
 Diameter: 28 mm

ENERGY ABSORBER

Manufacture: polyamide webbing
 Dimensions: 300x40x50 mm

SPECIAL FEATURES



VG11 11.074
for use in the
vertical where fall
over the edge may
occur



R ≥ 0,5 mm
for profiles of radius
r 0.5mm without
sharp edges

DEVICE STANDARD CONFIGURATIONS

N NEW CONNECTOR AZ 029

1	2		
		Ref. BW200/LB100/2AZ011 Energy absorber with lanyard LB 100 and connectors 2 x AZ 011 (galvanized steel, opening 18mm)	2,0 m
		Ref. BW200/LB100/2AZ002 Energy absorber ABM with lanyard LB 100 and connectors 2 x AZ 002 (galvanized steel, opening 19mm)	2,0 m
		Ref. BW200/LB100/2AZ003 Energy absorber ABM with lanyard LB 100 and connectors 2 x AZ 003 (aluminium, opening 20mm)	2,0 m
		Ref. BW200/LB100/AZ002/AZ029 Energy absorber ABM with lanyard LB 100 and connectors AZ 002 (galvanized steel, opening 19mm) AZ 029 (galvanized steel, plastic, opening 50mm)	2,0 m
		Ref. BW200/LB100/AZ003/AZ029 Energy absorber ABM with lanyard LB 100 and connectors AZ 003 (aluminium, opening 20mm) AZ 029 (galvanized steel, plastic, opening 50mm)	2,0 m
		Ref. BW200/LB100 Energy absorber ABM with adjustable lanyard LB 100 WITHOUT CONNECTORS	1,8 m

OTHER DEVICE CONFIGURATIONS ON SPECIAL REQUEST

ABM/2LB100

Energy absorber
with adjustable twin-tail lanyard

EN 355

Ref. no.: **BW200/2LB100**



PARAMETERS

LANYARD

Material:	polyester
Manufacture:	kernmantle lanyard
Diameter:	12 mm

ENERGY ABSORBER

Manufacture:	polyamide webbing
Dimensions:	200x32x45 mm

SPECIAL FEATURES



**PERMITTED TO WORK IN
POTENTIALLY EXPLOSIVE AREAS**



VG11 11.074
for use in the
vertical where fall
over the edge may
occur



R ≥ 0,5 mm
for profiles of radius
r 0.5mm without
sharp edges

DEVICE STANDARD CONFIGURATIONS

N NEW CONNECTOR AZ 029



Ref. no. **BW200/2LB100/3AZ011**

Energy absorber ABM with adjustable lanyard 2 LB 100
and connectors 3 x AZ 011
(galvanized steel, opening 18mm)

2,0 m



Ref. no. **BW200/2LB100/AZ002/2AZ029**

Energy absorber ABM with adjustable lanyard 2 LB 100
and connectors AZ 002 (galvanized steel, opening 19mm)
2 x AZ 029 (galvanized steel, plastic, opening 50mm)

2,0 m



Ref. no. **BW200/2LB100/AZ003/2AZ029**

Energy absorber ABM with adjustable lanyard LB 100 and connectors
AZ 003 (aluminium, opening 20mm)
2 x AZ 029 (galvanized steel, plastic, opening 50mm)

2,0 m



Ref. no. **BW200/2LB100/AZ002/2AZ025**

Energy absorber ABM with adjustable lanyard 2 LB 100
and connectors AZ 002 (galvanized steel, opening 19mm)
2 x AZ 025 (galvanized steel, opening 83mm)

2,0 m



Ref. no. **BW200/2LB100/AZ003/2AZ024**

Energy absorber ABM with adjustable lanyard LB 100 and
connectors AZ 003 (aluminium, opening 20mm)
2 x AZ 024 (aluminium, opening 100mm)

2,0 m

nr kat. **BW200/2LB100**

Energy absorber ABM with adjustable safety lanyard 2
LB 100
WITHOUT CONNECTORS

1,8 m

OTHER DEVICE CONFIGURATIONS ON SPECIAL REQUEST

ABM/LB101

Energy absorber with lanyard

EN 355

Ref. no.: **BW200/LB101**



ENERGY ABSORBER TESTED
IN LABORATORY

protekt.co/abmlb101lab



PARAMETERS

LANYARD

Material: polyester
 Manufacture: kernmantle lanyard
 Diameter: 10,5 mm

ENERGY ABSORBER

Manufacture: polyamide webbing
 Dimensions: 200x32x45 mm

SPECIAL FEATURES



**PERMITTED TO WORK IN
POTENTIALLY EXPLOSIVE AREAS**

DEVICE STANDARD CONFIGURATIONS

N NEW CONNECTOR AZ 029

1

2



Ref. no. **BW200/LB101/2AZ011**

Energy absorber ABM with lanyard LB 101
and connectors 2 x AZ 011 (galvanized steel, opening 18mm)

2,0 m



Ref. no. **BW200/LB101/2AZ002**

Energy absorber ABM with lanyard LB 101
and connectors 2 x AZ 002 (galvanized steel, opening 19mm)

2,0 m



Ref. no. **BW200/LB101/2AZ003**

Energy absorber ABM with lanyard LB 101
and connectors 2 x AZ 003 (aluminium, opening 20mm)

2,0 m



Ref. no. **BW200/LB101/AZ002/AZ029**

Energy absorber ABM with lanyard LB 101
and connectors AZ 002 (galvanized steel, opening 19mm)
AZ 029 (galvanized steel, plastic, opening 50mm)

2,0 m



Ref. no. **BW200/LB101/AZ003/AZ029**

Energy absorber ABM with lanyard LB 101
and connectors AZ 003 (aluminium, opening 20mm)
AZ 029 (galvanized steel, plastic, opening 50mm)

2,0 m

Ref. no. **BW200/LB101**

Energy absorber ABM with lanyard LB 101
WITHOUT CONNECTORS

1,8 m

OTHER DEVICE CONFIGURATIONS ON SPECIAL REQUEST

ABM/LB102

Energy absorber
with twin-tail lanyard

EN 355

Ref. no.: **BW200/LB102**



PARAMETERS

LANYARD

Material:	polyester
Manufacture:	kernmantle lanyard
Diameter:	10,5 mm

ENERGY ABSORBER

Manufacture:	polyamide webbing
Dimensions:	200x32x45 mm

SPECIAL FEATURES



**PERMITTED TO WORK IN
POTENTIALLY EXPLOSIVE AREAS**

DEVICE STANDARD CONFIGURATIONS

NEW CONNECTOR AZ 029

1	2	3		
			Ref. no. BW200/LB102/3AZ011	
Energy absorber ABM with lanyard LB 102 and connectors 3 x AZ 011 (galvanized steel, opening 18mm)				2,0 m
			Ref. no. BW200/LB102/AZ002/2AZ029	
Energy absorber ABM with lanyard LB 102 and connectors AZ 002 (galvanized steel, opening 19mm) 2 x AZ 029 (galvanized steel, plastic, opening 50mm)				2,0 m
			Ref. no. BW200/LB102/AZ003/2AZ029	
Energy absorber ABM with lanyard LB 102 and connectors AZ 003 (aluminium, opening 20mm) 2 x AZ 029 (galvanized steel, plastic, opening 50mm)				2,0 m
			Ref. no. BW200/LB102/AZ002/2AZ025	
Energy absorber ABM with lanyard LB 102 and connectors AZ 002 (galvanized steel, opening 19mm) 2 x AZ 025 (galvanized steel, opening 83mm)				2,0 m
			Ref. no. BW200/LB102/AZ003/2AZ024	
Energy absorber ABM with lanyard LB 102 and connectors AZ 003 (aluminium, opening 20mm) 2 x AZ 024 (aluminium, opening 100mm)				2,0 m
Ref. no. BW200/LB102				
Energy absorber ABM with lanyard LB 102 WITHOUT CONNECTORS				1,8 m

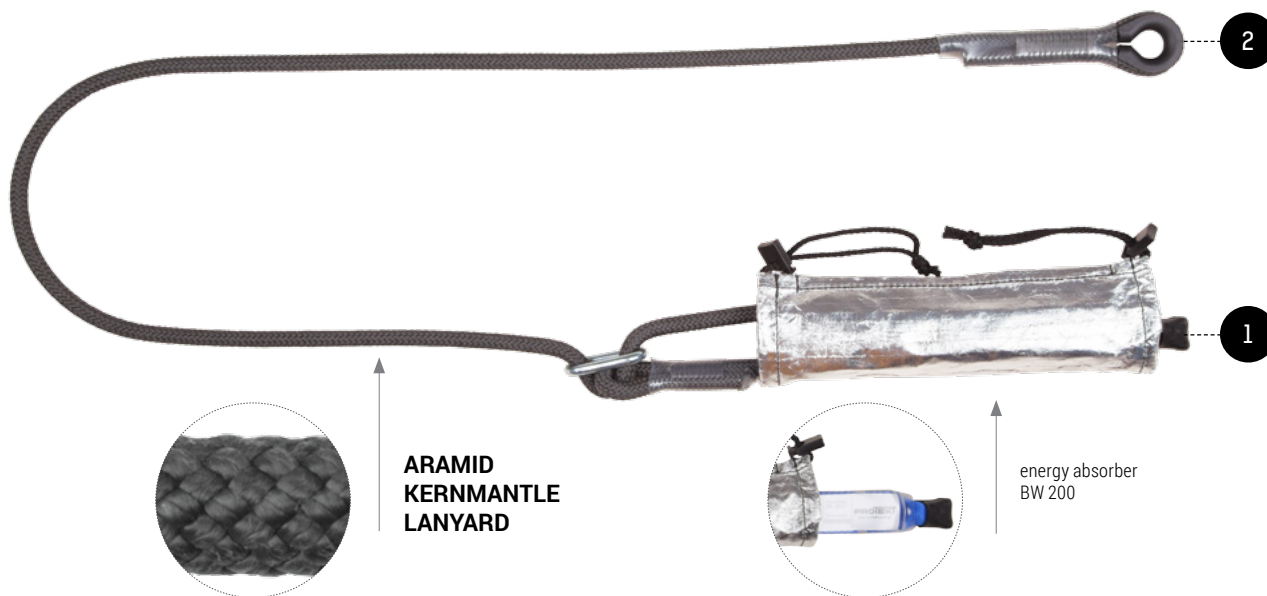
OTHER DEVICE CONFIGURATIONS ON SPECIAL REQUEST

ABM/LB200 FLR

Heat-resistant energy absorber
with adjustable lanyard

EN 355

Ref. no.: **BW200/LB200**



PARAMETERS

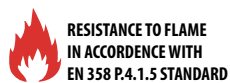
LANYARD

Material:	aramid
Manufacture:	aramid kernmantle lanyard
Diameter:	11,4 mm

ENERGY ABSORBER

Manufacture:	polyamide webbing
Dimensions:	200x32x45 mm

SPECIAL FEATURES



DEVICE STANDARD CONFIGURATIONS

N NEW CONNECTOR AZ 029

1	2		
		Ref. no. BW200/LB200FLR/2AZ011	
		Energy absorber ABM with lanyard LB 200 FLR and connectors 2 x AZ 002 (galvanized steel, opening 19mm)	2,0 m
		Ref. no. BW200/LB200FLR/2AZ002	
		Energy absorber ABM with lanyard LB 200 FLR and connectors 2 x AZ 002 (galvanized steel, opening 19mm)	2,0 m
		Ref. no. BW200/LB200FLR/2AZ003	
		Energy absorber ABM with lanyard LB 200 FLR and connectors 2 x AZ 003 (aluminium, opening 20mm)	2,0 m
		Ref. no. BW200/LB200FLR/AZ002/AZ029	
		Energy absorber ABM with lanyard LB 200 FLR and connectors AZ 002 (galvanized steel, opening 19mm) AZ 029 (galvanized steel, plastic, opening 50mm)	2,0 m
		Ref. no. BW200/LB200FLR/AZ003/AZ029	
		Energy absorber ABM with lanyard LB 200 FLR and connectors AZ 003 (aluminium, opening 20mm) AZ 029 (galvanized steel, plastic, opening 50mm)	2,0 m
		Ref. no. BW200/LB200FLR	
		Energy absorber ABM with lanyard LB 200 FLR WITHOUT CONNECTORS	1,8 m

OTHER DEVICE CONFIGURATIONS ON SPECIAL REQUEST

ABM/LB201 FLR

Heat-resistant energy absorber with adjustable lanyard

EN 355

Ref. no.: BW200/LB201



PARAMETERS

LANYARD

Material:	aramid
Manufacture:	aramid kernmantle lanyard
Diameter:	11,4 mm

ENERGY ABSORBER

Manufacture:	polyamide webbing
Dimensions:	200x32x45 mm

SPECIAL FEATURES



RESISTANCE TO FLAME
IN ACCORDANCE WITH
EN 358 P.4.1.5 STANDARD

DEVICE STANDARD CONFIGURATIONS

NEW CONNECTOR AZ 029

1



2



Ref. no. **BW200/LB201FLR/2AZ011**
Energy absorber ABM with lanyard LB 200 FLR
and connectors 2 x AZ 011 (galvanized steel, opening 18mm)

2,0 m



Ref. no. **BW200/LB201FLR/2AZ002**
Energy absorber ABM with lanyard LB 200 FLR
and connectors 2 x AZ 002 (galvanized steel, opening 19mm)

2,0 m



Ref. no. **BW200/LB201FLR/2AZ003**
Energy absorber ABM with lanyard LB 200 FLR
and connectors 2 x AZ 003 (aluminium, opening 20mm)

2,0 m



Ref. no. **BW200/LB201FLR/AZ002/AZ029**
Energy absorber ABM with lanyard LB 200 FLR
and connectors AZ 003 (aluminium, opening 20mm)
AZ 029 (galvanized steel, plastic, opening 50mm)

2,0 m



Ref. no. **BW200/LB201FLR/AZ003/AZ029**
Energy absorber ABM with lanyard LB 200 FLR
and connectors AZ 003 (aluminium, opening 20mm)
AZ 029 (galvanized steel, plastic, opening 50mm)

2,0 m

Ref. no. **BW200/LB201FLR**

Energy absorber ABM with lanyard LB 200 FLR
WITHOUT CONNECTORS

1,8 m

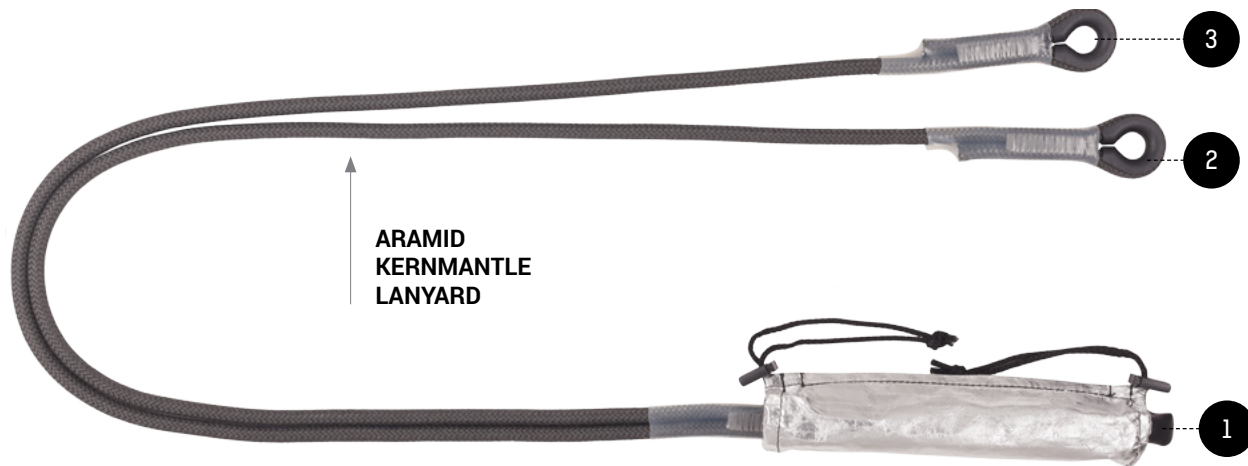
OTHER DEVICE CONFIGURATIONS ON SPECIAL REQUEST

ABM/LB202 FLR

Heat-resistant energy absorber with twin-tail lanyard

EN 355

Ref. no.: **BW200/2LB202**



PARAMETERS

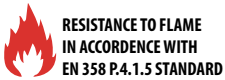
LANYARD

Material:	aramid
Manufacture:	aramid kernmantle lanyard
Diameter:	11,4 mm

ENERGY ABSORBER

Manufacture:	polyamide webbing
Dimensions:	200x32x45 mm

SPECIAL FEATURES



DEVICE STANDARD CONFIGURATIONS

N NEW CONNECTOR AZ 029

1	2	3		
			Ref. no. BW200/LB202/3AZ011	
			Energy absorber ABM with adjustable twin-tail lanyard LB 202 and connectors 3 x AZ 011 (galvanized steel, opening 18mm)	2,0 m
			Ref. no. BW200/LB202/AZ002/2AZ029	
			Energy absorber ABM with lanyard LB 202 and connectors AZ 002 (galvanized steel, opening 19mm) 2 x AZ 029 (galvanized steel, plastic, opening 50mm)	2,0 m
			Ref. no. BW200/LB202/AZ003/2AZ029	
			Energy absorber ABM with lanyard LB 202 and connectors AZ 003 (aluminium, opening 20mm) 2 x AZ 029 (galvanized steel, plastic, opening 50mm)	2,0 m
			Ref. no. BW200/LB202/AZ002/2AZ025	
			Energy absorber ABM with lanyard LB 202 and connectors AZ 002 (galvanized steel, opening 19mm) 2 x AZ 025 (galvanized steel, opening 83mm)	2,0 m
			Ref. no. BW200/LB202/AZ003/2AZ024	
			Energy absorber ABM with lanyard LB 202 and connectors AZ 003 (aluminium, opening 20mm) 2 x AZ 024 (aluminium, opening 100mm)	2,0 m
			Ref. no. BW200/LB202	
			Energy absorber ABM with adjustable twin-tail lanyard LB 202 WITHOUT CONNECTORS	1,8 m

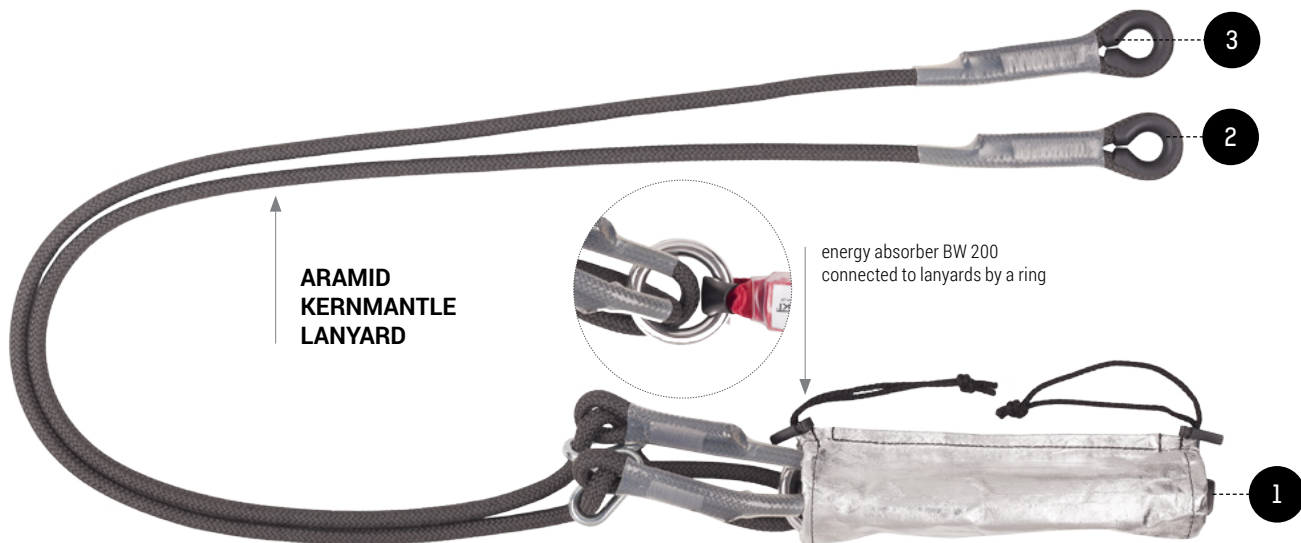
OTHER DEVICE CONFIGURATIONS ON SPECIAL REQUEST

ABM/2LB200 FLR

Heat-resistant energy absorber
with adjustable twin-tail lanyard

EN 355

Ref. no.: **BW200/2LB200**



PARAMETERS

LANYARD

Material:	aramid
Manufacture:	aramid kernmantle lanyard
Diameter:	11,4 mm

ENERGY ABSORBER

Manufacture:	polyamide webbing
Dimensions:	200x32x45 mm

SPECIAL FEATURES



RESISTANCE TO FLAME
IN ACCORDANCE WITH
EN 358 P.4.1.5 STANDARD

DEVICE STANDARD CONFIGURATIONS

NEW CONNECTOR AZ 029

1	2	3		
			Ref. no. BW200/2LB200/3AZ011	
			Energy absorber ABM with adjustable twin-tail lanyard 2 LB 200 and connectors 3 x AZ 011 (galvanized steel, opening 18mm)	2,0 m
			Ref. no. BW200/2LB200/AZ002/2AZ029	
			Energy absorber ABM with lanyard 2 LB 200 and connectors AZ 002 (galvanized steel, opening 19mm) 2 x AZ 029 (galvanized steel, plastic, opening 50mm)	2,0 m
			Ref. no. BW200/2LB200/AZ003/2AZ029	
			Energy absorber ABM with lanyard 2 LB 200 and connectors AZ 003 (aluminium, opening 20mm) 2 x AZ 029 (galvanized steel, plastic, opening 50mm)	2,0 m
			Ref. no. BW200/2LB200/AZ002/2AZ025	
			Energy absorber ABM with lanyard 2 LB 200 and connectors AZ 002 (galvanized steel, opening 19mm) 2 x AZ 025 (galvanized steel, opening 83mm)	2,0 m
			Ref. no. BW200/2LB200/AZ003/2AZ024	
			Energy absorber ABM with lanyard 2 LB 200 and connectors AZ 003 (aluminium, opening 20mm) 2 x AZ 024 (aluminium, opening 100mm)	2,0 m
			Ref. no. BW200/2LB200	
			Energy absorber ABM with adjustable twin-tail lanyard 2 LB 200 WITHOUT CONNECTORS	1,8 m

OTHER DEVICE CONFIGURATIONS ON SPECIAL REQUEST

ABM/LE111

Energy absorber with elastic lanyard

EN 355

Ref. no.: **BW200/LE111**



PARAMETERS

LANYARD		ENERGY ABSORBER	
Material:	polyester	Manufacture:	polyamide webbing
Manufacture:	polyester webbing	Dimensions:	200x32x45 mm
Diameter:	28 mm		

AVAILABLE COLOR VERSIONS



DEVICE STANDARD CONFIGURATIONS

N NEW CONNECTOR AZ 029

1	2	Configuration	Length
		Ref. no. BW200/LE111/2AZ011 Energy absorber ABM with lanyard LE 111 and connectors 2 x AZ 011 (galvanized steel, opening 18mm)	2,0 m
		Ref. no. BW200/LE111/2AZ002 Energy absorber ABM with lanyard LE 111 and connectors 2 x AZ 002 (galvanized steel, opening 19mm)	2,0 m
		Ref. no. BW200/LE111/2AZ003 v Energy absorber ABM with lanyard LE 111 and connectors 2 x AZ 003 (aluminium, opening 20mm)	2,0 m
		Ref. no. BW200/LE111/AZ002/AZ029 Energy absorber ABM with lanyard LE 111 and connectors AZ 002 (galvanized steel, opening 19mm) AZ 029 (galvanized steel, plastic, opening 50mm)	2,0 m
		Ref. no. BW200/LE111/AZ003/AZ029 Energy absorber ABM with lanyard LE 111 and connectors AZ 003 (aluminium, opening 20mm) AZ 029 (galvanized steel, plastic, opening 50mm)	2,0 m
		Ref. no. BW200/LE111 Energy absorber ABM with lanyard LE 111 WITHOUT CONNECTORS	1,8 m

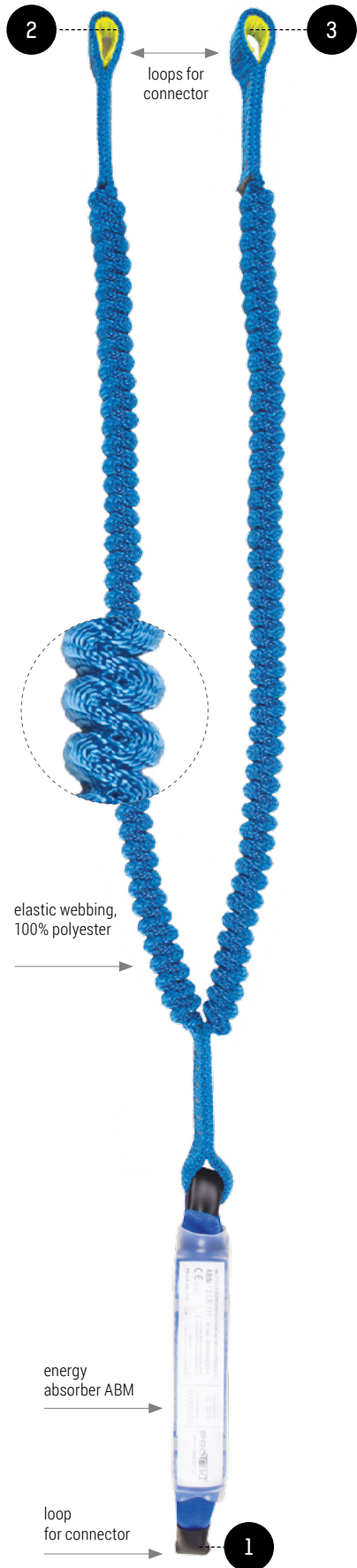
OTHER DEVICE CONFIGURATIONS ON SPECIAL REQUEST

ABM/2LE111

Energy absorber with elastic twin-tail lanyard

EN 355

Ref. no.: BW200/2LE111



PARAMETERS

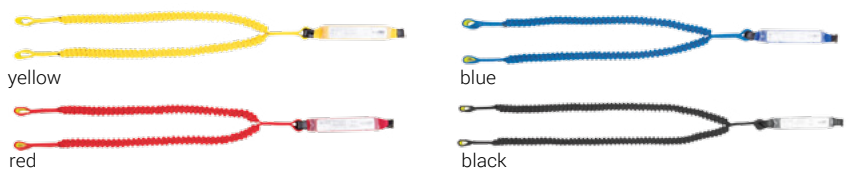
LANYARD

Material:	polyester
Manufacture:	polyester webbing
Diameter:	28 mm

ENERGY ABSORBER

Manufacture:	polyamide webbing
Dimensions:	200x32x45 mm

AVAILABLE COLOUR VERSIONS



DEVICE STANDARD CONFIGURATIONS

NEW CONNECTOR AZ 029

1	2	3		
			Ref. no. BW200/2LE111/3AZ011	
			Energy absorber ABM with twin-tail lanyard 2 LE 111 and connectors 3 x AZ 011 (galvanized steel, opening 18mm)	2,0 m
			Ref. no. BW200/2LE111/AZ002/2AZ029	
			Energy absorber ABM with twin-tail lanyard 2 LE 111 and connectors AZ 002 (galvanized steel, opening 19mm) 2 x AZ 029 (galvanized steel, plastic, opening 50mm)	2,0 m
			Ref. no. BW200/2LE111/AZ003/2AZ029	
			Energy absorber ABM with twin-tail lanyard 2 LE 111 and connectors AZ 003 (aluminium, opening 20mm) 2 x AZ 029 (galvanized steel, plastic, opening 50mm)	2,0 m
			Ref. no. BW200/2LE111/AZ002/2AZ025	
			Energy absorber ABM with twin-tail lanyard 2 LE 111 and connectors AZ 003 (aluminium, opening 20mm) 2 x AZ 024 (aluminium, opening 100mm)	2,0 m
			Ref. no. BW200/2LE111/AZ003/2AZ024	
			Energy absorber ABM with twin-tail lanyard 2 LE 111 and connectors AZ 003 (aluminium, opening 20mm) 2 x AZ 024 (aluminium, opening 100mm)	2,0 m
			Ref. no. BW200/2LE111	
			Energy absorber ABM with twin-tail lanyard 2 LE 111 WITHOUT CONNECTORS	1,8 m

OTHER DEVICE CONFIGURATIONS ON SPECIAL REQUEST

EN 355

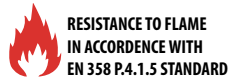
Ref. no.: **BW200/LE211**



PARAMETERS

LANYARD		ENERGY ABSORBER	
Material:	aramid	Manufacture:	polyamide webbing
Manufacture:	aramid webbing	Dimensions:	200x32x45 mm
Diameter:	28 mm		

SPECIAL FEATURES



DEVICE STANDARD CONFIGURATIONS

NEW CONNECTOR AZ 029

1

2



Ref. no. **ABM/LE211/2AZ011**

Energy absorber ABM with elastic lanyard LE 211 and connectors 2 x AZ 011 (galvanized steel, opening 18mm)

2,0 m



Ref. no. **ABM/LE211/2AZ002**

Energy absorber ABM with elastic lanyard LE 211 and connectors 2 x AZ 002 (galvanized steel, opening 19mm)

2,0 m



Ref. no. **ABM/LE211/2AZ003**

Energy absorber ABM with elastic lanyard LE 211 and connectors 2 x AZ 003 (aluminium, opening 20mm)

2,0 m



Ref. no. **ABM/LE211/AZ002/AZ029**

Energy absorber ABM with elastic lanyard LE 211 and connectors AZ 002 (galvanized steel, opening 19mm) AZ 029 (galvanized steel, plastic, opening 50mm)

2,0 m



Ref. no. **ABM/LE211/AZ003/AZ029**

Energy absorber ABM with elastic lanyard LE 211 and connectors AZ 003 (aluminium, opening 20mm) AZ 029 (galvanized steel, plastic, opening 50mm)

2,0 m

Ref. no. **ABM/LE211**

Energy absorber ABM with elastic lanyard LE 211 without connectors

1,8 m

OTHER DEVICE CONFIGURATIONS ON SPECIAL REQUEST

ABM/2LE211 FLR

Heat-resistant energy absorber
with elastic twin-tail lanyard

NEW

EN 355

Ref. no.: **BW200/2LE211**

CE



PARAMETERS

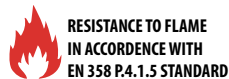
LANYARD

Material:	aramid
Manufacture:	aramid webbing
Diameter:	28 mm

ENERGY ABSORBER

Manufacture:	polyamide webbing
Dimensions:	200x32x45 mm

SPECIAL FEATURES



DEVICE STANDARD CONFIGURATIONS

N NEW CONNECTOR AZ 029



Ref. no. **ABM/2LE211/3AZ011**



Energy absorber ABM with elastic twin-tail lanyard 2LE 211 and connectors 3 x AZ 011 (galvanized steel, opening 18mm)

2,0 m



Ref. no. **ABM/2LE211/AZ002/2AZ029**



Energy absorber ABM with elastic twin-tail lanyard 2LE 211 and connectors AZ 002, 2 x AZ 029 (galvanized steel, opening 18mm) 2 x AZ 029 (galvanized steel, plastic, opening 50mm)

2,0 m



Ref. no. **ABM/2LE211/AZ003/2AZ029**



Energy absorber ABM with elastic twin-tail lanyard 2LE 211 and connectors AZ 003, 2 x AZ 029, AZ 003 (aluminium, opening 20mm) 2 x AZ 029 (galvanized steel, plastic, opening 50mm)

2,0 m



Ref. no. **ABM/2LE211/AZ002/2AZ025**



Energy absorber ABM with elastic twin-tail lanyard 2LE 211 and connectors AZ 002, 2 x AZ 025 AZ 002 (galvanized steel, opening 19mm) 2 x AZ 025 (galvanized steel, opening 83mm)

2,0 m



Ref. no. **ABM/2LE211/AZ003/2AZ024**



Energy absorber ABM with elastic twin-tail lanyard 2LE 211 and connectors AZ 003, 2 x AZ 024 AZ 003 (aluminium, opening 20mm) 2 x AZ 024 (aluminium, opening 100mm)

2,0 m

Ref. no. **ABM/2LE211**

Energy absorber ABM with elastic twin-tail lanyard 2LE 211 WITHOUT CONNECTORS

1,8 m

OTHER DEVICE CONFIGURATIONS ON SPECIAL REQUEST

ABM-T

Energy absorber ABM-T

EN 355

Ref. no.: **BW700**



PARAMETERS

WEBBING		ENERGY ABSORBER	
Manufacture:	polyester webbing	Manufacture:	polyamide webbing
Width:	30 mm	Dimensions:	200x32x45 mm

DEVICE STANDARD CONFIGURATIONS

N NEW CONNECTOR AZ 029

1	2		
		Ref. no. BW700/2AZ011 Energy absorber ABM-T with connectors 2 x AZ 011 (galvanized steel, opening 18mm)	2,0 m
		Ref. no. BW700/2AZ002 Energy absorber ABM-T with connectors 2 x AZ 002 (galvanized steel, opening 19mm)	2,0 m
		Ref. no. BW700/2AZ003 Energy absorber ABM-T with connectors 2 x AZ 003 (aluminium, opening 20mm)	2,0 m
		Ref. no. BW700/AZ002/AZ029 Energy absorber ABM-T with connectors AZ 002 (galvanized steel, opening 19mm) AZ 029 (galvanized steel, plastic, opening 50mm)	2,0 m
		Ref. no. BW700/AZ003/AZ029 Energy absorber ABM-T with connectors AZ 003 (aluminium, opening 20mm) AZ 029 (galvanized steel, plastic, opening 50mm)	2,0 m
		Ref. no. BW700 Energy absorber ABM-T WITHOUT CONNECTORS	1,8 m

OTHER DEVICE CONFIGURATIONS ON SPECIAL REQUEST

ABM-2T

Energy absorber ABM-2T

EN 355

Ref. no.: **BW800**



PARAMETERS

WEBBING

Manufacture: polyester webbing
Width: 30 mm

ENERGY ABSORBER

Manufacture: polyamide webbing
Dimensions: 200x32x45 mm

DEVICE STANDARD CONFIGURATIONS

NEW CONNECTOR AZ 029



Ref. no. **BW800/2T/3AZ011**

Energy absorber ABM-2T with connectors
3 x AZ 011 (galvanized steel, opening 18mm)

2,0 m



Ref. no. **BW800/2T/AZ002/2AZ029**

Energy absorber ABM-2T with connectors
AZ 002, 2 x AZ 029, AZ 002 (galvanized steel, opening 19mm)
2 x AZ 029 (galvanized steel, plastic, opening 50mm)

2,0 m



Ref. no. **BW800/2T/AZ003/2AZ029**

Energy absorber ABM-2T with connectors
AZ 003, 2 x AZ 029, AZ 003 (aluminium, opening 20mm)
2 x AZ 029 (galvanized steel, plastic, opening 50mm)

2,0 m



Ref. no. **BW800/2T/AZ002/2AZ025**

Energy absorber ABM-2T with connectors ABM-2T AZ 002
(galvanized steel, opening 19mm)
2 x AZ 025 (galvanized steel, opening 83mm)

2,0 m



Ref. no. **BW800/2T/AZ003/2AZ024**

Energy absorber ABM-2T
AZ 003 (aluminium, opening 20mm)
2 x AZ 024 (aluminium, opening 100mm)

2,0 m

Ref. no. **BW800/2T**

Energy absorber ABM-2T
WITHOUT CONNECTORS

1,8 m

OTHER DEVICE CONFIGURATIONS ON SPECIAL REQUEST

ABM/LB100 HV

Energy absorber with adjustable lanyard HV

EN 355

Ref. no.: **BW200/LB100HV**



PARAMETERS





















LANYARD		ENERGY ABSORBER	
Material:	polyester	Manufacture:	polyamide webbing
Manufacture:	kernmantle lanyard	Dimensions:	200x32x45 mm
Diameter:	28 mm		

COLOUR VERSIONS

	HV ORANGE		HV YELLOW/GREEN
---	-----------	---	-----------------

DEVICE STANDARD CONFIGURATIONS

 NEW CONNECTOR AZ 029

		Ref. no. BW200/LB100HV/2AZ011	
		Energy absorber with lanyard LB 100 HV and connectors 2 x AZ 011 (galvanized steel, opening 18mm)	2,0 m
		Ref. no. BW200/LB100HV/2AZ002	
		Energy absorber ABM with lanyard LB 100 HV and connectors 2 x AZ 002 (galvanized steel, opening 19mm)	2,0 m
		Ref. no. BW200/LB100HV/2AZ003	
		Energy absorber ABM with lanyard LB 100 HV and connectors 2 x AZ 003 (aluminium, opening 20mm)	2,0 m
		Ref. no. BW200/LB100HV/AZ002/AZ029	
		Energy absorber ABM with lanyard LB 100 HV and connectors AZ 002 (galvanized steel, opening 19mm) AZ 029 (galvanized steel, plastic, opening 50mm)	2,0 m
		Ref. no. BW200/LB100HV/AZ003/AZ029	
		Energy absorber ABM with lanyard LB 100 HV and connectors AZ 003 (aluminium, opening 20mm) AZ 029 (galvanized steel, plastic, opening 50mm)	2,0 m
		Ref. no. BW200/LB100HV	
		Energy absorber ABM with lanyard LB 100 HV WITHOUT CONNECTORS	1,8 m

OTHER DEVICE CONFIGURATIONS ON SPECIAL REQUEST

ABM/LB101 HV

Energy absorber with lanyard HV

EN 355

Ref. no.: **BW200/LB101HV**



PARAMETERS

LANYARD		ENERGY ABSORBER	
Material:	polyester	Manufacture:	polyamide webbing
Manufacture:	kernmantle lanyard	Dimensions:	200x32x45 mm
Diameter:	10,5 mm		

COLOUR VERSIONS



HV ORANGE



HV YELLOW/GREEN

DEVICE STANDARD CONFIGURATIONS

NEW CONNECTOR AZ 029

1

2



Ref. no. **BW200/LB101HV/2AZ011**

Energy absorber ABM with lanyard LB 101 HV and connectors 2 x AZ 011 (galvanized steel, opening 18mm)

2,0 m



Ref. no. **BW200/LB101HV/2AZ002**

Energy absorber ABM with lanyard LB 101 HV and connectors 2 x AZ 002 (galvanized steel, opening 19mm)

2,0 m



Ref. no. **BW200/LB101HV/2AZ003**

Energy absorber ABM with lanyard LB 101 HV and connectors 2 x AZ 003 (aluminium, opening 20mm)

2,0 m



Ref. no. **BW200/LB101HV/AZ002/AZ029**

Energy absorber ABM with lanyard LB 101 HV and connectors AZ 002 (galvanized steel, opening 19mm) AZ 029 (galvanized steel, plastic, opening 50mm)

2,0 m



Ref. no. **BW200/LB101HV/AZ003/AZ029**

Energy absorber ABM with lanyard LB 101 HV and connectors AZ 003 (aluminium, opening 20mm) AZ 029 (galvanized steel, plastic, opening 50mm)

2,0 m

Ref. no. **BW200/LB101HV**

Energy absorber ABM with lanyard LB 101 HV WITHOUT CONNECTORS

1,8 m

OTHER DEVICE CONFIGURATIONS ON SPECIAL REQUEST

ABM/LB102 HV

Energy absorber with twin tail lanyard HV

EN 355

Ref. no.: **BW200/LB102HV**



PRODUCT PRESENTATION

protekt.co/abmlb102hv



DEVICE STANDARD CONFIGURATIONS

N NEW CONNECTOR AZ 029

PARAMETERS

LANYARD

Material:	polyester
Manufacture:	kernmantle lanyard
Diameter:	10,5 mm

ENERGY ABSORBER

Manufacture:	polyamide webbing
Dimensions:	200x32x45 mm

COLOUR VERSIONS

	HV ORANGE
	HV YELLOW/GREEN

1 2 3



Ref. no. **BW200/LB102HV/3AZ011**

Energy absorber ABM with twin-tail lanyard LB 102 HV and connectors 3 x AZ 011 (galvanized steel, opening 18mm)

2,0 m



Ref. no. **BW200/LB102HV/AZ002/2AZ029**

Energy absorber ABM with twin-tail lanyard LB 102 HV and connectors AZ 002, 2 x AZ 029, AZ 002 (galvanized steel, opening 19mm) 2 x AZ 029 (galvanized steel, plastic, opening 50mm)

2,0 m



Ref. no. **BW200/LB102HV/AZ003/2AZ029**

Energy absorber ABM with twin-tail lanyard LB 102 HV and connectors AZ 003, 2 x AZ 029, AZ 003 (aluminium, opening 20mm) 2 x AZ 029 (galvanized steel, plastic, opening 50mm)

2,0 m



Ref. no. **BW200/LB102HV/AZ002/2AZ025**

Energy absorber ABM with twin-tail lanyard LB 102 HV and connectors AZ 002 (galvanized steel, opening 19mm) 2 x AZ 025 (galvanized steel, opening 83mm)

2,0 m



Ref. no. **BW200/LB102HV/AZ003/2AZ024**

Amortyzator bezpieczeństwa ABM z podwójną linką bezpieczeństwa LB 102 HV z zatrzasknikami AZ 003 (aluminium, otwarcie 20 mm) 2 x AZ 024 (aluminium, otwarcie 100 mm)

2,0 m

Ref. no. **BW200/LB102HV**

Energy absorber ABM with twin-tail lanyard LB 102 HV WITHOUT CONNECTORS

1,8 m

OTHER DEVICE CONFIGURATIONS ON SPECIAL REQUEST

ABM-T HV

Energy absorber with webbing HV

EN 355

Ref. no.: **BW700 HV**



PARAMETERS

WEBBING		ENERGY ABSORBER	
Material:	polyester	Manufacture:	polyamide webbing
Width:	30 mm	Dimensions:	200x32x45 mm

AVAILABLE COLOUR VERSIONS



DEVICE STANDARD CONFIGURATIONS

N NEW CONNECTOR AZ 029

1	2		
		Ref. no. BW700/2AZ011 HV Energy absorber ABM-T HV with connectors 2 x AZ 011 (galvanized steel, opening 18mm)	2,0 m
		Ref. no. BW700/2AZ002 HV Energy absorber ABM-T HV with connectors 2 x AZ 002 (galvanized steel, opening 19mm)	2,0 m
		Ref. no. BW700/2AZ003 HV Energy absorber ABM-T HV with connectors 2 x AZ 003 (aluminium, opening 20mm)	2,0 m
		Ref. no. BW700/AZ002/AZ029 HV Energy absorber ABM-T HV with connectors AZ 002 (galvanized steel, opening 19mm) AZ 029 (galvanized steel, plastic, opening 50mm)	2,0 m
		Ref. no. BW700/AZ003/AZ029 HV Energy absorber ABM-T HV with connectors AZ 003 (aluminium, opening 20mm) AZ 029 (galvanized steel, plastic, opening 50mm)	2,0 m
		Ref. no. BW700 HV Energy absorber ABM-T HV WITHOUT CONNECTORS	1,8 m



OTHER DEVICE CONFIGURATIONS ON SPECIAL REQUEST

ABM-2T HV

Energy absorber with twin-tail webbing HV

EN 355

Ref. no.: **BW800 HV**



PARAMETERS

WEBBING

Material: polyester
Width: 30 mm

ENERGY ABSORBER

Manufacture: polyamide webbing
Dimensions: 200x32x45 mm

COLOUR VERSIONS

- HV ORANGE
- HV YELLOW/GREEN

DEVICE STANDARD CONFIGURATIONS

NEW CONNECTOR AZ 029

1	2	3		
			Ref. no. BW800/3AZ011	
			Energy absorber ABM-2T HV with connectors 3 x AZ 011 (galvanized steel, opening 18mm)	2,0 m
			Ref. no. BW800/AZ002/2AZ029	
			Energy absorber ABM-2T HV with connectors AZ 002 (galvanized steel, opening 19mm) 2 x AZ 029 (galvanized steel, plastic, opening 50mm)	2,0 m
			Ref. no. BW800/AZ003/2AZ029	
			Energy absorber ABM-2T HV with connectors AZ 003 (aluminium, opening 20mm) 2 x AZ 029 (galvanized steel, plastic, opening 50mm)	2,0 m
			Ref. no. BW800/AZ002/2AZ025	
			Energy absorber ABM-2T HV with connectors AZ 002 (galvanized steel, opening 19mm) 2 x AZ 025 (galvanized steel, opening 83mm)	2,0 m
			Ref. no. BW800/AZ003/2AZ024	
			Energy absorber ABM-2T HV with connectors AZ 003 (aluminium, opening 20mm) 2 x AZ 024 (aluminium, opening 100mm)	2,0 m
			Ref. no. BW800	
			Energy absorber ABM-2T HV WITHOUT CONNECTORS	1,8 m

OTHER DEVICE CONFIGURATIONS ON SPECIAL REQUEST



PARAMETERS

Manufacture:	polyamide webbing
Dimensions:	200x32x45 mm
Weight:	160 g

SPECIAL FEATURES



DEVICE STANDARD CONFIGURATIONS

N NEW CONNECTOR AZ 029

1



Ref. no. **BW200/AZ011**
Energy absorber ABM with connector AZ 011
(galvanized steel, opening 18mm)



Ref. no. **BW200/AZ002**
Energy absorber ABM with connector AZ 002
(galvanized steel, opening 19mm)



Ref. no. **BW200/AZ003**
Energy absorber ABM with connector AZ 003
(aluminium, opening 20mm)

1



nr kat. **BW200/AZ029**
Energy absorber ABM with connector AZ 029
(galvanized steel, plastic, opening 50mm)

nr kat. **BW200**
Energy absorber ABM
WITHOUT CONNECTORS

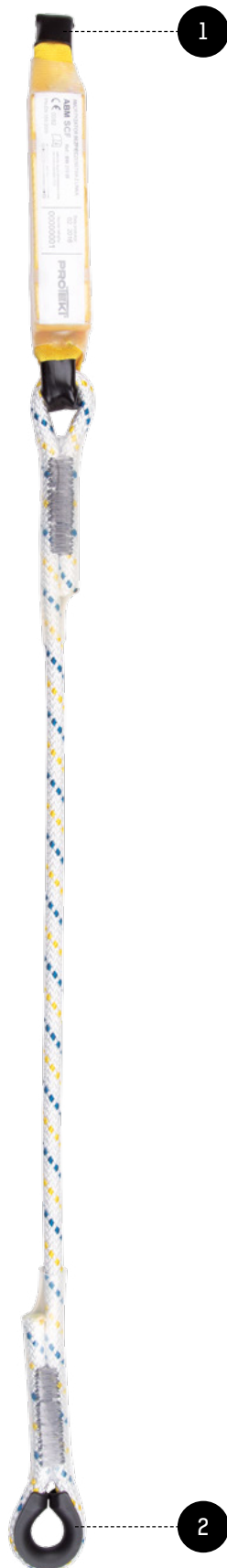
OTHER DEVICE CONFIGURATIONS ON SPECIAL REQUEST

BW 210

Energy absorber with lanyard
for works on scaffolds ABM SCF

EN 355

Ref. no.: **BW210**



PARAMETERS

LANYARD		ENERGY ABSORBER	
Material:	polyester	Manufacture:	polyamide webbing
Manufacture:	kernmantle lanyard		
Diameter:	10,5 mm		

SPECIAL FEATURES



N
NEW
CONNECTOR
AZ 029

DEVICE STANDARD CONFIGURATIONS

1	2		
		Ref. no. BW210/AZ011/AZ002	
		Energy absorber BW 210 with connectors AZ 011 (galvanized steel, opening 18mm)	0,9 m
		AZ 002 (galvanized steel, opening 19mm)	1,5 m
		Ref. no. BW210/AZ011/AZ029	
		Energy absorber BW 210 with connectors AZ 011 (galvanized steel, opening 18mm)	0,9 m
		AZ 029 (galvanized steel, plastic, opening 50mm)	1,5 m
		Ref. no. BW210/AZ003/AZ029	
		Energy absorber BW 210 with connectors AZ 003 (aluminium, opening 20mm)	0,9 m
		AZ 029 (galvanized steel, plastic, opening 50mm)	1,5 m

ON SPECIAL REQUEST OTHER LENGTHS BETWEEN 0.5 AND 1.5 M ARE AVAILABLE

BW 220

Energy absorber with twin-tail lanyard for works on scaffolds ABM SCF

EN 355

Ref. no.: **BW220**



PRODUCT PRESENTATION

protekt.co/bw220



PARAMETERS

LANYARD		ENERGY ABSORBER	
Material:	polyester	Manufacture:	polyamide webbing
Manufacture:	kernmantle lanyard		
Diameter:	10,5 mm		

SPECIAL FEATURES



PERMITTED TO WORK IN POTENTIALLY EXPLOSIVE AREAS

NEW CONNECTOR AZ 029

DEVICE STANDARD CONFIGURATIONS

1	2	3		
			Ref. no. BW220/AZ011/2AZ002	
			Energy absorber BW 220 with connectors AZ 011 (galvanized steel, opening 18mm)	0,9 m
			2 x AZ 002 (galvanized steel, opening 19mm)	1,5 m
			Ref. no. BW220/AZ011/2AZ029	
			Energy absorber BW 220 with connectors AZ 011 (galvanized steel, opening 18mm)	0,9 m
			2 x AZ 029 (galvanized steel, plastic, opening 50mm)	1,5 m
			Ref. no. BW220/AZ003/2AZ029	
			Energy absorber BW 220 with connectors AZ 003 (aluminium, opening 20mm)	0,9 m
			2 x AZ 029 (galvanized steel, plastic, opening 50mm)	1,5 m

ON SPECIAL REQUEST OTHER LENGTHS BETWEEN 0.5 AND 1.5 M ARE AVAILABLE

BW 230

Energy absorber with webbing
for works on scaffolds ABM SCF

EN 355

Ref. no.: **BW230**



PARAMETERS

WEBBING		ENERGY ABSORBER	
Material:	polyester	Manufacture:	polyamide webbing
Width:	32 mm		

SPECIAL FEATURES



N
NEW
CONNECTOR
AZ 029

DEVICE STANDARD CONFIGURATIONS

1	2		
		Ref. no. BW230/AZ011/AZ002	
		Energy absorber BW 230 with connectors AZ 011 (galvanized steel, opening 18mm)	0,9 m
		AZ 002 (galvanized steel, opening 19mm)	1,5 m
		Ref. no. BW230/AZ011/AZ029	
		Energy absorber BW 230 with connectors AZ 011 (galvanized steel, opening 18mm)	0,9 m
		AZ 029 (galvanized steel, plastic, opening 50mm)	1,5 m
		Ref. no. BW230/AZ003/AZ029	
		Energy absorber BW 230 with connectors AZ 003 (aluminium, opening 20mm)	0,9 m
		AZ 029 (galvanized steel, plastic, opening 50mm)	1,5 m

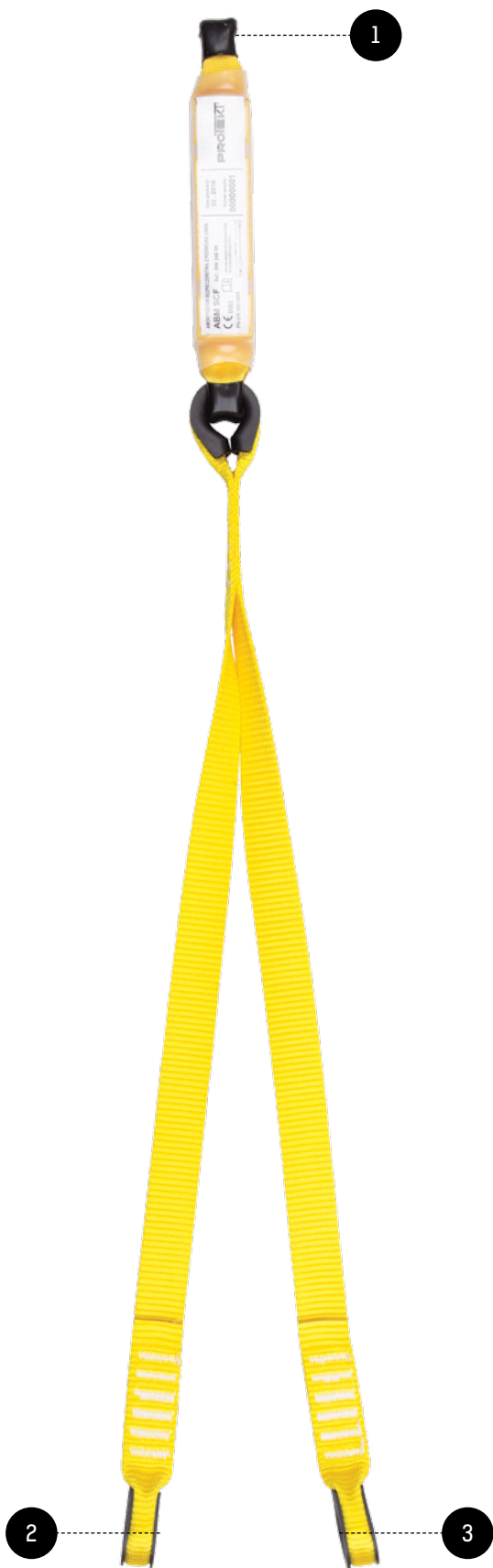
ON SPECIAL REQUEST OTHER LENGTHS BETWEEN 0.5 AND 1.5 M ARE AVAILABLE

BW 240

Energy absorber with twin-tail webbing
for works on scaffolds ABM SCF

EN 355

Ref. no.: **BW240**



PARAMETERS

WEBBING	ENERGY ABSORBER
Material: polyester	Manufacture: polyamide webbing
Width: 32 mm	

SPECIAL FEATURES



N
NEW
CONNECTOR
AZ 029

DEVICE STANDARD CONFIGURATIONS

1	2	3		
			Ref. no. BW240/AZ011/2AZ002	
			Energy absorber BW 240 with connectors AZ 011 (galvanized steel, opening 18mm) 2 x AZ 002 (galvanized steel, opening 19mm)	0,9 m 1,5 m
			Ref. no. BW240/AZ011/2AZ029	
			Energy absorber BW 240 with connectors AZ 011 (galvanized steel, opening 18mm) 2 x AZ 029 (galvanized steel, plastic, opening 50mm)	0,9 m 1,5 m
			Ref. no. BW240/AZ003/2AZ029	
			Energy absorber BW 240 with connectors AZ 003 (aluminium, opening 20mm) 2 x AZ 029 (galvanized steel, plastic, opening 50mm)	0,9 m 1,5 m

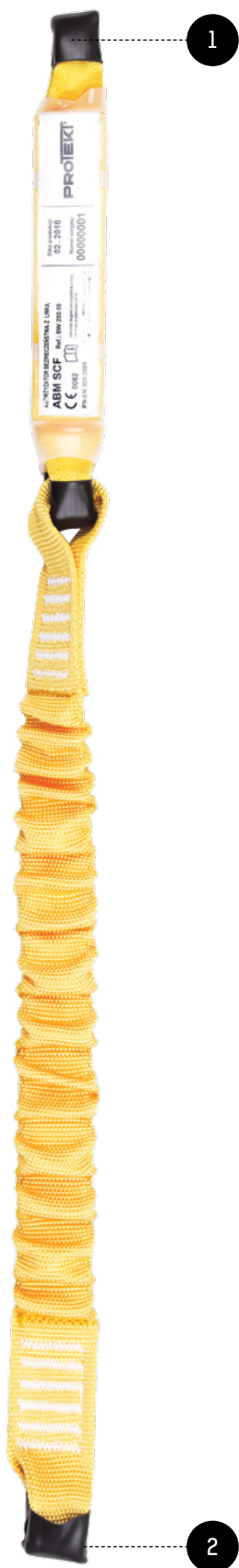
ON SPECIAL REQUEST OTHER LENGTHS BETWEEN 0.5 AND 1.5 M ARE AVAILABLE

BW 250

Energy absorber with elastic webbing
for works on scaffolds ABM SCF

EN 355

Ref. no.: **BW250**



PARAMETERS

WEBBING		ENERGY ABSORBER	
Material:	polyester	Manufacture:	polyamide webbing
Width:	40 mm		

SPECIAL FEATURES



N
NEW
CONNECTOR
AZ 029

DEVICE STANDARD CONFIGURATIONS

1	2		
		Ref. no. BW250/AZ011/AZ002	
		Energy absorber BW 250 with connectors AZ 011 (galvanized steel, opening 18mm)	0,9 m
		AZ 002 (galvanized steel, opening 19mm)	1,5 m
		Ref. no. BW250/AZ011/AZ029	
		Energy absorber BW 250 with connectors AZ 011 (galvanized steel, opening 18mm)	0,9 m
		AZ 029 (galvanized steel, plastic, opening 50mm)	1,5 m
		Ref. no. BW250/AZ003/AZ029	
		Energy absorber BW 250 with connectors AZ 003 (aluminium, opening 20mm)	0,9 m
		AZ 029 (galvanized steel, plastic, opening 50mm)	1,5 m

ON SPECIAL REQUEST OTHER LENGTHS BETWEEN 0.5 AND 1.5 M ARE AVAILABLE

BW 260

Energy absorber with elastic twin-tail webbing for works on scaffolds ABM SCF

EN 355

Ref. no.: **BW260**



PARAMETERS

WEBBING	ENERGY ABSORBER
Material: polyester	Manufacture: polyamide webbing
Width: 40 mm	

SPECIAL FEATURES



PREMITTED TO WORK IN POTENTIALLY EXPLOSIVE AREAS

N
NEW
CONNECTOR
AZ 029

DEVICE STANDARD CONFIGURATIONS

1	2	3		
			Ref. no. BW260/AZ011/2AZ002	
			Energy absorber BW 260 with connectors AZ 011 (galvanized steel, opening 18mm) 2 x AZ 002 (galvanized steel, opening 19mm)	0,9 m
				1,5 m
			Ref. no. BW260/AZ011/2AZ029	
			Energy absorber BW 260 with connectors AZ 011 (galvanized steel, opening 18mm) 2 x AZ 029 (galvanized steel, plastic, opening 50mm)	0,9 m
				1,5 m
			Ref. no. BW260/AZ003/2AZ029	
			Energy absorber BW 260 with connectors AZ 003 (aluminium, opening 20mm) 2 x AZ 029 (galvanized steel, plastic, opening 50mm)	0,9 m
				1,5 m

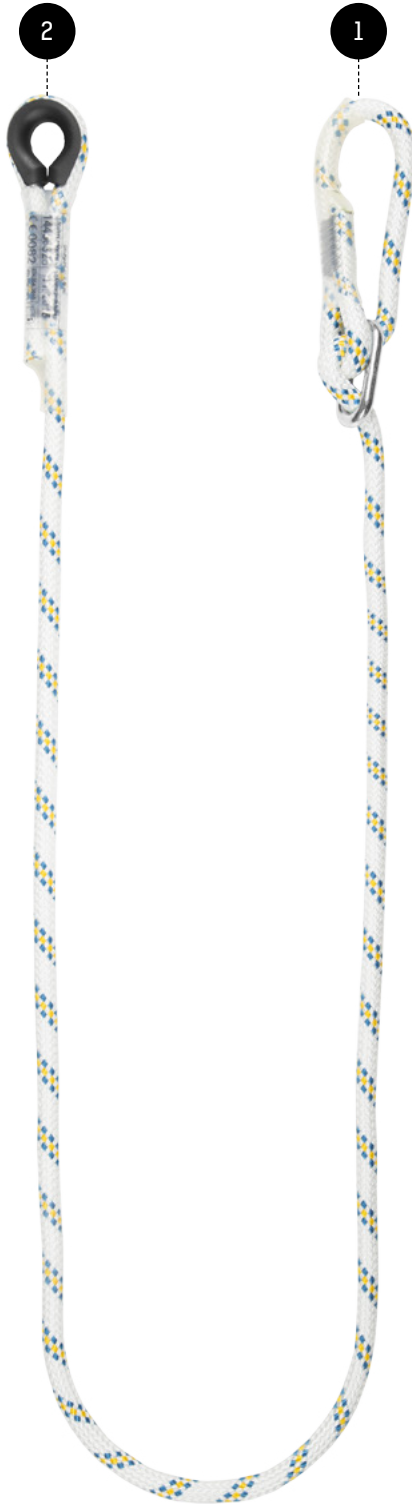
ON SPECIAL REQUEST OTHER LENGTHS BETWEEN 0.5 AND 1.5 M ARE AVAILABLE

LB 100

Adjustable safety lanyard

EN 354, EN 358

Ref. no.: LB 100



PARAMETERS

Material:	polyester
Manufacture:	kernmantle lanyard
Diameter:	12 mm

SPECIAL FEATURES



N
NEW
CONNECTOR
AZ 029

DEVICE STANDARD CONFIGURATIONS

1	2		
		Ref. no. LB100/2AZ011	1,4 m 1,6 m 1,9 m 2,0 m
Adjustable lanyard LB 100 with connectors 2 x AZ 011 (galvanized steel, opening 18mm)			
		Ref. no. LB100/2AZ002	1,4 m 1,6 m 1,9 m 2,0 m
Adjustable lanyard LB 100 with connectors 2 x AZ 002 (galvanized steel, opening 19mm)			
		Ref. no. LB100/2AZ003	1,4 m 1,6 m 1,9 m 2,0 m
Adjustable lanyard LB 100 with connectors 2 x AZ 003 (aluminium, opening 20mm)			
		Ref. no. LB100/AZ002/AZ029	1,4 m 1,6 m 1,9 m 2,0 m
Adjustable lanyard LB 100 with connectors AZ 002 (galvanized steel, opening 18mm) AZ 029 (galvanized steel, plastic, opening 50mm)			
		Ref. no. LB100/AZ003/AZ029	1,4 m 1,6 m 1,9 m 2,0 m
Adjustable lanyard LB 100 with connectors AZ 003 (aluminium, opening 20mm) AZ 029 (galvanized steel, plastic, opening 50mm)			
Ref. no. LB100			1,4 m 1,6 m 1,9 m 2,0 m
Adjustable lanyard LB 100 WITHOUT CONNECTORS			

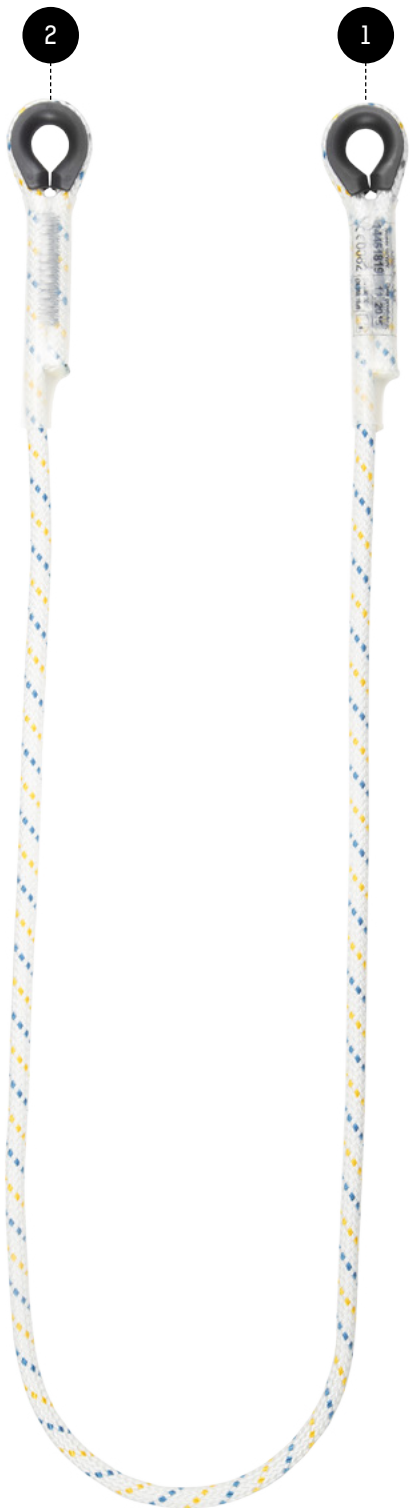
OTHER DEVICE CONFIGURATIONS ON SPECIAL REQUEST

LB 101

Lanyard

EN 354, EN 358

Ref. no.: LB 101



PARAMETERS

Material:	polyester
Manufacture:	kernmantle lanyard
Diameter:	10,5 mm

SPECIAL FEATURES



N
NEW
CONNECTOR
AZ 029

DEVICE STANDARD CONFIGURATIONS

1	2		
		Ref. no. B101/2AZ011	1,4 m
		Lanyard LB 101 with connectors 2 x AZ 011 (galvanized steel, opening 18mm)	1,6 m
			1,9 m
			2,0 m
		Ref. no. LB101/2AZ002	1,4 m
		Lanyard LB 101 with connectors 2 x AZ 002 (galvanized steel, opening 19mm)	1,6 m
			1,9 m
			2,0 m
		Ref. no. LB101/2AZ003	1,4 m
		Lanyard LB 101 with connectors 2 x AZ 003 (aluminium, opening 20mm)	1,6 m
			1,9 m
			2,0 m
		nr kat. LB101/AZ002/AZ029	1,4 m
		Lanyard LB 101 with connectors AZ 002 (galvanized steel, opening 18mm)	1,6 m
		AZ 029 (galvanized steel, plastic, opening 50mm)	1,9 m
			2,0 m
		Ref. no. LB101/AZ003/AZ029	1,4 m
		Lanyard LB 101 with connectors AZ 003 (aluminium, opening 20mm)	1,6 m
		AZ 029 (galvanized steel, plastic, opening 50mm)	1,9 m
			2,0 m
		Ref. no. LB101	1,4 m
		Lanyard LB 101 WITHOUT CONNECTORS	1,6 m
			1,9 m
			2,0 m

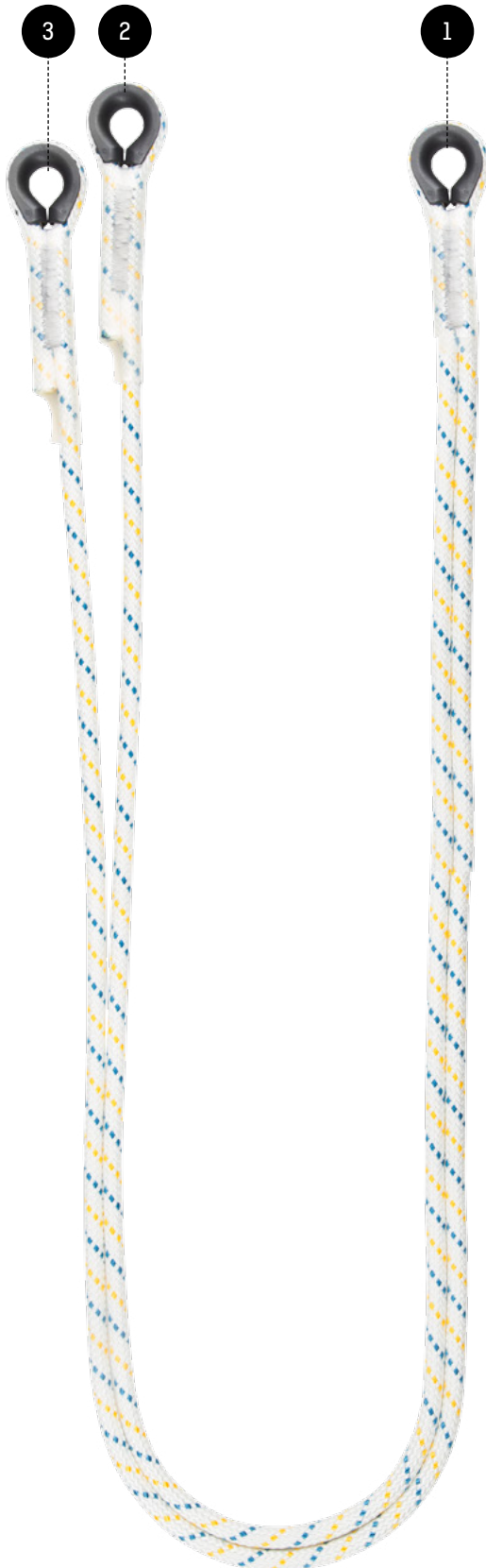
OTHER DEVICE CONFIGURATIONS ON SPECIAL REQUEST

LB 102

Twin-tail lanyard

EN 354

Ref. no.: LB 102



PARAMETERS

Material:	polyester
Manufacture:	kernmantle lanyard
Diameter:	10,5 mm

SPECIAL FEATURES



N
NEW
CONNECTOR
AZ 029

DEVICE STANDARD CONFIGURATIONS

	1	2	3		
				Ref. no. LB102/3AZ011	1,4+1,4 m
				Twin-tail lanyard LB 102 with connectors 3 x AZ 011 (galvanized steel, opening 18mm)	1,6+1,6 m
					1,9+1,9 m
					2,0+2,0 m
				Ref. no. LB102/AZ002/2AZ029	1,4+1,4 m
				Twin-tail lanyard LB 102 with connectors AZ 002 (galvanized steel, opening 19mm) 2 x AZ 029 (galvanized steel, plastic, opening 50mm)	1,6+1,6 m
					1,9+1,9 m
					2,0+2,0 m
				Ref. no. LB102/AZ003/2AZ029	1,4+1,4 m
				Twin-tail lanyard LB 102 with connectors AZ 003 (aluminium, opening 20mm) 2 x AZ 029 (galvanized steel, plastic, opening 50mm)	1,6+1,6 m
					1,9+1,9 m
					2,0+2,0 m
				Ref. no. LB102/AZ002/2AZ025	1,4+1,4 m
				Twin-tail lanyard LB 102 with connectors AZ 002 (galvanized steel, opening 19mm) 2 x AZ 025 (galvanized steel, opening 83mm)	1,6+1,6 m
					1,9+1,9 m
					2,0+2,0 m
				Ref. no. LB102/AZ003/2AZ024	1,4+1,4 m
				Twin-tail lanyard LB 102 with connectors AZ 003 (aluminium, opening 20mm) 2 x AZ 024 (aluminium, opening 100mm)	1,6+1,6 m
					1,9+1,9 m
					2,0+2,0 m
				Ref. no. LB102	1,4+1,4 m
				Twin-tail lanyard LB 102 WITHOUT CONNECTORS	1,6+1,6 m
					1,9+1,9 m
					2,0+2,0 m

OTHER DEVICE CONFIGURATIONS ON SPECIAL REQUEST

LB 100 HV

Adjustable lanyard HV

EN 354, EN 358

Ref. no.: LB 100 HV



PARAMETERS

Material:	polyester
Manufacture:	kernmantle lanyard
Diameter:	12 mm

SPECIAL FEATURES



COLOUR VERSIONS

	HV YELLOW/GREEN
	HV ORANGE

DEVICE STANDARD CONFIGURATIONS

NEW CONNECTOR AZ 029

1	2		1	2	
		Ref. no. LB100HV/2AZ011 Adjustable lanyard LB 100 HV with connectors 2 x AZ 011 (galvanized steel, opening 18mm)			Ref. no. LB100HV/AZ002/AZ029 Adjustable lanyard LB 100 HV with connectors AZ 002 (galvanized steel, opening 19mm) AZ 029 (galvanized steel, plastic, opening 50mm)
		1,4 m			1,4 m
		1,6 m			1,6 m
		1,9 m			1,9 m
		2,0 m			2,0 m
		Ref. no. LB100HV/2AZ002 Adjustable lanyard LB 100 HV with connectors 2 x AZ 002 (galvanized steel, opening 19mm)			Ref. no. LB100HV/AZ003/AZ029 Adjustable lanyard LB 100 HV with connectors AZ 003 (aluminium, opening 20mm) AZ 029 (galvanized steel, plastic, opening 50mm)
		1,4 m			1,4 m
		1,6 m			1,6 m
		1,9 m			1,9 m
		2,0 m			2,0 m
		Ref. no. LB100HV/2AZ003 Adjustable lanyard LB 100 HV with connectors 2 x AZ 003 (aluminium, opening 20mm)			Ref. no. LB100HV Adjustable lanyard LB 100 HV WITHOUT CONNECTORS
		1,4 m			1,4 m
		1,6 m			1,6 m
		1,9 m			1,9 m
		2,0 m			2,0 m

OTHER DEVICE CONFIGURATIONS ON SPECIAL REQUEST

LB 101 HV

Lanyard HV

EN 354, EN 358

Ref. no.: LB 101 HV



PARAMETERS

Material:	polyester
Manufacture:	kernmantle lanyard
Diameter:	12 mm

SPECIAL FEATURES



COLOUR VERSIONS

	HV YELLOW/GREEN
	HV ORANGE

DEVICE STANDARD CONFIGURATIONS

NEW CONNECTOR AZ 029

1	2		1	2	
		Ref. no. LB101HV/2AZ011 Lanyard LB 101 HV with connectors 2 x AZ 011 (galvanized steel, opening 18mm)	 	Ref. no. LB101HV/AZ002/AZ029 Lanyard LB 101 HV with connectors AZ 002 (galvanized steel, opening 18mm) AZ 029 (galvanized steel, plastic, opening 50mm)	1,4 m 1,6 m 1,9 m 2,0 m
		Ref. no. LB101HV/2AZ002 Lanyard LB 101 HV with connectors 2 x AZ 002 (galvanized steel, opening 19mm)		Ref. no. LB101HV/AZ003/AZ029 Lanyard LB 101 HV with connectors AZ 003 (aluminium, opening 20mm) AZ 029 (galvanized steel, plastic, opening 50mm)	1,4 m 1,6 m 1,9 m 2,0 m
		Ref. no. LB101HV/2AZ003 Lanyard LB 101 HV with connectors 2 x AZ 003 (aluminium, opening 20mm)		Ref. no. LB101HV Lanyard LB 101 HV WITHOUT CONNECTORS	1,4 m 1,6 m 1,9 m 2,0 m

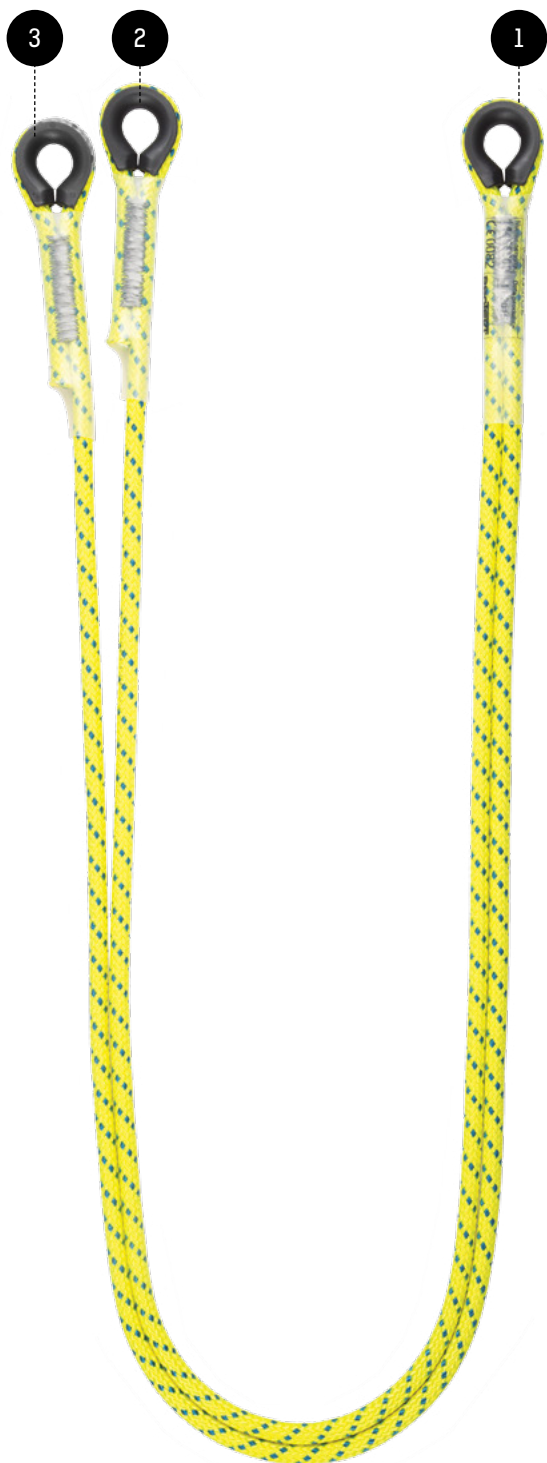
OTHER DEVICE CONFIGURATIONS ON SPECIAL REQUEST

LB 102 HV

Twin-tail lanyard HV

EN 354

Ref. no.: LB 102 HV



PARAMETERS

Material:	polyester
Manufacture:	kernmantle lanyard
Diameter:	10,5 mm

SPECIAL FEATURES



COLOUR VERSIONS

	HV YELLOW/GREEN
	HV ORANGE

N
NEW
CONNECTOR
AZ 029

DEVICE STANDARD CONFIGURATIONS

	1	2	3		
				Ref. no. LB102HV/3AZ011	1,4+1,4 m
				Twin-tail lanyard LB 102 HV with connectors 3 x AZ 011 (galvanized steel, opening 18mm)	1,6+1,6 m 1,9+1,9 m 2,0+2,0 m
				Ref. no. LB102HV/AZ002/2AZ029	1,4+1,4 m
				Twin-tail lanyard LB 102 HV with connectors AZ 002 (galvanized steel, opening 19mm) 2 x AZ 029 (galvanized steel, plastic, opening 50mm)	1,6+1,6 m 1,9+1,9 m 2,0+2,0 m
				Ref. no. LB102HV/AZ003/2AZ029	1,4+1,4 m
				Twin-tail lanyard LB 102 HV with connectors AZ 003 (aluminium, opening 20mm) 2 x AZ 029 (galvanized steel, plastic, opening 50mm)	1,6+1,6 m 1,9+1,9 m 2,0+2,0 m
				Ref. no. LB102HV/AZ002/2AZ025	1,4+1,4 m
				Twin-tail lanyard LB 102 HV with connectors AZ 002 (galvanized steel, opening 19mm) 2 x AZ 025 (galvanized steel, opening 83mm)	1,6+1,6 m 1,9+1,9 m 2,0+2,0 m
				Ref. no. LB102HV/AZ003/2AZ024	1,4+1,4 m
				Twin-tail lanyard LB 102 HV with connectors AZ 003 (aluminium, opening 20mm) 2 x AZ 024 (aluminium, opening 100mm)	1,6+1,6 m 1,9+1,9 m 2,0+2,0 m
				Ref. no. LB102HV	1,4+1,4 m
				Twin-tail lanyard LB 102 HV WITHOUT CONNECTORS	1,6+1,6 m 1,9+1,9 m 2,0+2,0 m

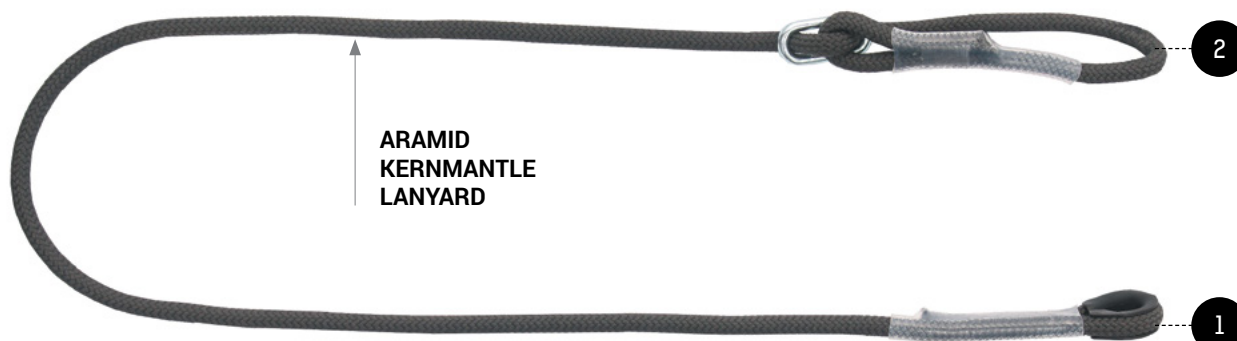
OTHER DEVICE CONFIGURATIONS ON SPECIAL REQUEST

LB 200 FLR

Heat-resistant adjustable lanyard

EN 354, EN 358

Ref. no.: LB 200 FLR



PARAMETERS

Material:	aramid
Manufacture:	aramid kernmantle lanyard
Diameter:	11,4 mm

SPECIAL FEATURES



PREMITTED TO WORK IN POTENTIALLY EXPLOSIVE AREAS



RESISTANCE TO FLAME IN ACCORDANCE WITH EN 358 P.4.1.5 STANDARD

DEVICE STANDARD CONFIGURATIONS

N NEW CONNECTOR AZ 029

1	2		
		Ref. no. LB200FLR/2AZ011	1,4 m
		Adjustable lanyard LB 200 FLR with connectors 2 x AZ 011 (galvanized steel, opening 18mm)	1,6 m
			1,9 m
			2,0 m
		Ref. no. LB200FLR/2AZ002	1,4 m
		Adjustable lanyard LB 200 FLR with connectors 2 x AZ 002 (galvanized steel, opening 19mm)	1,6 m
			1,9 m
			2,0 m
		Ref. no. LB200FLR/2AZ003	1,4 m
		Adjustable lanyard LB 200 FLR with connectors 2 x AZ 003 (aluminium, opening 20mm)	1,6 m
			1,9 m
			2,0 m
		Ref. no. LB200FLR/AZ002/AZ029	1,4 m
		Adjustable lanyard LB 200 FLR with connectors AZ 002 (galvanized steel, opening 19mm) AZ 029 (galvanized steel, plastic, opening 50mm)	1,6 m
			1,9 m
			2,0 m
		Ref. no. LB200FLR/AZ003/AZ029	1,4 m
		Adjustable lanyard LB 200 FLR with connectors AZ 003 (aluminium, opening 20mm) AZ 029 (galvanized steel, plastic, opening 50mm)	1,6 m
			1,9 m
			2,0 m
		Ref. no. LB200FLR	1,4 m
		Adjustable lanyard LB 200 FLR WITHOUT CONNECTORS	1,6 m
			1,9 m
			2,0 m

OTHER DEVICE CONFIGURATIONS ON SPECIAL REQUEST

LB 201 FLR

Heat-resistant lanyard

EN 354, EN 358

Ref. no.: LB 201 FLR



PARAMETERS

Material:	aramid
Manufacture:	aramid kernmantle lanyard
Diameter:	11,4 mm

SPECIAL FEATURES



PERMITTED TO WORK IN POTENTIALLY EXPLOSIVE AREAS



RESISTANCE TO FLAME IN ACCORDANCE WITH EN 358 P.4.1.5 STANDARD

DEVICE STANDARD CONFIGURATIONS

NEW CONNECTOR AZ 029

1

2



Ref. no. **LB201FLR/2AZ011**

Adjustable lanyard LB 201 FLR with connectors 2 x AZ 011 (galvanized steel, opening 18mm)

1,4 m

1,6 m

1,9 m

2,0 m



Ref. no. **LB201FLR/2AZ002**

Adjustable lanyard LB 201 FLR with connectors 2 x AZ 002 (galvanized steel, opening 19mm)

1,4 m

1,6 m

1,9 m

2,0 m



Ref. no. **LB201FLR/2AZ003**

Adjustable lanyard LB 201 FLR with connectors 2 x AZ 003 (aluminium, opening 20mm)

1,4 m

1,6 m

1,9 m

2,0 m



Ref. no. **LB201FLR/AZ002/AZ029**

Adjustable lanyard LB 201 FLR with connectors AZ 002 (galvanized steel, opening 19mm) AZ 029 (galvanized steel, plastic, opening 50mm)

1,4 m

1,6 m

1,9 m

2,0 m



Ref. no. **LB201FLR/AZ003/AZ029**

Adjustable lanyard LB 201 FLR with connectors AZ 003 (aluminium, opening 20mm) AZ 029 (galvanized steel, plastic, opening 50mm)

1,4 m

1,6 m

1,9 m

2,0 m

Ref. no. **LB201FLR**

Adjustable lanyard LB 201 FLR WITHOUT CONNECTORS

1,4 m

1,6 m

1,9 m

2,0 m

OTHER DEVICE CONFIGURATIONS ON SPECIAL REQUEST

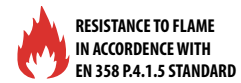


↑
**ARAMID
KERNMANTLE
LANYARD**

PARAMETERS

Material:	aramid
Manufacture:	aramid kernmantle lanyard
Diameter:	11,4 mm

SPECIAL FEATURES



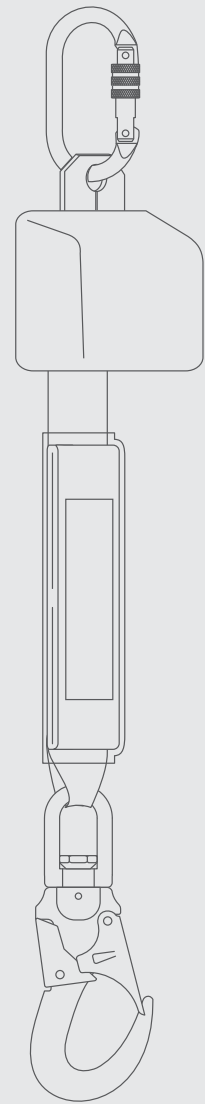
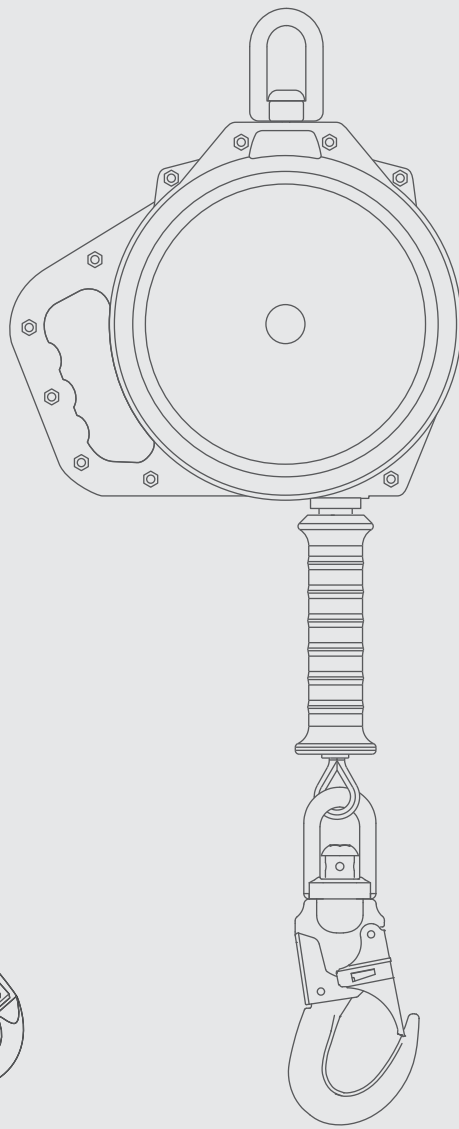
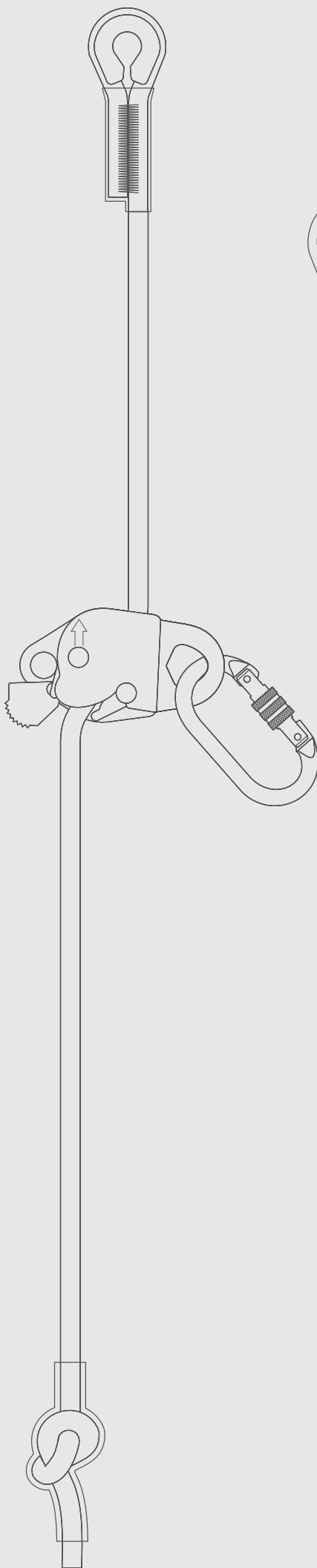
N
**NEW
CONNECTOR
AZ 029**

DEVICE STANDARD CONFIGURATIONS

1	2	3		
			Ref. no. LB202FLR/3AZ011	1,4+1,4 m
			Twin-tail lanyard LB 202 FLR with connectors 3 x AZ 011 (galvanized steel, opening 18mm)	1,6+1,6 m 1,9+1,9 m 2,0+2,0 m
			Ref. no. LB202FLR/AZ002/2AZ029	1,4+1,4 m
			Twin-tail lanyard LB 202 FLR with connectors AZ 002 (galvanized steel, opening 19mm) 2 x AZ 029 (galvanized steel, plastic, opening 50mm)	1,6+1,6 m 1,9+1,9 m 2,0+2,0 m
			Ref. no. LB202FLR/AZ003/2AZ029	1,4+1,4 m
			Twin-tail lanyard LB 202 FLR with connectors AZ 003 (aluminium, opening 20mm) 2 x AZ 029 (galvanized steel, plastic, opening 50mm)	1,6+1,6 m 1,9+1,9 m 2,0+2,0 m
			Ref. no. LB202FLR/AZ002/2AZ025	1,4+1,4 m
			Twin-tail lanyard LB 202 FLR with connectors AZ 002 (galvanized steel, opening 18mm) 2 x AZ 025 (galvanized steel, opening 83mm)	1,6+1,6 m 1,9+1,9 m 2,0+2,0 m
			Ref. no. LB202FLR/AZ003/2AZ024	1,4+1,4 m
			Twin-tail lanyard LB 202 FLR with connectors AZ 003 (aluminium, opening 20mm) 2 x AZ 024 (aluminium, opening 100mm)	1,6+1,6 m 1,9+1,9 m 2,0+2,0 m
			Ref. no. LB202FLR	1,4+1,4 m
			Twin-tail lanyard LB 202 FLR WITHOUT CONNECTORS	1,6+1,6 m 1,9+1,9 m 2,0+2,0 m

OTHER DEVICE CONFIGURATIONS ON SPECIAL REQUEST





Retractable type and guided type fall arresters

Retractable type fall arresters	4 - 2
Guards for retractable type fall arresters	4 - 17
Roof lanyard	4 - 18
Guided type fall arresters	4 - 19

ROLEX 1

Webbing retractor

EN 360

Ref. no.: AH 210



PRODUCT
PRESENTATION

protekt.co/rolex



SPECIAL FEATURES



Tested for maximum
user's weight 140 kg



For
vertical use



Protection of
1 PERSON

PARAMETERS

Working length:	max. 2250 mm
Dimensions:	96 x 98 x 320 mm
Weight:	1180 g

Retractable type fall arrester AH 210 with expandable textile webbing in a new, strong ABS cover with connectors AZ 011 and AZ 002AS. Locking mechanism inside the impact-resistant cover. The device is intended for works requiring mobility in respect to attachment point. Energy absorber is not required.

The ROLEX 1 retractor is a component of personal fall protection equipment.

REF. NO.:

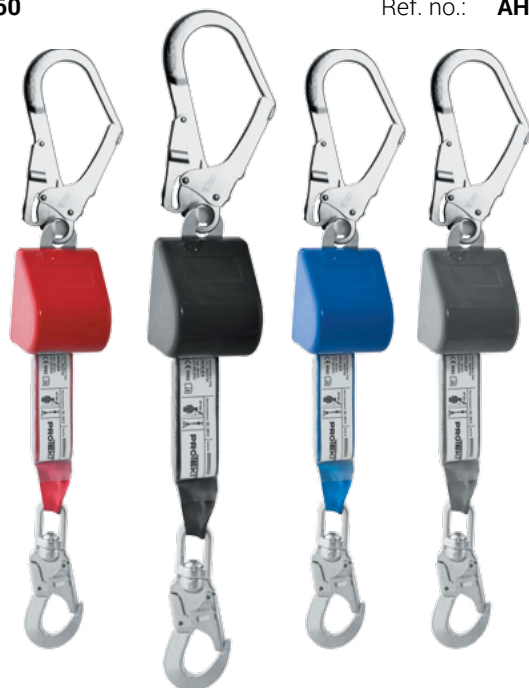
AH 210

ROLEX 2

Webbing retractor

EN 360

Ref. no.: AH 220



PRODUCT
PRESENTATION

protekt.co/rolex



PARAMETERS

Working length:	max. 2250 mm
Dimensions:	96 x 98 x 320 mm
Weight:	1500 g

Retractable type fall arrester AH 220 with expandable textile webbing in a new, strong ABS cover with connectors AZ 022 and AZ 002AS. Locking mechanism inside the impact-resistant cover. The device is intended for works requiring mobility in respect to attachment point. Energy absorber is not required. Maximum user's weight is 140 kg.

The ROLEX 2 retractor is a component of personal fall protection equipment.

SPECIAL FEATURES



Tested for maximum
user's weight 140 kg



For
vertical use



Protection of
1 PERSON

REF. NO.:

AH 220

ROLEX 3

Webbing retractor

EN 360

Ref. no.: AH 220S



PRODUCT
PRESENTATION

protekt.co/rolex



PARAMETERS

Working length:	max. 2250 mm
Dimensions:	96 x 98 x 320 mm
Weight:	1680 g

SPECIAL FEATURES



Tested for maximum
user's weight 140 kg



For
vertical use



Protection of
1 PERSON

Retractable type fall arrester AH 220S with expandable textile webbing in a new, strong ABS cover with connectors AZ 022S and AZ 002AS. Locking mechanism inside the impact-resistant cover. The device is intended for works requiring mobility in respect to attachment point. Energy absorber is not required. Maximum user's weight is 140 kg.

The ROLEX 3 retractor is a component of personal fall protection equipment.

REF. NO.:

AH220S

CR 210

Retractable type fall arrester

IMPROVED

EN 360

Ref. no.: CR 210

CE



Retractable type fall arrester CR 210 in steel cover with expandable galvanized steel 4 mm cable. The device is intended for works requiring significant mobility in respect to attachment point. Energy absorber is not required..

Retractable type fall arrester CR 210 is a component of personal fall protection equipment.

SPECIAL FEATURES



Tested for maximum user's weight 140 kg

For vertical use



On request, the device is available with the permission to work in potentially explosive areas



Protection of 1 PERSON

PARAMETERS

Cable diameter:	4 mm
Maximum user's weight:	140 kg

REF. NO.:	CABLE LENGTH	WEIGHT
CR 210 06	6 m	5,30 kg
CR 210 10	10 m	5,50 kg
CR 210 12	12 m	6,20 kg
CR 210 15	15 m	6,50 kg

CR 300

Retractable type fall arrester

EN 360

Ref. no.: **CR 300**



PRODUCT PRESENTATION



protekt.co/cr300



Retractable type fall arrester CR 300 with expandable galvanized steel 4mm cable. The device is intended for works requiring significant mobility in respect to attachment point. Energy absorber is not required. The device is tested and approved for working on flat roofs in combination with roof lanyard AZ 800.

Retractable type fall arrester CR 300 is a component of personal fall protection equipment.

SPECIAL FEATURES



On request, the device is available with the permission to work in potentially explosive areas



PARAMETERS

Cable diameter:	4 mm
Maximum user's weight:	140 kg

REF. NO.: CABLE LENGTH WEIGHT

CR 300 18	18 m	11,10 kg
CR 300 20	20 m	11,25 kg
CR 300 25	25 m	11,50 kg
CR 300 28	28 m	11,65 kg

WR 100

Retractable type fall arrester

EN 360

Ref. no.: **WR 100**



PRODUCT PRESENTATION



protekt.co/wr100



Retractable type fall arrester WR 100 with connectors AZ 011 and AZ 002ASI, fitted with expandable webbing, 17mm wide. Locking mechanism inside the composite cover. The device is intended for works requiring mobility in respect to attachment point. Energy absorber is not required.

The WR 100 arrester is a component of personal fall protection equipment.

SPECIAL FEATURES



PERMITTED TO WORK IN POTENTIALLY EXPLOSIVE AREAS



PARAMETERS

Webbing width:	17 mm
Working length:	max. 6 m
Static strength:	no less than 15 kN
Braking force:	less than 6 kN
Weight:	1,8 kg

REF. NO.:	LENGTH	WEIGHT
WR 100	6 m	1,80 kg

CR 250 V_{ERTICAL} Self-locking device for vertical operation

NEW

EN 360 VG11.062

ref no.: **CR 250V**

CR 250V self-locking device for vertical operation in a plastic casing with a pull-down steel rope and a swivel mounted in the casing. The device is designed for work requiring significant displacement in relation to the point of attachment. No need to use a shock absorber.

The CR 250V self-locking device is a component of individual fall protection equipment.



ONLY!

THE WEIGHT OF THE DEVICE WITH A 6m ROPE

3,92 kg



AVAILABLE COLOURS



X - color

SPECIAL FEATURES



TEST FOR MAXIMUM USER WEIGHT **140 kg**



VERTICAL USE OF THE DEVICE



On request, the device is available with the permission to work in potentially explosive areas.



SECURITY FOR **1 PERSON**

**RECOMMENDED HOOKS:
AZ002ASI, AZ030I, AZ060.**

PARAMETERS

Material:	composite housing, galvanized steel / stainless
Dimensions:	270 x 260 x 90 mm
Static strength:	min. 12 kN
Diameter of the cable:	4 mm (galvanized steel)



CAN STAND ON FLOOR

REF NO:	DEVICE LENGTH	WEIGHT
CR 250V 06 X	6 m	3,92 kg
CR 250V 10 X	10 m	4,20 kg
CR 250V 12 X	12 m	4,70 kg
CR 250V 15 X	15 m	4,90 kg

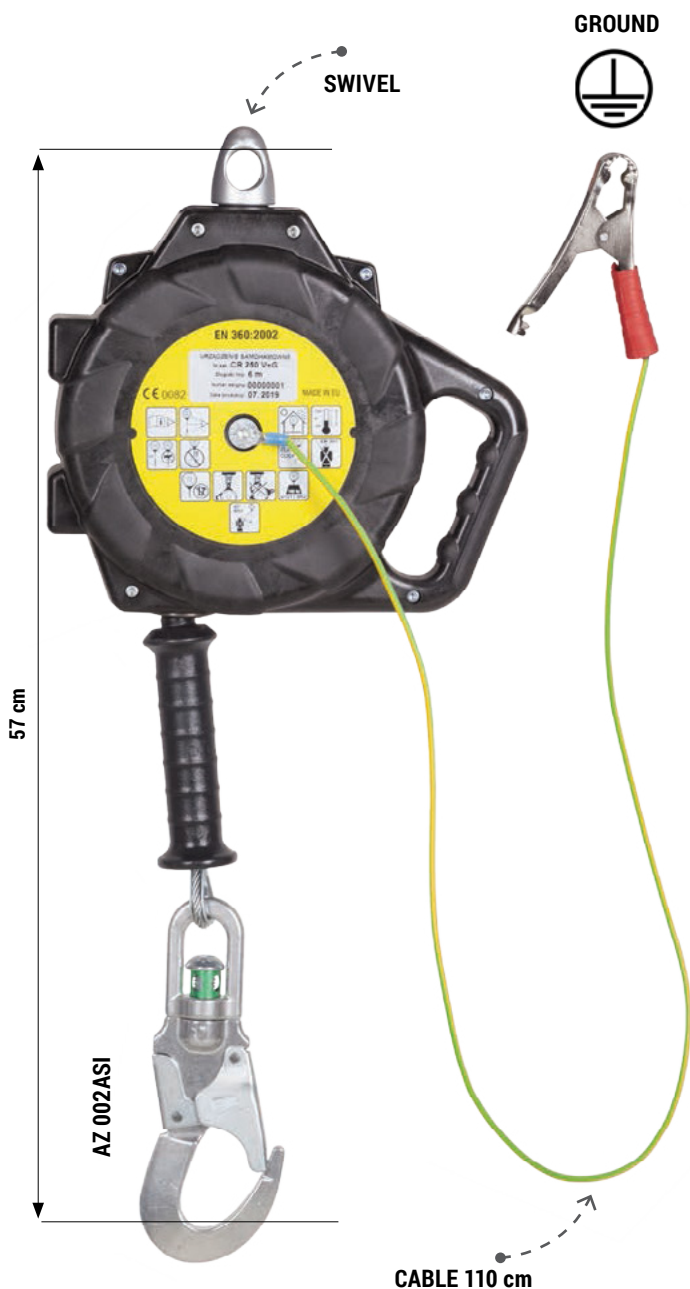
CR 250 V+G

Vertical self-locking device approved for use in potentially explosion-hazard areas

NEW

EN 360 VG11.062


ref no.: CR 250V+G



Self-locking device CR 250V + G for vertical operation with expandable safety rope and swivel mounted in a casing made of conductive plastic with grounding conductor. No need to use a shock absorber.

The CR 250V+G self-locking device is a component of individual fall protection equipment.

SPECIAL FEATURES

 TEST FOR MAXIMUM USER WEIGHT **140 kg**

 VERTICAL USE OF THE DEVICE

 SECURITY FOR 1 PERSON



PARAMETERS

Material:	composite carbon fibre casing, galvanized steel / stainless
Dimensions:	270 x 260 x 90 mm
Static strength:	min. 12 kN
Diameter of the cable:	4 mm (galvanized steel)

REF NO:	DEVICE LENGTH	WEIGHT
CR 250V+G 06	6 m	4,00 kg
CR 250V+G 10	10 m	4,20 kg
CR 250V+G 12	12 m	4,70 kg
CR 250V+G 15	15 m	4,90 kg

Version only in black cover!

RECOMMENDED HOOKS:
AZ002ASI, AZ030I, AZ060.

CR 250 HORIZONTAL + VERTICAL Self-locking device for vertical and horizontal operation

NEW

EN 360 VG11.060 VG11.062

ref no.: CR 250H V



CR 250H + V self-locking device for vertical and horizontal operation in a plastic casing with a pull-down steel rope and a swivel mounted in the casing. The device has an additional shock-absorbing system located near the snap-hook. It is intended for work requiring considerable displacement in relation to the point of attachment. No need to use a safety shock absorber. No need to use AZ 800 cable when working horizontally.

The CR 250H V self-locking device is a component of individual fall protection equipment.



SPECIAL FEATURES



AVAILABLE COLOURS



X - color

PARAMETERS

Material:	composite housing, galvanized steel / stainless
Dimensions:	270 x 260 x 90 mm
Static strength:	min. 12 kN
Diameter of the cable:	5 mm (galvanized steel)



REF NO:	DEVICE LENGTH	WEIGHT
CR 250H V 06 X	6 m	4,80 kg
CR 250H V 08 X	8 m	5,00 kg
CR 250H V 11 X	11 m	5,50 kg

CR 250 HV+G

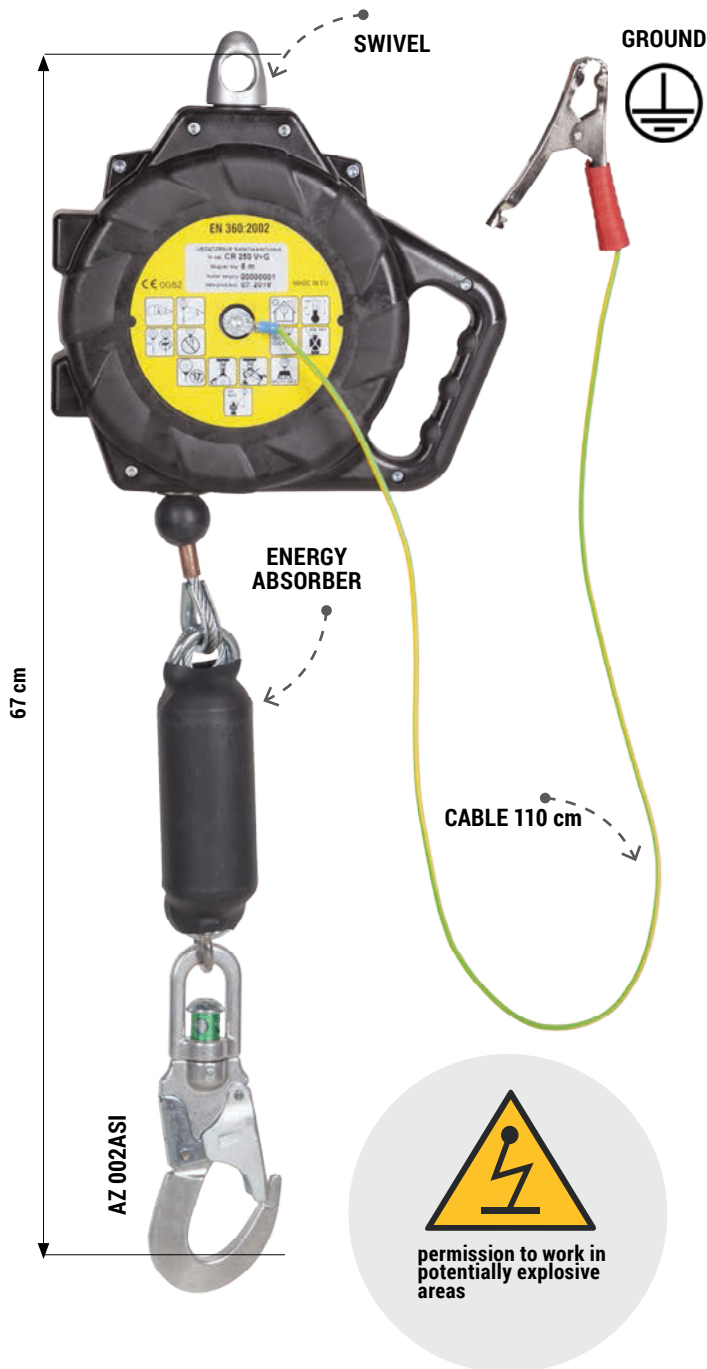
Self-locking device for vertical and horizontal operation approved for use in potentially explosion-hazard zones

NEW

EN 360 VG11.060 VG11.062

ref no.: CR 250HV+G

CE



Self-locking device CR 250HV + G for vertical and horizontal operation with a pull-out safety rope and a swivel mounted in a casing made of a conductive plastic with an earthing conductor. The device has an additional shock-absorbing system located near the snap-hook. No need to use a safety shock absorber and no need to use an AZ 800 cord attached during horizontal work.

The CR 250HV+G self-locking device is a component of individual fall protection equipment.



SPECIAL FEATURES



TEST FOR MAXIMUM USER WEIGHT **120 kg**



VERTICAL USE OF THE DEVICE



DEVICE USE OF THE HORIZONTALLY



SECURITY FOR 1 PERSON

Version only in black cover!

RECOMMENDED HOOKS: AZ002ASI, AZ030I, AZ060.

PARAMETERS

Material:	composite housing, galvanized steel / stainless
Dimensions:	270 x 260 x 90 mm
Static strength:	min. 12 kN
Diameter of the cable:	5 mm (galvanized steel)



REF NO:	DEVICE LENGTH	WEIGHT
CR 250H V+G 06	6 m	4,80 kg
CR 250H V+G 08	8 m	5,00 kg
CR 250H V+G 11	11 m	5,50 kg

CR 251V_{VERTICAL}

Self-locking device for vertical operation

NEW

EN 360 VG11.062

ref no.: CR 251V

CE



CR 251V retractable fall arrester provided with plastic housing and wire rope. Provided with AZ 029 hook with an opening larger than the standard snap hook - 50 mm (used to attach directly to the fixed structure). Device is designed for work requiring significant displacement in relation to the point of attachment. No need to use a shock absorber.


CR 251V fall arrester is a component of individual equipment protecting against fall.

AVAILABLE COLOURS



X - color

SPECIAL FEATURES

 TEST FOR MAXIMUM USER WEIGHT **140 kg**

 VERTICAL USE OF THE DEVICE

 SECURITY FOR **1 PERSON**

PARAMETERS

Material:	composite housing, galvanized steel
Dimensions:	450 x 260 x 90 mm
Static strength:	min. 12 kN
Diameter of the cable:	4 mm (galvanized steel))

REF NO:	DEVICE LENGTH	WEIGHT
CR 251V 06 X	6 m	4,39 kg
CR 251V 10 X	10 m	4,67 kg
CR 251V 12 X	12 m	5,15 kg
CR 251V 15 X	15 m	5,35 kg

CR 255 VERTICAL

Self-locking device for vertical operation

NEW

EN 360 VG11.062

ref no.: CR 255V



RAISED CORROSION RESISTANCE
internal mechanism and rope made of stainless steel

AI SI

AVAILABLE COLOURS



1 2 3 4 5

X - color

RECOMMENDED HOOKS:
AZ002ASI, AZ030I, AZ060

SPECIAL FEATURES

TEST FOR MAXIMUM USER WEIGHT **140 kg**

VERTICAL USE OF THE DEVICE

SECURITY FOR 1 PERSON

PARAMETERS

Self-braking device CR 255V with retractable rope steel in a plastic housing. Equipped with a swivel. Has a comfortable side handle. Cable made of stainless steel with diameter 5 mm. The device is designed for work requiring significant displacement in relation to the point of attachment. No need to use a shock absorber.

The CR 255V self-locking device is a component of individual fall protection equipment.

PARAMETERS

Material:	composite housing, stainless steel
Dimensions:	270 x 260 x 90 mm
Static strength:	min. 12 kN
Diameter of the cable:	5 mm (stainless steel)

REF NO:	DEVICE LENGTH	WEIGHT
CR 255V 06 X	6 m	4,62 kg
CR 255V 08 X	8 m	4,73 kg
CR 255V 11 X	11 m	5,46 kg

CR 255VG

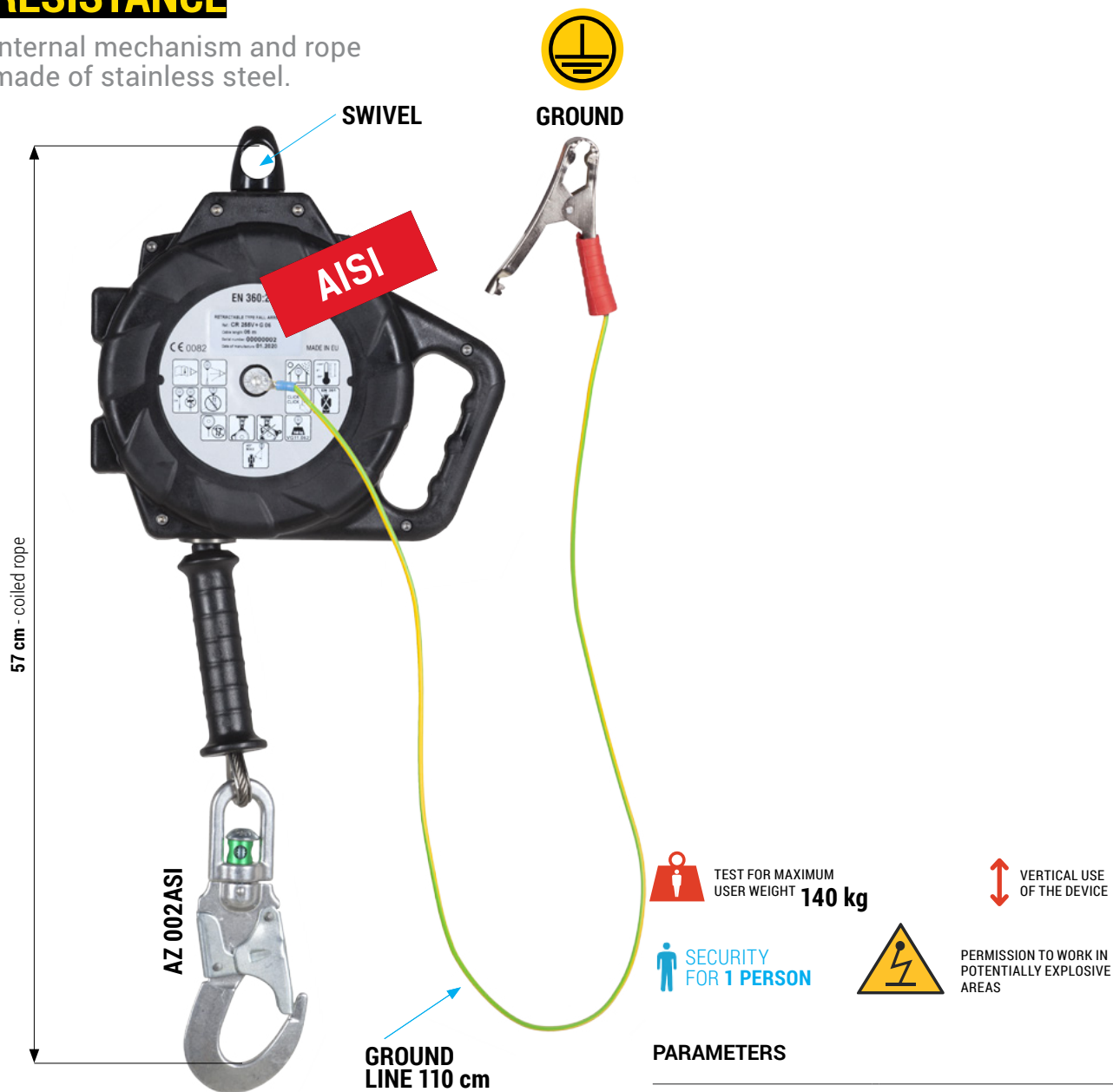
Vertical self-locking device approved for use in potentially explosion-hazard areas.

Ref. no.: CR 255VG

EN 360 VG11.062

RAISED CORROSION RESISTANCE

Internal mechanism and rope made of stainless steel.



PARAMETERS

Static strength:	min. 12 kN
Dimensions:	270 x 260 x 90 mm
Diameter of the cable:	5 mm (stainless steel)
Material:	composite housing, stainless steel

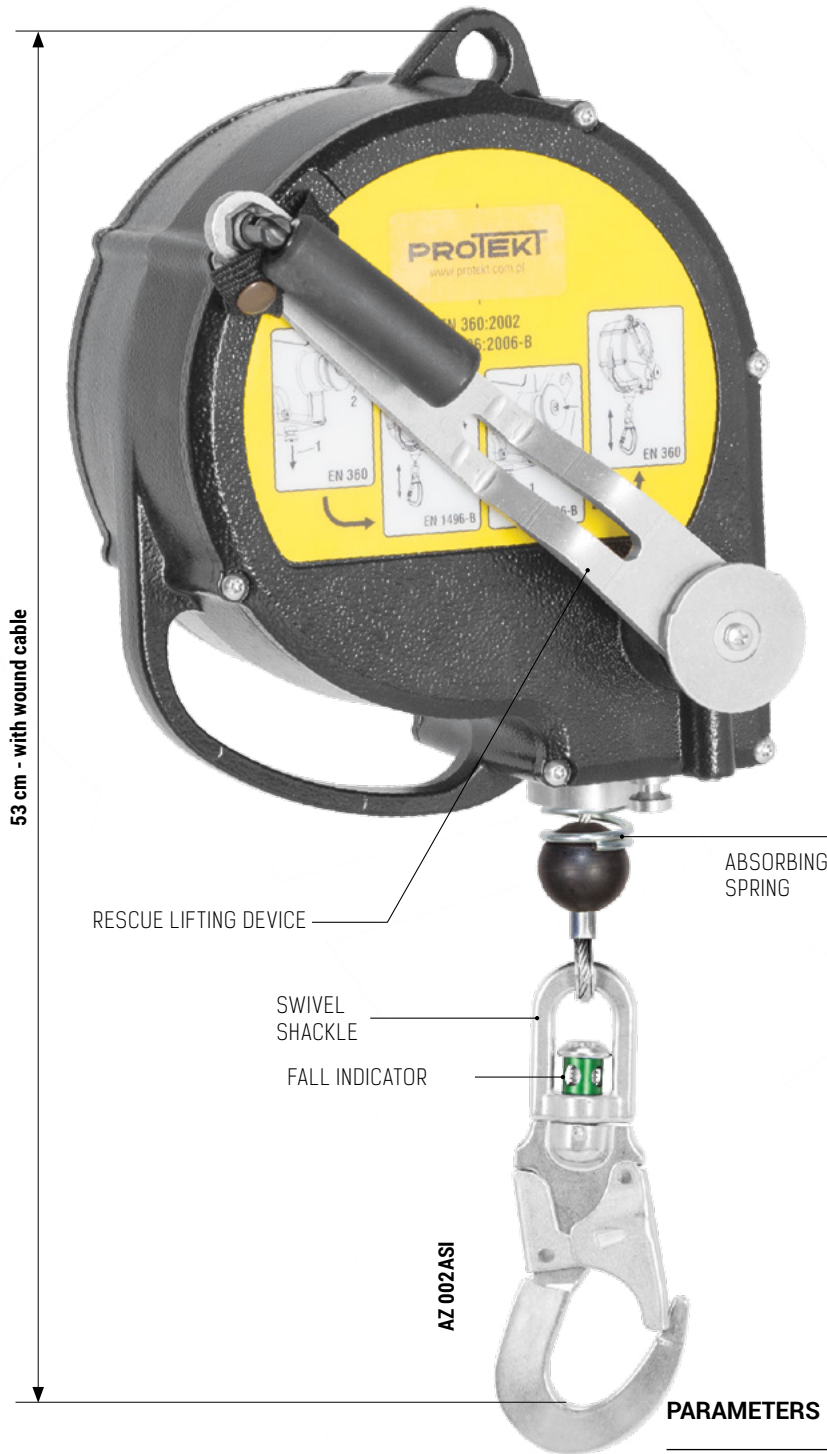
REF NO:	DEVICE LENGTH	WEIGHT
CR 255VG 06	6 m	4,72kg
CR 255VG 08	08 m	4,83 kg
CR 255VG 11	11 m	5,56 kg

CRW 200

Retractable type fall arrester

EN 360, EN 1496 CLASS B

Ref. no.: CRW 200



PRODUCT PRESENTATION

protekt.co/crw200



CRW 200 is a combination of a retractable type fall arrester and a rescue lifting device. The cover is made of an aluminium alloy. CRW 200 is fitted with a rescue lifting device with galvanized steel cable.

CRW 200 can be used independently or with selected tripods. In order to install the device on a tripod use a mounting bracket.

Retractable type fall arrester CRW 200 is a component of personal fall protection equipment.

PARAMETERS

Cable diameter:	4,7 mm	
Working load:	min. 50 kg, max. 140 kg	
Working length:	max. 15 m	
Dimensions:	300 x 230 x 175 mm	
Weight:	11 kg	
REF. NO.:	CABLE LENGTH	WEIGHT
CRW 200	15 m	11 kg

SPECIAL FEATURES



Tested for maximum user's weight 140 kg **↕ For vertical use**



Protection of 1 PERSON



On request, the device is available with the permission to work in potentially explosive areas

CRW 300

Retractable type fall arrester

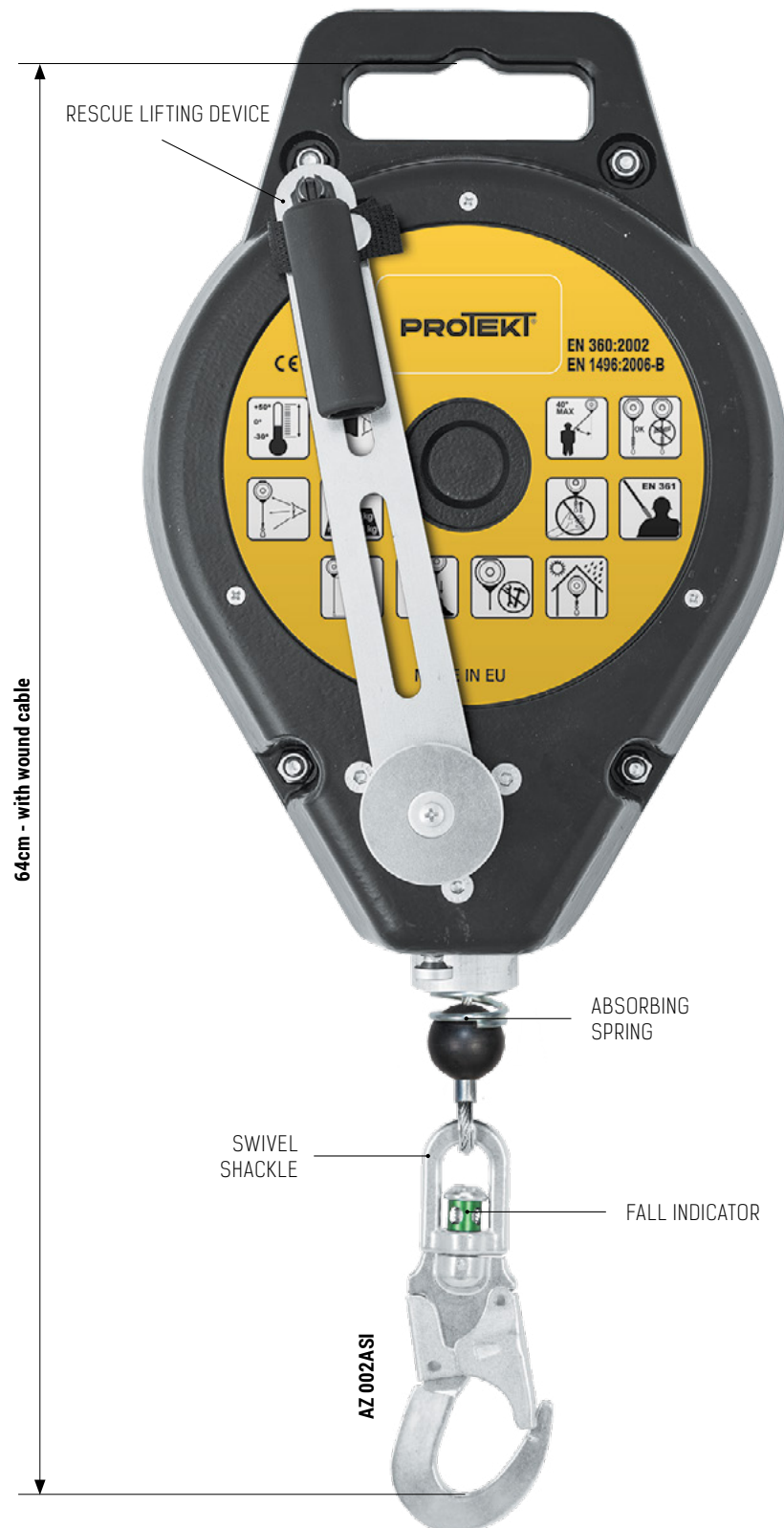
EN 360, EN 1496 CLASS B

Ref. no.: CRW 300



PRODUCT
PRESENTATION

protekt.co/crw300



CRW 300 is a combination of a retractable type fall arrester and a rescue lifting device. The cover is made of an aluminium alloy. The arrester is fitted with retractable zinc plated steel cable.

CRW 300 is fitted with rescue lifting device, and can be used independently or with selected tripods. In order to install the device on a tripod use a mounting bracket.

Retractable type fall arrester CRW 300 is a component of personal fall protection equipment

SPECIAL FEATURES

Tested for maximum user's weight 140 kg

On request, the device is available with the permission to work in potentially explosive areas

For vertical use

Protection of 1 PERSON

PARAMETERS

Cable diameter:	4,7 mm
Working load:	max. 140 kg
Working length:	max. 25 m
Dimensions:	365 x 267 x 132 mm
Weight:	15 kg

REF. NO.:	CABLE LENGTH	WEIGHT
CRW 300	25 m	15 kg
CRW 300 + connector AZ 017	25 m	15 kg

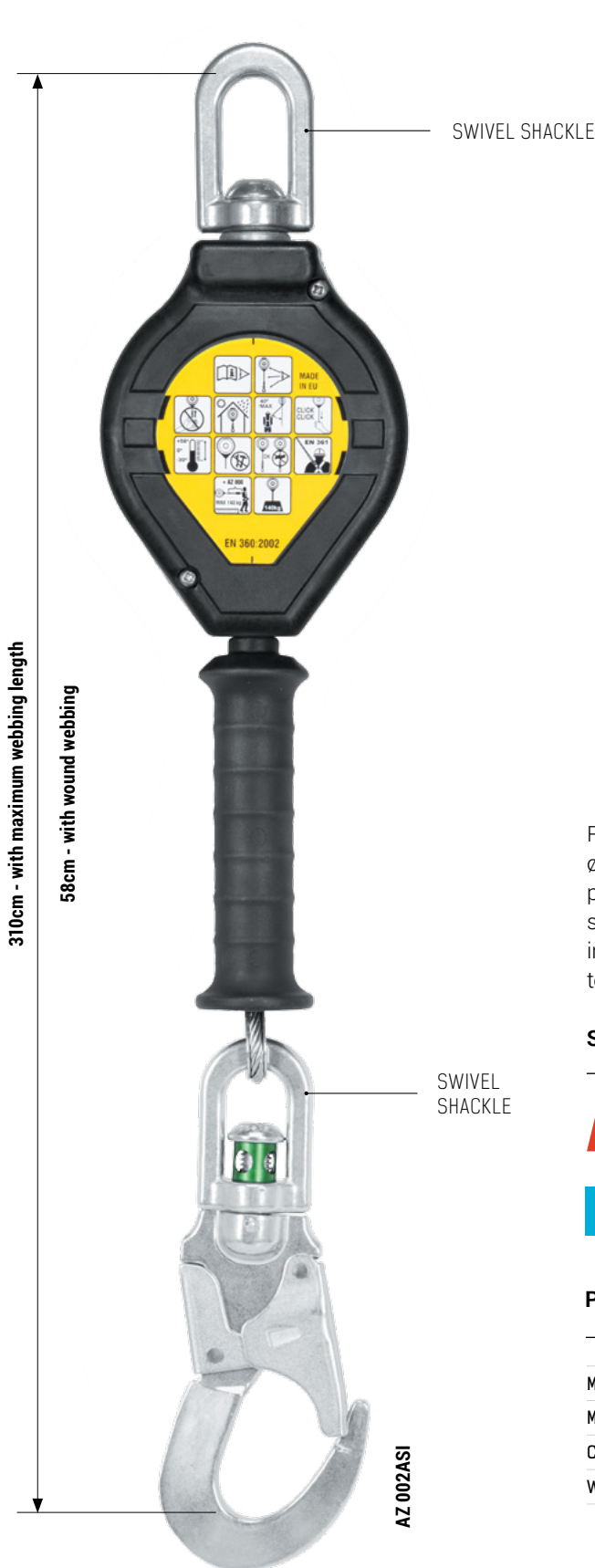
CR 030

Steel cable retractor

IMPROVED

EN 360

Ref. no.: CR 030



PRODUCT PRESENTATION

protekt.co/cr030



Retractable type fall arrester with expandable steel cable \varnothing 4 mm, fitted with a locking mechanism in a durable plastic cover. CR 030 is fitted with an integrated swivel shackle at the eye for device anchoring. The device is intended for works requiring significant mobility in respect to attachment point. Energy absorber is not required.

SPECIAL FEATURES

Tested for maximum user's weight 140 kg **For vertical use**

Protection of 1 PERSON

PARAMETERS

Max. user's weight:	140 kg
Max. working length:	3 m
Cable diameter:	4 mm
Weight:	~1750g + connector weight

REF. NO.:	LENGTH	WEIGHT
CR 030	3 m	1,75 kg

WR 020

Steel cable retractor

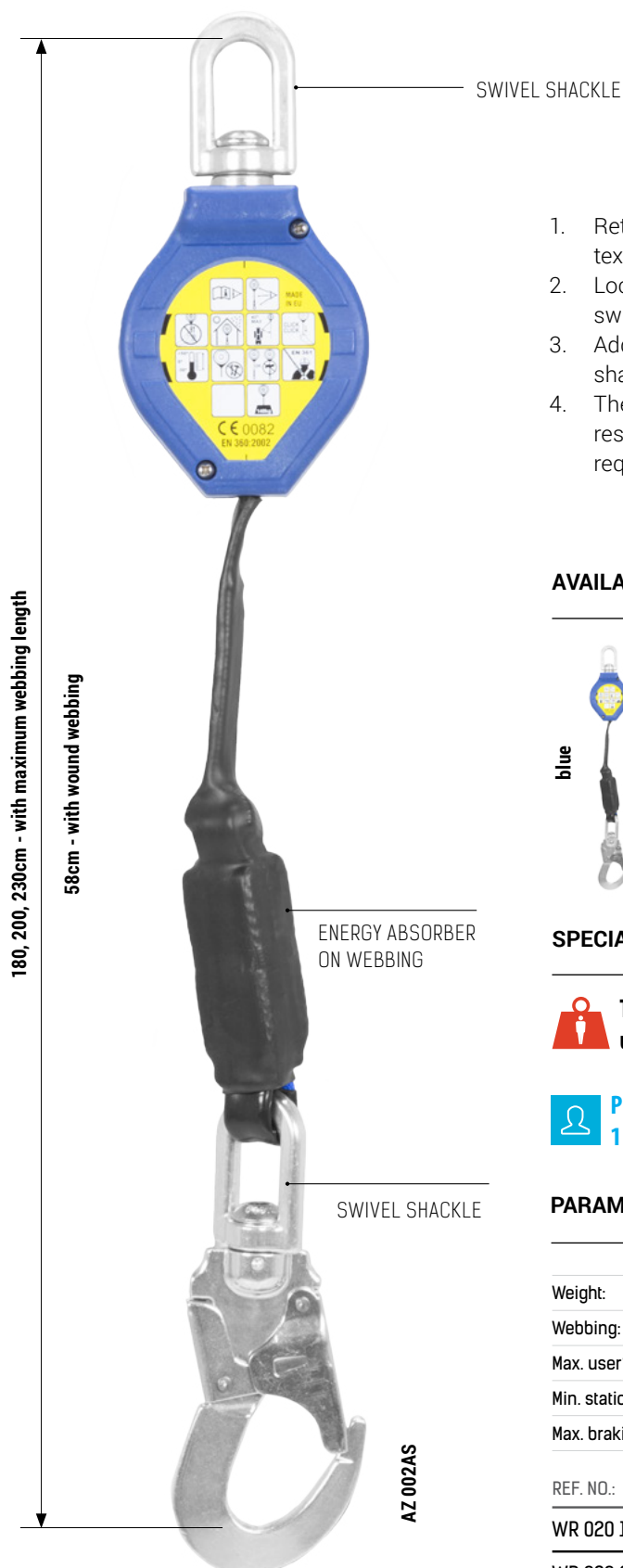
EN 360

Ref. no.: **WR 020**



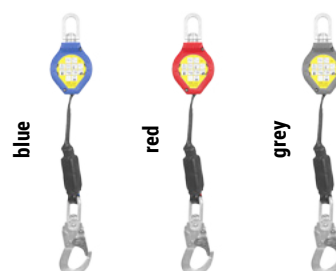
PRODUCT
PRESENTATION

protekt.co/wr020



1. Retractable type fall arrester WR 020 with expandable textile webbing in a durable plastic cover.
2. Locking mechanism in an impact-resistant cover with swivel shackle in upper part of the device.
3. Additionally, lower connector is fitted with swivel shackle and indicator.
4. The device is intended for works requiring mobility in respect to attachment point. Energy absorber is not required.

AVAILABLE COLOUR VERSIONS



SPECIAL FEATURES



Tested for maximum
user's weight 140 kg



For
vertical use



Protection of
1 PERSON

PARAMETERS

Weight:	~ 850g + connector weight
Webbing:	17,5 x 2 mm
Max. user's weight:	140 kg
Min. static strength:	15kN
Max. braking force:	6 kN

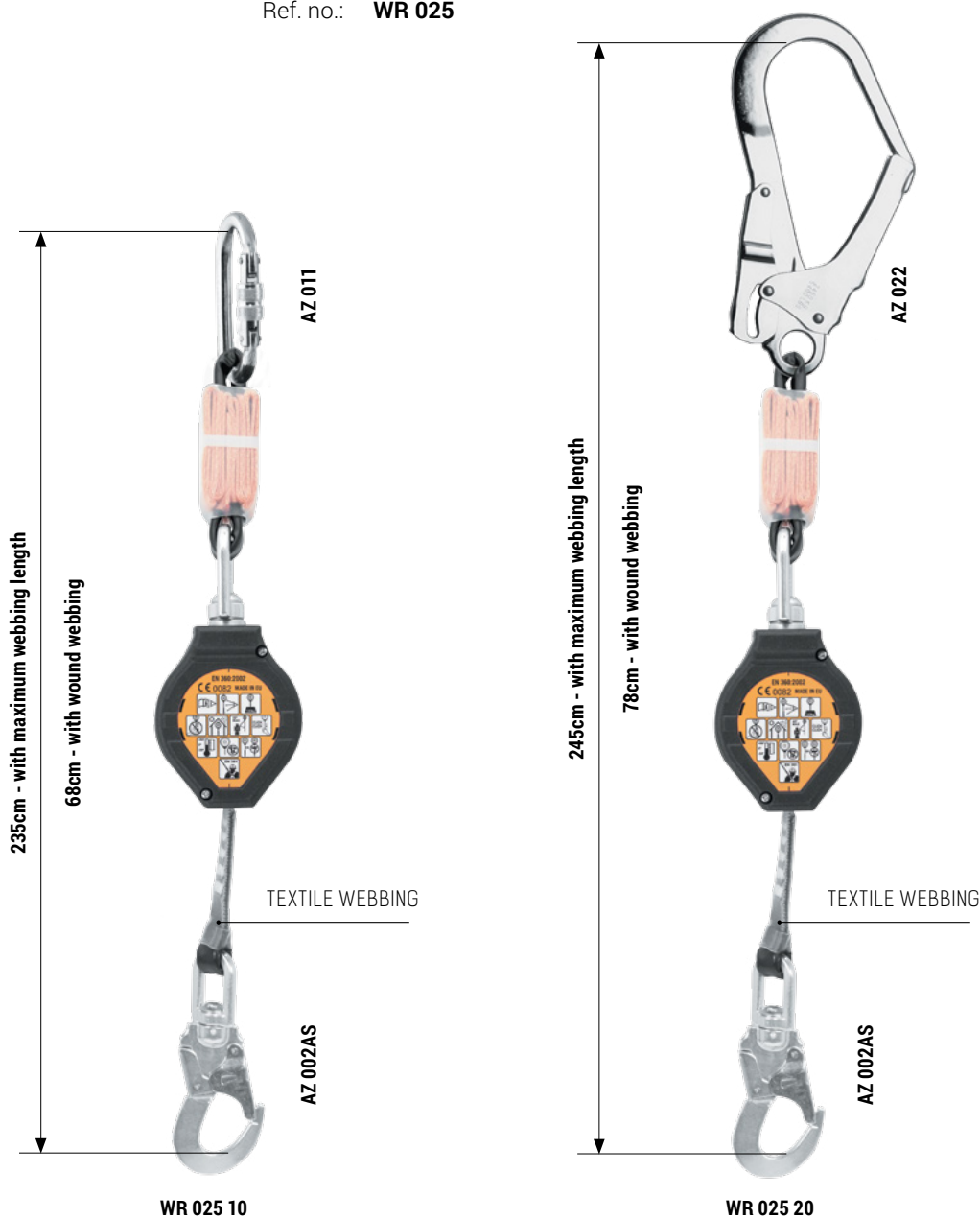
REF. NO.:	LENGTH
WR 020 18	max. 1,80 m
WR 020 20	max. 2,00 m
WR 020 23	max. 2,30 m

WR 025

Retractable type fall arrester

EN 360

Ref. no.: WR 025



PARAMETERS

Webbing width:	17,5 mm
Max. user's weight:	140 kg
Min. static strength:	15 kN
Max. braking force::	6 kN
Weight:	~ 850g + connector weight

SPECIAL FEATURES



On request, the device is available with the permission to work in potentially explosive areas

↕ For vertical use



Tested for maximum user's weight 140 kg

↔ For horizontal use with AZ 800



Protection of 1 PERSON

Retractable type fall arrester WR 025 with expandable textile webbing in a durable plastic cover. Locking mechanism in a durable cover with swivel shackle in upper part of the device. Additionally, lower connector is fitted with swivel shackle. The device is intended for works requiring mobility in respect to attachment point. Energy absorber is not required. The device is tested and approved for working on flat roofs in combination with roof lanyard AZ 800.

REF. NO.:	LENGTH
WR 025 10	2,45 m
WR 025 20	2,55 m

CR 251V_{VERTICAL}

Self-locking device for vertical operation

NEW

EN 360 VG11.062

ref no.: CR 251V

CE



CR 251V retractable fall arrester provided with plastic housing and wire rope. Provided with AZ 029 hook with an opening larger than the standard snap hook - 50 mm (used to attach directly to the fixed structure). Device is designed for work requiring significant displacement in relation to the point of attachment. No need to use a shock absorber.

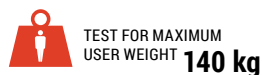
CR 251V fall arrester is a component of individual equipment protecting against fall.

AVAILABLE COLOURS



X - color

SPECIAL FEATURES



TEST FOR MAXIMUM USER WEIGHT **140 kg**



VERTICAL USE OF THE DEVICE



SECURITY FOR 1 PERSON

PARAMETERS

Material:	composite housing, galvanized steel
Dimensions:	450 x 260 x 90 mm
Static strength:	min. 12 kN
Diameter of the cable:	4 mm (galvanized steel))

REF NO:	DEVICE LENGTH	WEIGHT
CR 251V 06 X	6 m	4,39 kg
CR 251V 10 X	10 m	4,67 kg
CR 251V 12 X	12 m	5,15 kg
CR 251V 15 X	15 m	5,35 kg

CR 255 VERTICAL

Self-locking device for vertical operation

NEW

EN 360 VG11.062

ref no.: CR 255V



RAISED CORROSION RESISTANCE
internal mechanism and rope made of stainless steel

AISI

AVAILABLE COLOURS



1 2 3 4 5

X - color

RECOMMENDED HOOKS:
AZ002ASI, AZ030I, AZ060

SPECIAL FEATURES

TEST FOR MAXIMUM USER WEIGHT 140 kg

VERTICAL USE OF THE DEVICE

SECURITY FOR 1 PERSON

PARAMETERS

Self-braking device CR 255V with retractable rope steel in a plastic housing. Equipped with a swivel. Has a comfortable side handle. Cable made of stainless steel with diameter 5 mm. The device is designed for work requiring significant displacement in relation to the point of attachment. No need to use a shock absorber.

The CR 255V self-locking device is a component of individual fall protection equipment.

PARAMETERS

Material:	composite housing, stainless steel
Dimensions:	270 x 260 x 90 mm
Static strength:	min. 12 kN
Diameter of the cable:	5 mm (stainless steel)

REF NO:	DEVICE LENGTH	WEIGHT
CR 255V 06 X	6 m	4,62 kg
CR 255V 08 X	8 m	4,73 kg
CR 255V 11 X	11 m	5,46 kg

OS 010, OS 030

Guard for retractable type fall arresters

OS 010

intended for retractable type fall arresters: CR 200, CR 210, CR 220, CR240, CR241, CR245, CR 030, ROLEX 1, ROLEX 2, ROLEX 3, WR 020, W R 025, WR 100



OS 010 - CR 200,
CR 210, CR 220

Ref. no.: **OS 010, OS 030**



OS 010 - CR 240,
CR 241, CR 245



OS 010 - CR 030



OS 010 - CR 240



OS 010 - WR 020



OS 010 - WR 025



OS 010 - WR 100

AVAILABLE COLOUR VERSIONS



yellow
OS 010
OS 030



red
OS 010
OS 030



black
OS 010
OS 030



blue
OS 010
OS 030



green
OS 010
OS 030



grey
OS 010
OS 030



yellow
Hi-Vis
OS 010
OS 030



orange
Hi-Vis
OS 010
OS 030



transparent
yellow Hi-Vis
OS 010
OS 030



transparent
orange Hi-Vis
OS 010
OS 030

OS 030

intended for retractable type fall arresters: CR 300



OS 030 - CR 300

1. Protects the device against unfavourable weather conditions
2. Increases service life of retractable type fall arresters
3. Available in various colour versions

PARAMETERS

Material: Highly-transparent PVC, PVC Hi-Vis, PVC

Dimensions: OS010 - 500 x 335mm, OS030 - 500 x 390mm

Colours: black, blue, grey, green, red, yellow, yellow Hi-Vis, orange Hi-Vis

REF. NO.:

OS010 / OS030 - guard price without connector

AZ 800

Roof lanyard

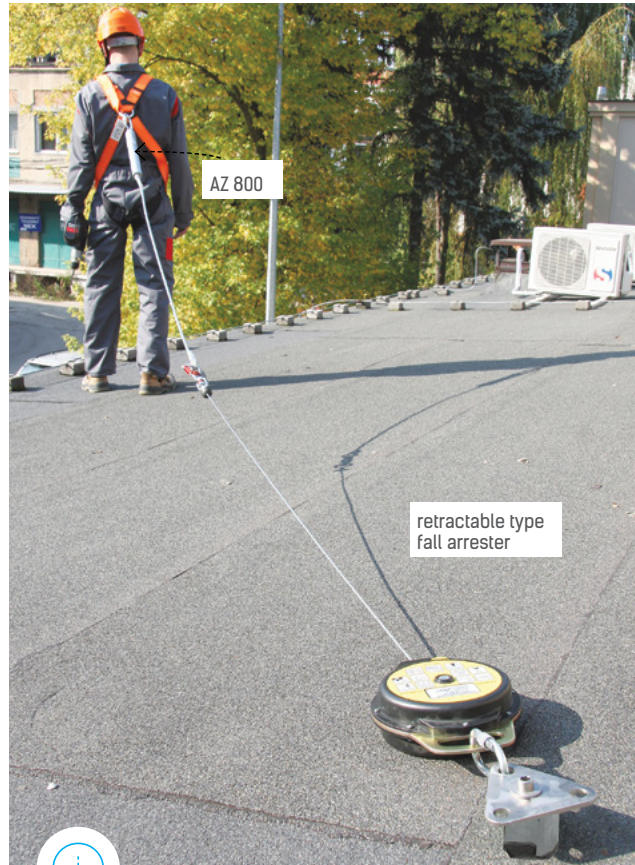
EN 354

Ref. no.: **AZ 800**



PRODUCT
PRESENTATION

protekt.co/AZ800



USING AZ 800

SPECIAL FEATURES



**PERMITTED TO WORK IN
POTENTIALLY EXPLOSIVE AREAS**



**For horizontal
and vertical use**



**Tested for maximum
user's weight 140 kg**



**Protection of
1 PERSON**

AZ 800 is a 1.8m long lanyard, intended for works on roof, suitable for cooperation with retractable type fall arresters CR 300, CR 200 and WR 025.

REF. NO.:

AZ 800

SKR-BLOCK

Guided type fall arrester

EN 353-2

Ref. no.: **AC 040**



Guided type fall arrester SKR-BLOCK intended for use with polyester work rope AC 200, 12mm dia. The device should be connected to full body harness by an oval connector, e.g. AZ 011.

The AC 040 device is a component of personal fall protection equipment.

The device should be used with PROTEKT work ropes, 12mm dia.



SPECIAL FEATURES



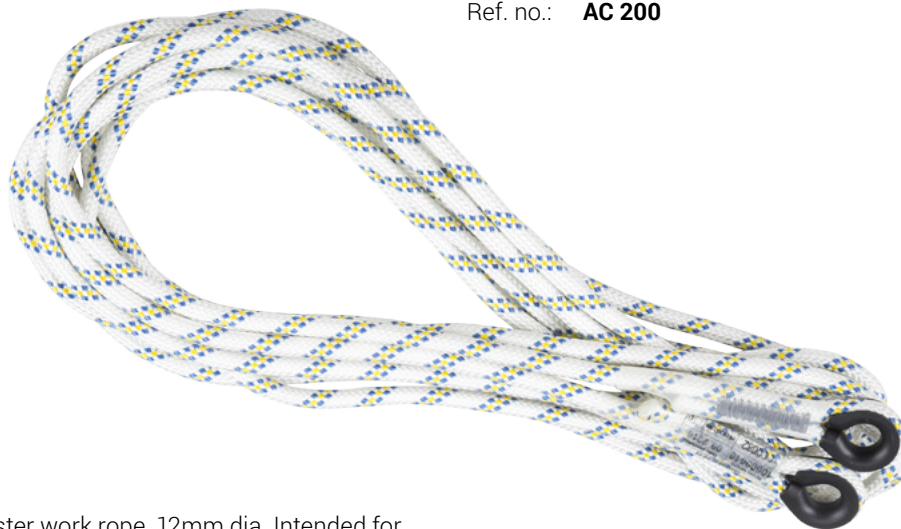
REF. NO.:	WEIGHT
AC 040 - without rope	360 g

AC 200

Work rope for SKR-BLOCK system

EN 353-2

Ref. no.: **AC 200**

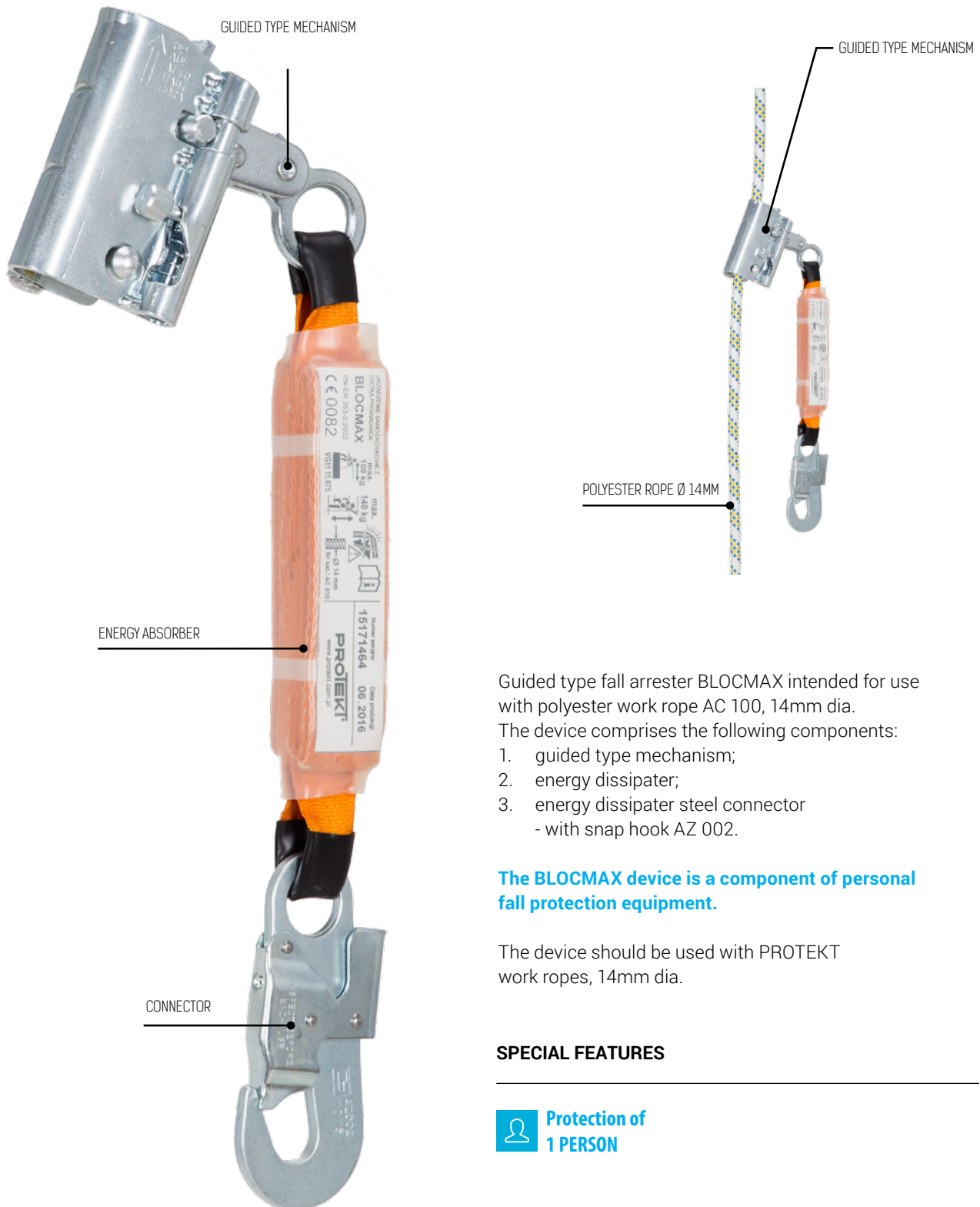


Kernmantle polyester work rope, 12mm dia. Intended for use with guided type fall arrester AC 040 SKR-BLOCK. The rope has loop with thimble at both endings.

PARAMETERS

Material:	polyester
Diameter:	12 mm

LENGTH	LENGTH
10 m	30 m
15 m	35 m
20 m	40 m
25 m	50 m



Guided type fall arrester BLOCMAX intended for use with polyester work rope AC 100, 14mm dia.

The device comprises the following components:

1. guided type mechanism;
2. energy dissipater;
3. energy dissipater steel connector - with snap hook AZ 002.

The BLOCMAX device is a component of personal fall protection equipment.

The device should be used with PROTEKT work ropes, 14mm dia.

SPECIAL FEATURES

 **Protection of 1 PERSON**

NR KAT.:

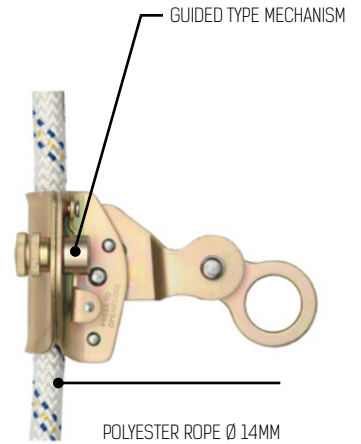
AC 010 – without rope

AC 012

Guided type fall arrester

EN 353-2

Ref. no.: **AC 012**



Guided type fall arrester AC 012 intended for use with work rope AC 100, 14mm dia. Parameters of the device enable direct connection to full body harness – with no energy dissipater required.

SPECIAL FEATURES

 **Protection of 1 PERSON**

REF. NO.:

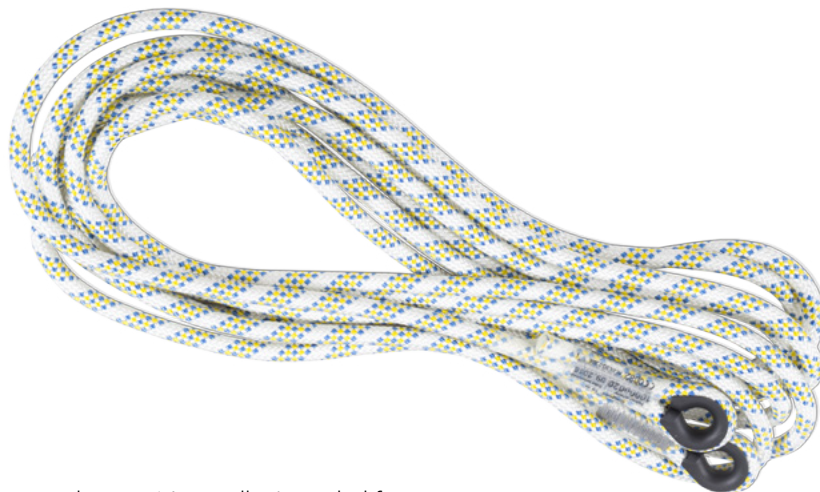
AC 012 -without rope

AC 100

Work rope for AC 010 and AC 012

EN 353-2

Ref. no.: **AC 100**



Kernmantle polyester work rope, 14 mm dia. Intended for use with guided type fall arrester AC 010 BLOCMAX and AC 012. The rope has loop with thimble at both endings.

PARAMETERS

Material: polyester

Diameter: 14 mm

LENGTH

30 m

35 m

40 m

50 m

AC 080

Guided type fall arrester

EN 353-2, EN 358, EN 12841 (as access rope)

Ref. no.: AC 080

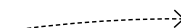


PRODUCT
PRESENTATION

protekt.co/ac080



HOW TO USE?



Guided type fall arrester AC 080 intended for use with polyester work rope AC 300, 12mm dia. The device should be connected to full body harness by an oval connector, e.g. AZ 011.

The AC 080 device is a component of personal fall protection equipment.

PARAMETERS

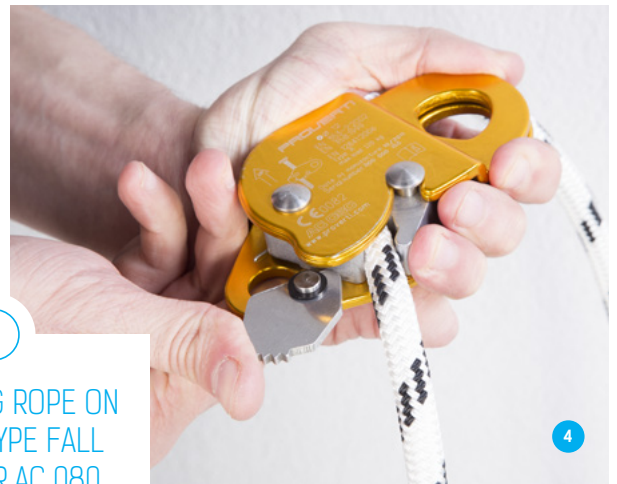
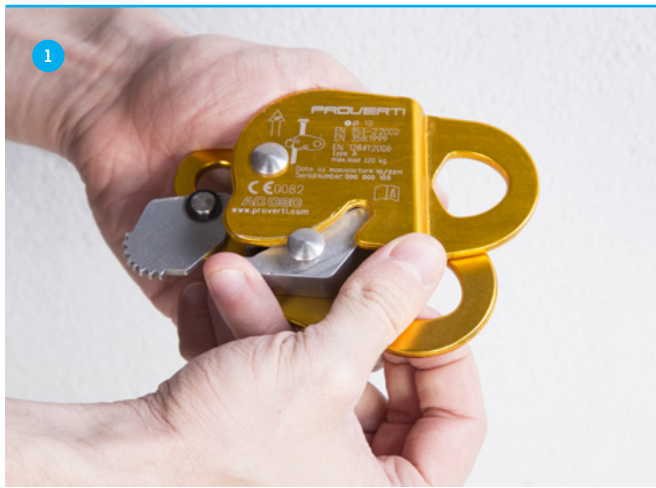
Weight:	194 g
Material:	aluminium alloy

SPECIAL FEATURES

AVAILABLE COLOUR VERSIONS

	BLUE		BLACK
	YELLOW		RED

REF. NO.:	WEIGHT
AC 080 - without rope	194 g



**INSTALLING ROPE ON
GUIDED TYPE FALL
ARRESTER AC 080**

AC 300

Work rope for AC 080 and AC 081

EN 353-2

Ref. no.: **AC 300**



PARAMETERS

Material:	polyester
Diameter:	12 mm

LENGTH

10 m

15 m

20 m

25 m

LENGTH

30 m

35 m

40 m

50 m

AC 081

Guided type fall arrester

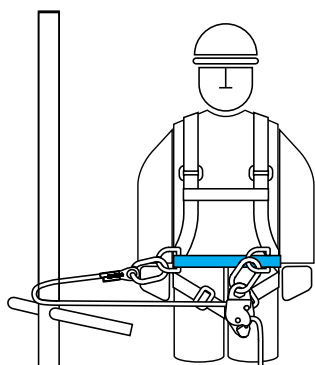
EN 353-2, EN 358, EN 12841 (as access rope)

Ref. no.: AC 081

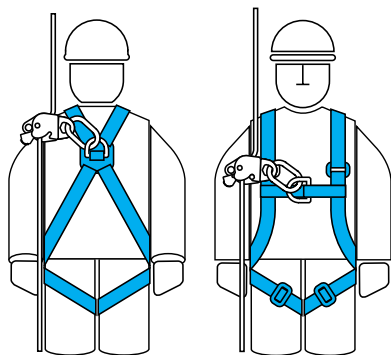




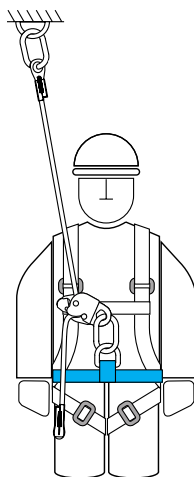
POSSIBLE USE OF AC 081



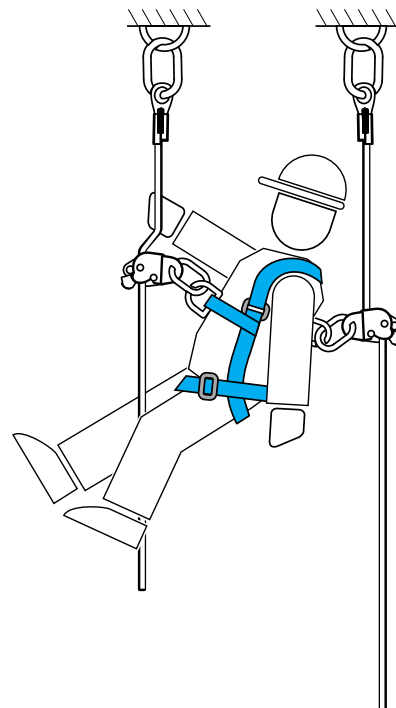
EN 358



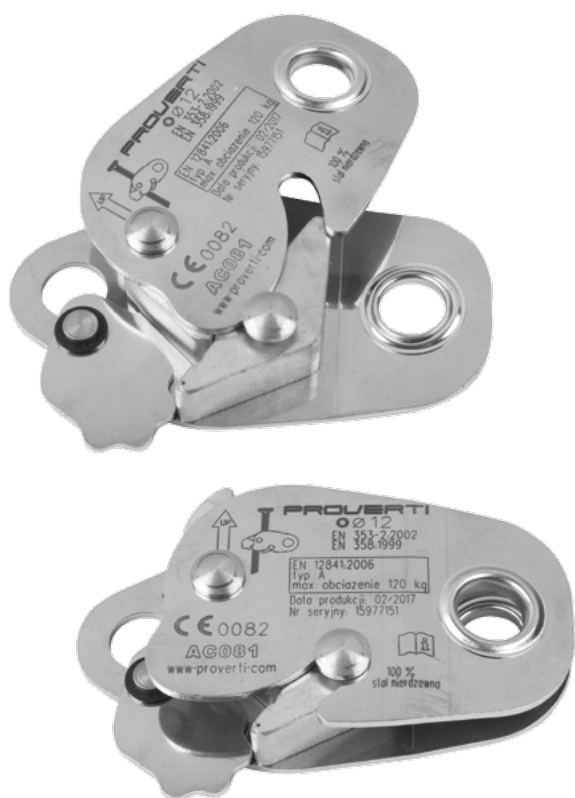
EN 353-2



EN 813



EN 12841



Guided type fall arrester AC 081 intended for use with polyester work rope AC 300, 12mm dia. The arrester should be connected to full body harness by an oval connector, e.g. AZ 011. Maximum load 120kg (EN 12841 as access rope).

The AC 081 device is a component of personal fall protection equipment.

PARAMETERS

Weight:	350 g
Material:	stainless steel

SPECIAL FEATURES

NR KAT.:	WAGA
AC081 - without rope and connector	350 g

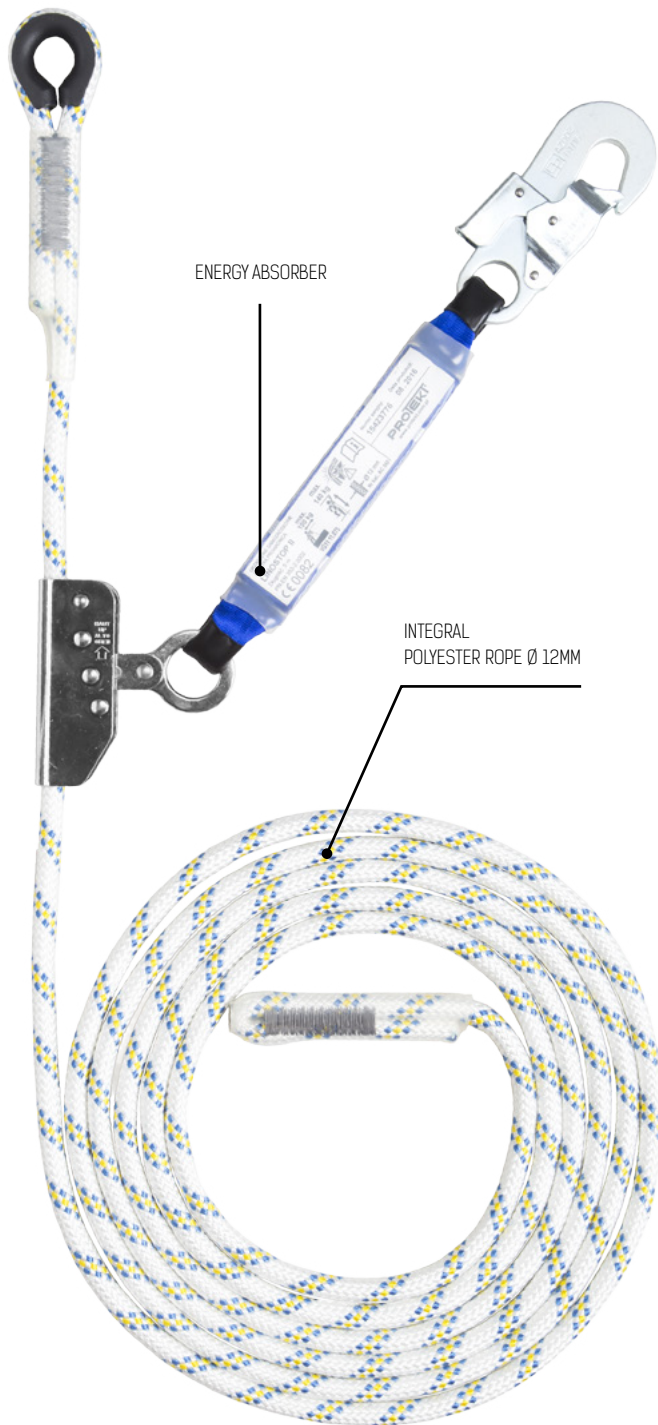
AC081 - without rope and connector

LINOSTOP II

Guided type fall arrester + rope

EN 353-2

Ref. no.: AC 060



PARAMETERS

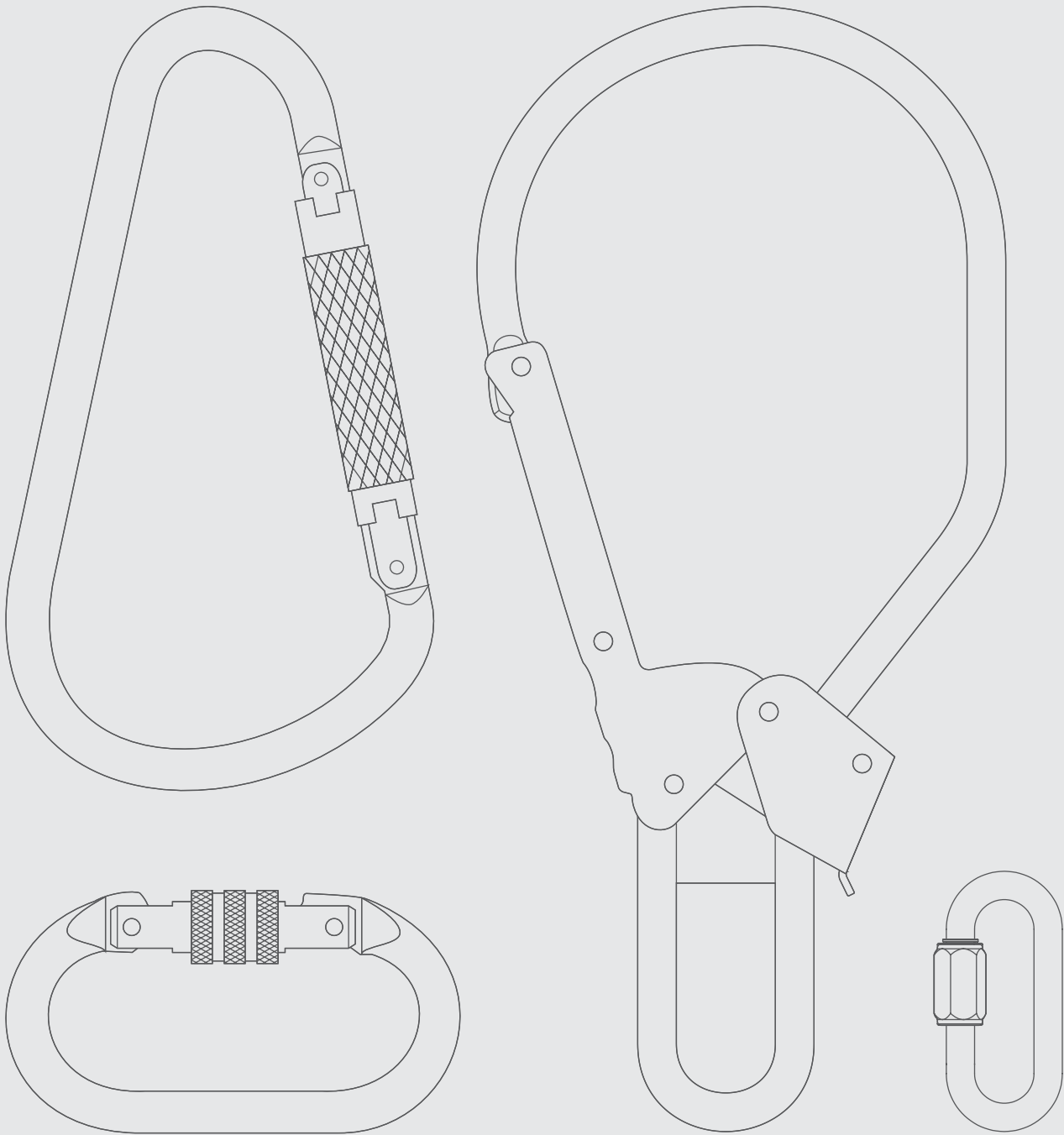
Diameter:	12 mm
Material:	polyester

LENGTH

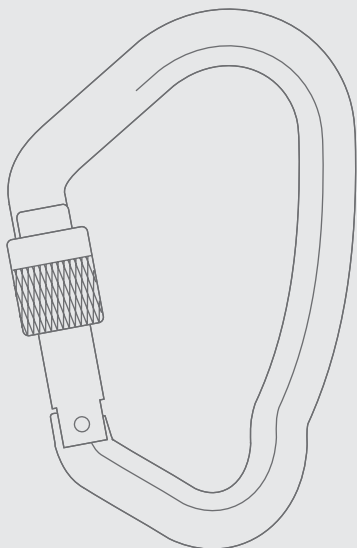
5 m
10 m
15 m
20 m
25 m
30 m
35 m
40 m
45 m
50 M

- The device comprises the following components:
1. work rope with a loop with a thimble on one end and a splice on the other;
 2. galvanized steel non-detachable rope grab mechanism fixed on the work rope;
 3. energy dissipater;
 4. connector for energy dissipater.

The LINOSTOP II device is a component of personal fall protection equipment.



Connectors



Detachable connectors

5 - 2

Integrated connectors

5 - 13

Screw link connectors

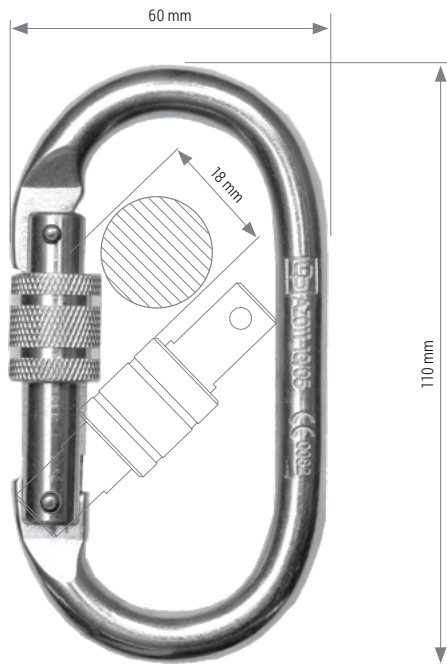
5 - 17

AZ 011

Detachable connector with locking gear

EN 362

Ref. no.: AZ011



Detachable connector with locking gear.

PARAMETERS

Dimensions:	110 x 60 mm
Opening:	18 mm
Weight:	160 g
Material:	galvanized steel
Static strength	25 kN

SPECIAL FEATURES



PERMITTED TO WORK IN
POTENTIALLY EXPLOSIVE AREAS

REF. NO.:

AZ 011

AZ 011A

Detachable connector with locking gear

EN 362

Ref. no.: AZ011A



PARAMETERS

Dimensions:	111 x 64 mm
Opening:	18 mm
Weight:	110 g
Material:	aluminium
Static strength	20 kN

SPECIAL FEATURES



PERMITTED TO WORK IN
POTENTIALLY EXPLOSIVE AREAS

REF. NO.:

AZ 011A

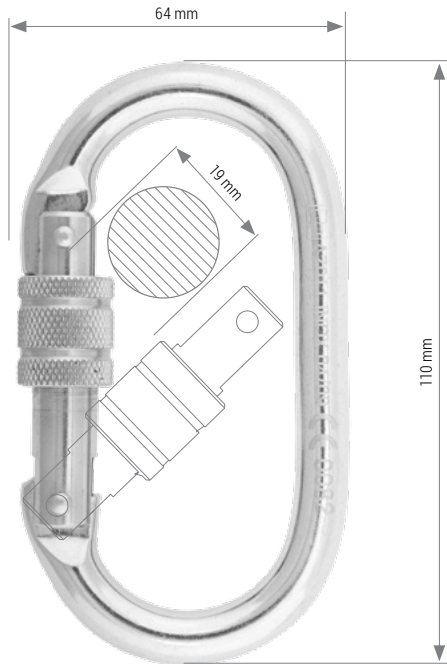
AZ 011 INOX

Detachable connector with locking gear

EN 362

Ref. no.: AZ011INOX

CE



PARAMETERS

Dimensions:	110 x 64 mm
Opening:	19 mm
Weight:	160 g
Material:	galvanized steel
Static strength	20 kN

SPECIAL FEATURES



REF. NO.:

AZ 011 INOX

AZ 011T

Detachable connector with "twist lock" gear

EN 362

Ref. no. AZ011T

CE



PARAMETERS

Dimensions:	108 x 60 mm
Opening:	18 mm
Weight:	170 g
Material:	galvanized steel
Static strength	20 kN

SPECIAL FEATURES



REF. NO.:

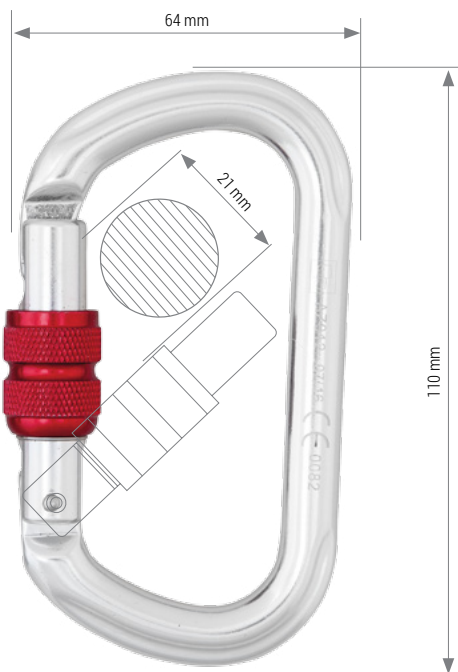
AZ 011T

AZ 012

Detachable connector with locking gear

EN 362

Ref. no.: AZ012



PARAMETERS

Dimensions:	110 x 64 mm
Opening:	21 mm
Weight:	75 g
Material:	aluminium
Static strength	25 kN

SPECIAL FEATURES



PERMITTED TO WORK IN
POTENTIALLY EXPLOSIVE AREAS

REF. NO.:

AZ 012

AZ 012T

Detachable connector with "twist lock" gear

EN 362

Ref. no.: AZ012T



PARAMETERS

Dimensions:	110 x 64 mm
Opening:	21 mm
Weight:	80 g
Material:	aluminium
Static strength	25 kN

SPECIAL FEATURES



PERMITTED TO WORK IN
POTENTIALLY EXPLOSIVE AREAS

REF. NO.:

AZ 012T

AZ 012DT

Detachable connector with "double twist lock" gear

EN 362

Ref. no.: AZ012DT



PARAMETERS

Dimensions:	110 x 64 mm
Opening:	19 mm
Weight:	85 g
Material:	aluminium
Static strength	20 kN

SPECIAL FEATURES



PERMITTED TO WORK IN
POTENTIALLY EXPLOSIVE AREAS

REF. NO.:

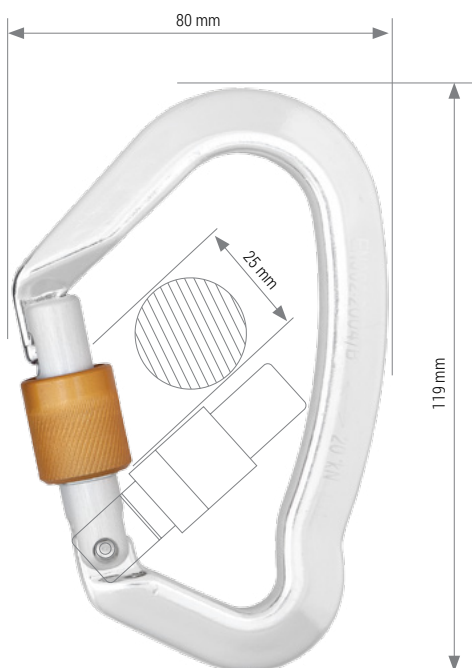
AZ 012DT

AZ 013A

Detachable connector with locking gear

EN 362

Ref. no.: AZ013A



PARAMETERS

Dimensions:	119 x 80 mm
Opening:	25 mm
Weight:	95 g
Material:	aluminium
Static strength	20 kN

SPECIAL FEATURES



PERMITTED TO WORK IN
POTENTIALLY EXPLOSIVE AREAS

COLOUR VERSIONS



silver
AZ 013A 01



black
AZ 013A 02



gold
AZ 013A 03

REF. NO.:

AZ 013A

AZ 014

Detachable connector with locking gear

EN 362

Ref. no.: AZ014



PARAMETERS

Dimensions:	113 x 73 mm
Opening:	24 mm
Weight:	95 g
Material:	aluminium
Static strength	20 kN

SPECIAL FEATURES



PERMITTED TO WORK IN
POTENTIALLY EXPLOSIVE AREAS

REF. NO.:

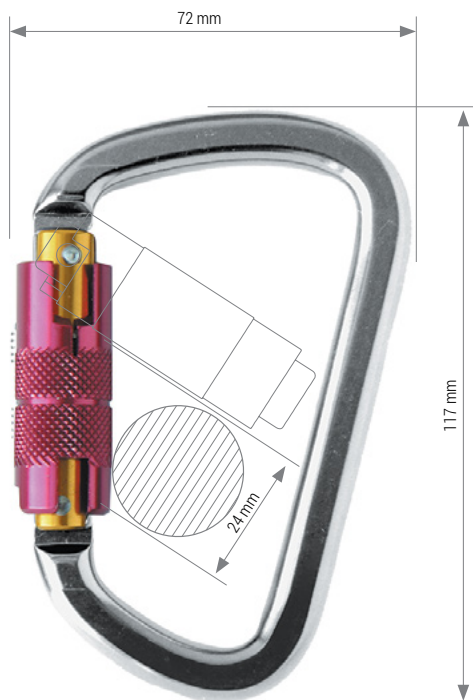
AZ 014

AZ 014T

Detachable connector with "twist lock" gear

EN 362

Ref. no.: AZ014T



PARAMETERS

Dimensions:	117 x 72 mm
Opening:	24 mm
Weight:	100 g
Material:	aluminium
Static strength	20 kN

SPECIAL FEATURES



PERMITTED TO WORK IN
POTENTIALLY EXPLOSIVE AREAS

REF. NO.:

AZ 014T

AZ 014DT

Detachable connector with "double twist lock" gear

EN 362

Ref. no.: AZ014DT



Detachable connector with "double twist lock" automatic locking.

PARAMETERS

Dimensions:	112 x 73 mm
Opening:	22 mm
Weight:	100 g
Material:	aluminium
Static strength	20 kN

SPECIAL FEATURES



PREMITTED TO WORK IN
POTENTIALLY EXPLOSIVE AREAS

REF. NO.:

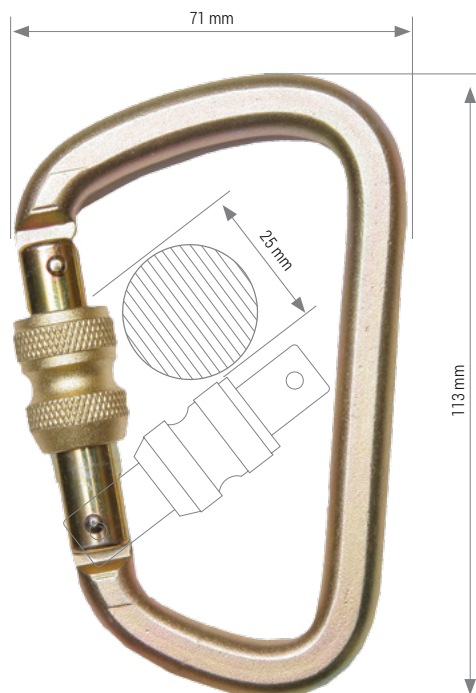
AZ 014DT

AZ 017

Detachable connector with locking gear

EN 362

Ref. no.: AZ017



PARAMETERS

Dimensions:	113 x 71 mm
Opening:	25 mm
Weight:	200 g
Material:	galvanized steel
Static strength	20 kN

SPECIAL FEATURES



PREMITTED TO WORK IN
POTENTIALLY EXPLOSIVE AREAS

REF. NO.:

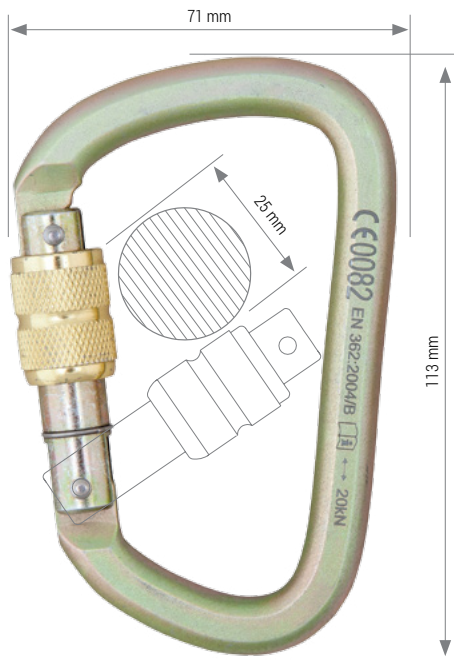
AZ 017

AZ 017T

Detachable connector with "twist lock" gear

EN 362

Ref. no.: AZ017T



PARAMETERS

Dimensions:	113 x 71 mm
Opening:	25 mm
Weight:	200 g
Material:	galvanized steel
Static strength	20 kN

SPECIAL FEATURES



PERMITTED TO WORK IN
POTENTIALLY EXPLOSIVE AREAS

REF. NO.:

AZ 017T

AZ 017DT

Detachable connector with "double twist lock" gear

EN 362

Ref. no.: AZ017DT



PARAMETERS

Dimensions:	113 x 80 mm
Opening:	24 mm
Weight:	210 g
Material:	galvanized steel
Static strength	20 kN

SPECIAL FEATURES



PERMITTED TO WORK IN
POTENTIALLY EXPLOSIVE AREAS

REF. NO.:

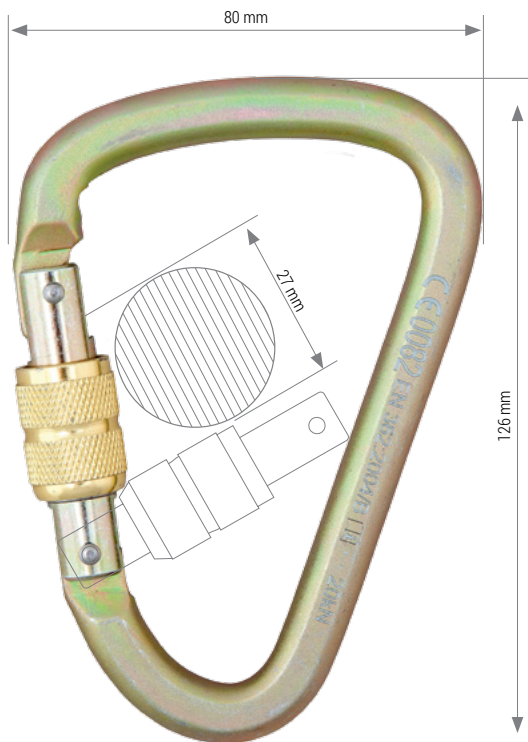
AZ 017DT

AZ 018

Detachable connector with locking gear

EN 362

Ref. no.: AZ018



PARAMETERS

Dimensions:	126 x 80 mm
Opening:	27 mm
Weight:	230 g
Material:	galvanized steel
Static strength	20 kN

SPECIAL FEATURES



PERMITTED TO WORK IN
POTENTIALLY EXPLOSIVE AREAS

REF. NO.:

AZ 018

AZ 018T

Detachable connector with "twist lock" gear

EN 362

Ref. no.: AZ018T



PARAMETERS

Dimensions:	126 x 80 mm
Opening:	27 mm
Weight:	245 g
Material:	galvanized steel
Static strength	20 kN

SPECIAL FEATURES



PERMITTED TO WORK IN
POTENTIALLY EXPLOSIVE AREAS

REF. NO.:

AZ 018T

AZ 019T

Detachable connector with "twist lock" gear

EN 362

Ref. no.: AZ019T

CE



PARAMETERS

Dimensions:	119 x 75 mm
Opening:	27 mm
Weight:	95 g
Material:	aluminium
Static strength	20 kN

SPECIAL FEATURES



PERMITTED TO WORK IN
POTENTIALLY EXPLOSIVE AREAS

REF. NO.:

AZ 019T

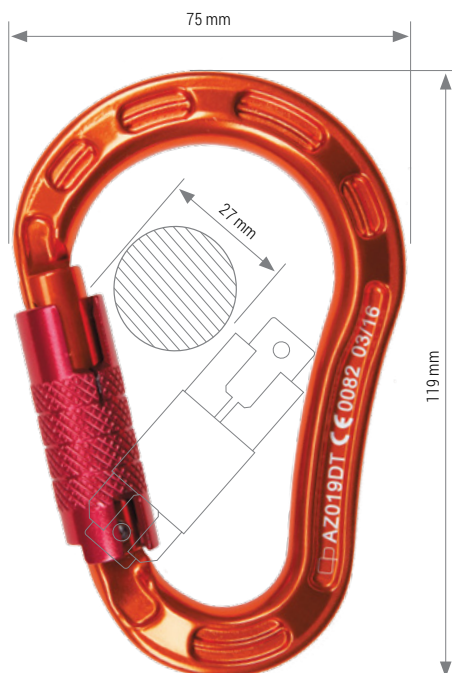
AZ 019DT

Detachable connector with "double twist lock" gear

EN 362

Ref. no.: AZ019DT

CE



PARAMETERS

Dimensions:	119 x 75 mm
Opening:	27 mm
Weight:	90 g
Material:	aluminium
Static strength	25 kN

SPECIAL FEATURES



PERMITTED TO WORK IN
POTENTIALLY EXPLOSIVE AREAS

REF. NO.:

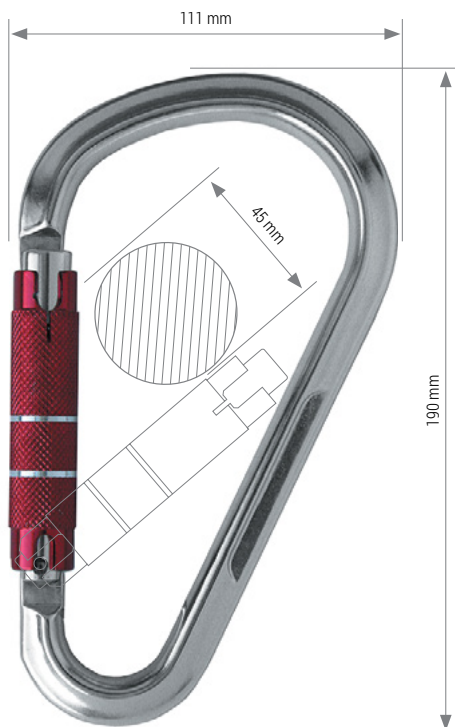
AZ 019DT

AZ 111

Detachable connector with "twist lock" gear

EN 362

Ref. no.: AZ111



PARAMETERS

Dimensions:	190 x 111 mm
Opening:	45 mm
Weight:	205 g
Material:	aluminium
Static strength	20 kN

REF. NO.:

AZ 111

AZ 111B

Detachable connector with "twist lock" gear

EN 362

Ref. no.: AZ111B



PARAMETERS

Dimensions:	196 x 111 mm
Opening:	45 mm
Weight:	220 g
Material:	aluminium
Static strength	20 kN

REF. NO.:

AZ 111B

AZ 122

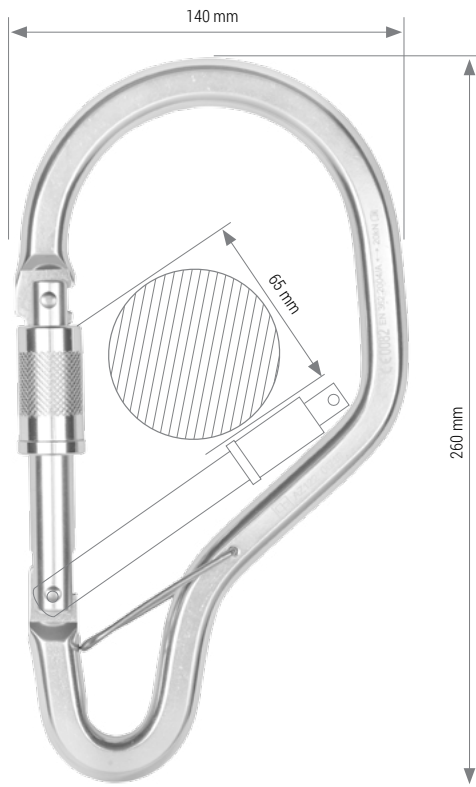
Detachable connector with "twist lock" gear

NEW

EN 362

Ref. no.: AZ122

CE



PARAMETERS

Dimensions:	260 x 140 mm
Opening:	65 mm
Weight:	360 g
Material:	aluminium
Static strength	20 kN

REF. NO.:

AZ 122

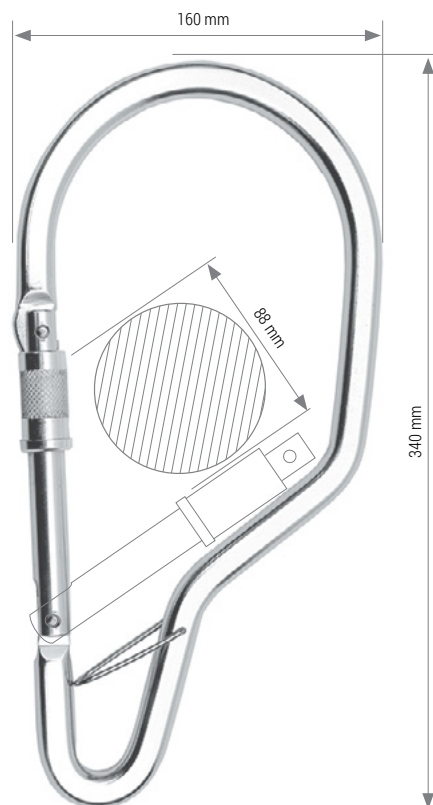
AZ 125

Detachable connector with "twist lock" gear

EN 362

Ref. no.: AZ125

CE



PARAMETERS

Dimensions:	340 x 160 mm
Opening:	88 mm
Weight:	490 g
Material:	aluminium
Static strength	20 kN

REF. NO.:

AZ 125

AZ 024

Integrated connector with locking gear

EN 362

Ref. no.: AZ024



Integrated connector is available as a factory-mounted in the PROTEKT equipment or as a separate anchor element.

PARAMETERS

Dimensions:	350 x 190 mm
Opening:	110 mm
Weight:	935 g
Material:	aluminium
Static strength	20 kN

REF. NO.:

AZ 024 - separately

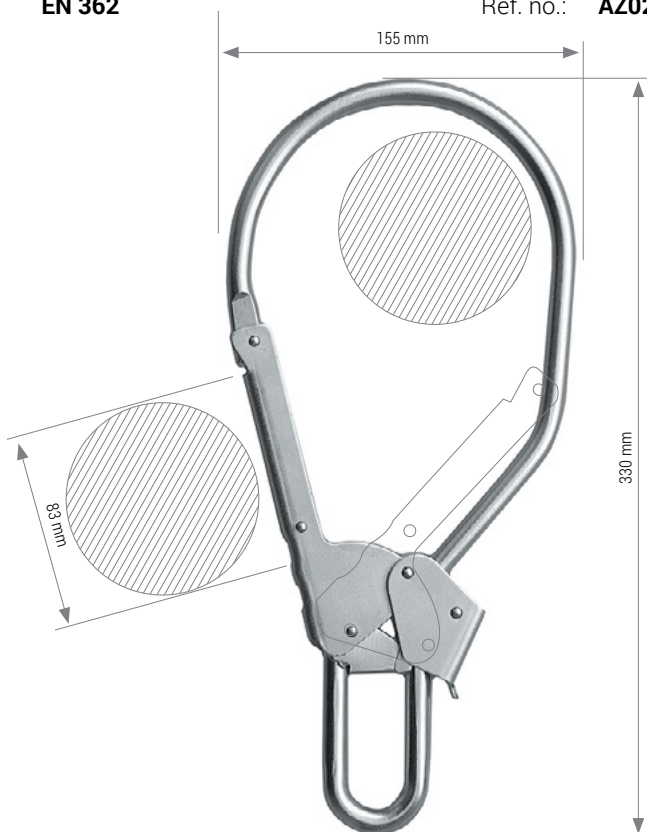
AZ 024 - factory-mounted in equipment

AZ 025

Integrated connector with locking gear

EN 362

Ref. no.: AZ025



Integrated connector is available as a factory-mounted in the PROTEKT equipment or as a separate anchor element.

PARAMETERS

Dimensions:	330 x 155 mm
Opening:	83 mm
Weight:	845 g
Material:	steel galvanically protected against corrosion
Static strength	20 kN

REF. NO.:

AZ 025 - separately

AZ 025 -factory-mounted in equipment

EN 362

Ref. no.: AZ029



LOW WEIGHT 340 g
thanks to composite elements

Integrated connector is available as a factory-mounted in the PROTEKT equipment or as a separate anchor element.

COLOUR VERSIONS



PARAMETERS

Dimensions:	146 x 206 mm
Opening:	50 mm
Weight:	340 g
Material:	galvanized steel, composite
Static strength	25 kN

REF. NO.:

AZ 029 - separately

AZ 029 - factory-mounted in equipment

EN 362

Ref. no.: AZ029ISOL

CE



Integrated connector is available as a factory-mounted in the PROTEKT equipment or as a separate anchor element.

PARAMETERS

Dimensions:	150 x 208 mm
Opening:	50 mm
Weight:	350 g
Material:	galvanized steel, composite
Static strength	25 kN

SPECIAL FEATURES



REF. NO.:

AZ 029 ISOL - separately

AZ 029 ISOL - factory-mounted in equipment



LIGHT CONNECTOR AT ONLY 250 g

thanks to use of aluminium 7075 T6

New light connector AZ 055 thanks to use of high-quality materials (aluminium 7075 T6) and large opening (50mm) suits perfectly for cooperation with retractable type fall arresters such as WR 020/WR 040. The used swivel shackle prevents twisting of webbing or lanyard during operation and thus increases use comfort and safety. Moreover the applied anodizing considerably improves anti-corrosion characteristics of the product.

Integrated connector is available as a factory-mounted in the PROTEKT equipment or as a separate anchor element.

PARAMETERS

Dimensions:	97 x 244 mm
Opening:	50 mm
Weight:	250 g
Material:	aluminium 7075 T6
Static strength	20 kN

REF. NO.:

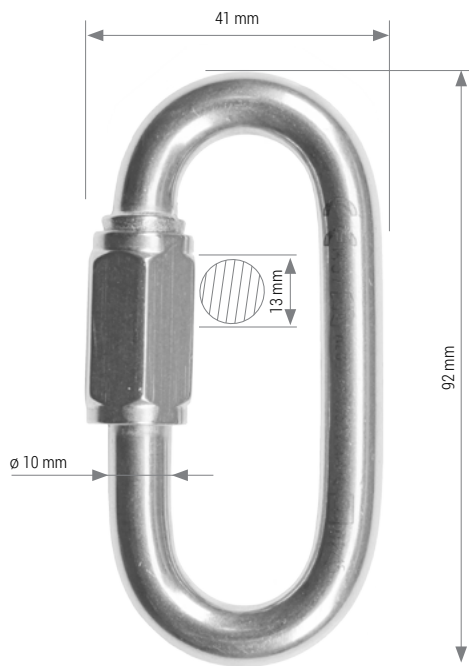
AZ 055

AZ 090

Detachable connector with locking gear

EN 362

Ref. no.: AZ090



Connector AZ 090 is intended for short-time and fixed connection of individual components of a fall protection system.

PARAMETERS

Dimensions:	92 x 41 mm
Opening:	13 mm
Weight:	65 g
Material:	stainless steel
Static strength	35 kN

SPECIAL FEATURES



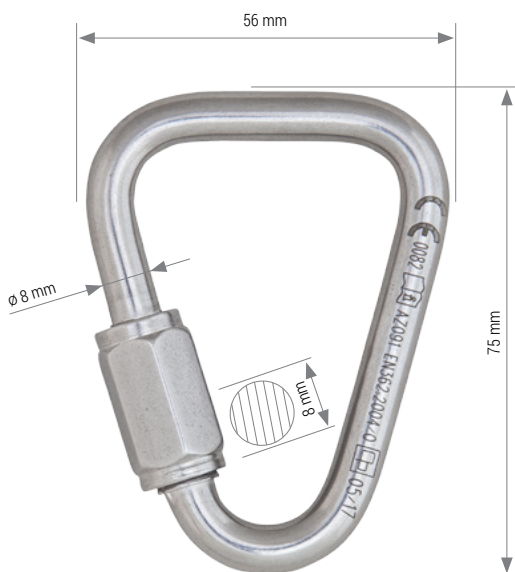
REF. NO.:
AZ 090

AZ 091

Detachable connector with locking gear

EN 362

Ref. no.: AZ091

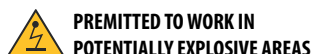


Connector AZ 091 is intended for short-time and fixed connection of individual components of a fall protection system.

PARAMETERS

Dimensions:	75 x 56 mm
Opening:	8 mm
Weight:	45 g
Material:	stainless steel
Static strength	20 kN

SPECIAL FEATURES



REF. NO.:
AZ 091





Industrial safety helmets, eye and hearing protection

Industrial safety helmets	6 - 2
Face shields and ear protectors	6 - 5
Bump caps	6 - 10



Typical application:

**WORKING AT HEIGHT
CONSTRUCTION
INDUSTRY
FORESTRY
INDUSTRY**



rotatable
headband

IH ■■■ 100 ■■■



**SCAN ME
▶ VIDEO**



fixed
headband

IH ■■■ 200 ■■■

ATRA 10V ventilated



EN 397:2012+A1:2012

☑ **ventilated**

In the ATRA 10V shell made of ABS there are 10 ventilation holes ensuring users' comfort even on hot days.



ATRA 10 electrically insulated



EN 397:2012+A1:2012
EN 50365: 2002



☑ **for use on low
voltage installations
up to 1000V AC or 1500V DC**

ATRA10 is a helmet that meets the highest electrical insulation standards. It protects against accidental, short-term contact with a live conductor up to 440V AC (in accordance with the optional requirements of EN 397) and can be used as an electrically insulating helmet

on low voltage installations - it provides protection against electric shock up to 1000V AC or 1500V DC (in accordance with the requirements of EN 50365: 2002).

The helmet has been designed to protect the user's head against falling objects. It is characterized by high strength, low weight and a wide adjustment range. Helmet is equipped with universal 30 mm sockets that allow the installation of additional equipment such as earmuffs or face protectors. It meets the requirements of the EN 397 standard and can be used in the temperature range of -30°C / +50°C.

Each helmet includes:

- helmet shell
- chin strap (attached to the helmet shell in 4 points)
- support tapes (attached to the helmet shell in 6 points)
- main harness headband with a convenient adjustment mechanism carried out with a knob
- removable, velour sweatband.



**SCAN ME
GO TO
WEBSITE**

VERSIONS



IH 100 YYY ZZZ electrically insulated



IH 101 YYY ZZZ ventilated



IH XXX 100 ZZZ rotatable headband



IH XXX 200 ZZZ fixed headband

IH XXX YYY ZZZ



IH XXX YYY 001 white



IH XXX YYY 002 yellow



IH XXX YYY 003 red



IH XXX YYY 004 blue



IH XXX YYY 005 Hi-Vis yellow



IH XXX YYY 006 orange



IH XXX YYY 007 green



IH XXX YYY 008 pink



IH XXX YYY 009 black

MONTANA

Industrial safety helmet

EN 397

Ref. no.: HA 008



COLOUR:

REF. NO.: 01		ORANGE	NR. KAT. 05		BLUE
REF. NO.: 02		YELLOW	REF. NO.: 06		WHITE
REF. NO.: 03		RED			

PARAMETERS

Weight: 490 g

Protective helmet is made of polycarbonate which provides its resistance to damage and very low weight. The helmet is comfortable in use, and fits to the head shape and size – it is fitted with six-point webbing harness and includes a sweat band. Has closable ventilation holes. At both sides, slots for mounting hearing protection are provided..

On the inner side, the helmet is fitted with standard transparent polycarbonate goggles. Also tinted goggles are available. This helmet is recommended for scaffolding fitters, tree climbers, crane operators; does not limit user's visibility and makes user comfortable when looking up

With four-point chin strap the helmet is particularly comfortable in use when performing overhead works.

HA 006 11

Hearing protectors

EN 397

Ref. no.: HA 006 11



PARAMETERS

Weight:	300 g
---------	-------

HA 006 12

Mesh face shield

EN 397

Ref. no.: HA 006 12



Mesh face shield ensures general protection against particles moving at 12m/s. The face shield comes out with mounting clamps included.

PARAMETERS

Weight:	165 g
---------	-------

HA 006 13

Polycarbonate face shield

Ref. no.: HA 006 13



Provides protection against particles of moderate energy and moving at 120m/s, and liquid and molten metal splashes, and also arcing. Optical properties of the shield meet requirements of optical class 1 (the highest).

PARAMETERS

Weight:	125 g
---------	-------

HA 006 14

Face shield against arcing

EN 166

Ref. no.: HA 006 14



Provides protection against particles of moderate energy and moving at 120m/s, and liquid and molten metal splashes, and also arcing. Optical properties of the shield meet requirements of optical class 1 (the highest).

PARAMETERS

Weight:	155 g
---------	-------

HA 006 15

Acetate face shield, transparent

Ref. no.: HA 006 15



Provides protection against particles of low energy and moving at 45m/s, and liquid splashes. Optical properties of the shield meet requirements of optical class 1 (the highest). The face shield comes out with mounting clamps included.

PARAMETERS

Weight:	155 g
---------	-------

HA 006 16

Polycarbonate face shield

EN 397

Ref. no.: HA 006 16



Provides protection against particles of low energy and moving at 45m/s, and liquid splashes. The shield can be used for gas welding. In case of other welding methods face shield of much darker visor is required. Optical properties of the shield meet requirements of optical class 1 (the highest).

PARAMETERS

Weight:	155 g
---------	-------

HA 006 10

Sweat band
for helmet EVO LITE

Ref. no.: HA 006 10



HA 008 10

Sweat band
for helmet Montana

Ref. no.: HA 008 10



HA 006 17

Harness
for helmet EVO LITE

Ref. no.: HA 006 17



HA 008 17

Harness
for helmet Montana

Ref. no.: HA 008 17



HA 006 18

Reflective stickers for helmet EVO LITE

EN 397

Ref. no.: HA 006 18



Reflective stickers for helmet EVO LITE

HA 006 19 Clamp for mounting shields on helmet EVO LITE

HA 006 30 Chin strap for helmet EVO LITE

EN 397

Ref. no.: HA 006 19

Ref. no.: HA 006 30



PARAMETERS

Weight: 45 g



PARAMETERS

Weight: 25 g

CUPPIE 1

Light industrial safety helmet

EN 812

Ref. no.: HA 131



COLOUR VERSIONS

	RED
	DARK GREEN
	BLUE
	BLACK
	WHITE

Industrial safety helmet intended for head protection against impacts by solid stable objects. Manufactured as a textile peaked cap equipped with protective pad. The cap has length-wise ventilation holes protected by polyester mesh, hard peak with polyamide pad and cotton adjustment strap at the back. Head size: 55 - 62cm.

PARAMETERS

Weight:	220 g
Head size:	55 - 62 cm

CUPPIE 2


Light industrial safety helmet

EN 812

Ref. no.: HA 132



COLOUR VERSIONS

	HV ORANGE
	HV YELLOW/GREEN
	RED
	GREEN
	DARK BLUE
	BLACK
	GREY
	BLUE
	WHITE

Light industrial safety helmet with protective pad. Provides head protection against impacts by solid objects or structural elements. Not suitable for protection against falling objects. Size adjusted by adjustment strap at the back.

PARAMETERS

Weight:	235 g
Head size:	56 - 61 cm
Peak length:	5 cm



Work ropes and work positioning lanyards

Work ropes

7 - 2

Work positioning lanyard

7 - 6

PROTEKT[®]

7

TU 130

Work rope

EN 1891 Class A

Ref. no.: PESPA 13,5-K-16



**Spliced Eye - EN 1891
certified eye splicing**

min. strength with loops 15kN
breaking force 24kN

The rope is intended mainly for arborist works. Features large diameter enabling larger strength to damages and adequate flexibility for working with pulleys, connectors and other equipment. Red and white colour provides good visibility

PARAMETERS

Rope diameter:	Ø 13,5 mm
Weight:	130 g/m
Kernmantle slip:	0 mm
Drop-off number:	1
Relative elongation:	3% (50-150 kg)
Shrinkage:	0.5 %
Min. static strength:	22 kN
Breaking strength:	37 kN
Core:	polyamide
Kernmantle:	polyester

AVAILABLE COLOUR VERSIONS



01

REF. NO.:	ROPE DIAMETER
PesPa 13,5-K-16	13 mm

TU 131

Work rope

EN 1891 Class A

Ref. no.: PA 100



AVAILABLE COLOUR VERSIONS



01

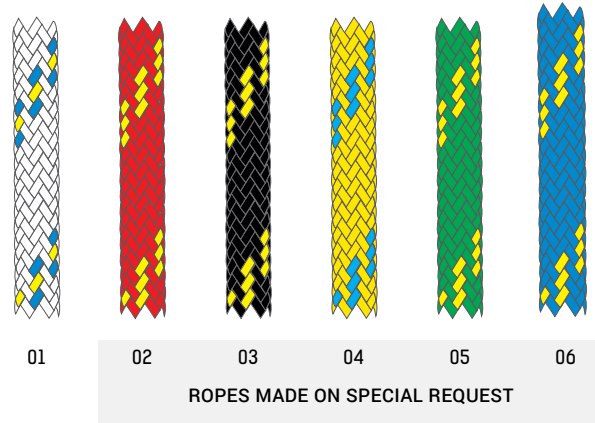
PARAMETERS

Rope diameter:	Ø 10 mm	Ø 10,5 mm	Ø 11 mm	Ø 12 mm
Weight:	68 g/m	72 g/m	76 g/m	98 g/m
Relative elongation:	3,4 %	2,9%	3,3 %	3,9 %
Kernmantle shift:	0,9 %	0,5%	1%	0,6 %
Min. Static strength:	22 kN	22 kN	22 kN	22 kN
Breaking strength:	29,10 kN	29,8 kN	30,60 kN	32,10 kN
Material:	polyamide	polyamide	polyamide	polyamide
REF. NO.:	Pa 100-10-K-24	Pa 100-105-K-24	Pa 100-11-K-24	Pa 100-12-K-24

Ref. no.: LL 060, LL 080, LL 110, LL 120, LL 140



AVAILABLE COLOUR VERSIONS



ROPES MADE ON SPECIAL REQUEST



If no colour version is specified, rope to be sent is colour version no. 01

PARAMETERS

Rope diameter:	Ø 6 mm	Ø 8 mm	Ø 10,5 mm	Ø 12 mm	Ø 14 mm
Weight:	30 g/m	51 g/m	92 g/m	108 g/m	140 g/m
Relative elongation:	2,30 %	1,80 %	1,15 %	1,20 %	1,20 %
Kernmantle shift:	0,6 %	0,8 %	0,4 %	0,5 %	0,3 %
Breaking strength:	11,06 kN	15,46 kN	27,41 kN	37,07 kN	39,25 kN
Material:	polyester	polyester	polyester	polyester	polyester
REF. NO:	LL 060	LL 080	LL 110	LL 120	LL 140

TU 132

Cargo rope

Ref. no.: **TU 132**



The rope is fully made of high-strength polyester. Formed as 12-fibre braid rope. Intended only for cargo transportation. Bright colour provides good visibility. Perfect as a work positioning rope for hydrants or pulleys.

PARAMETERS

	TU 132 016	TU 132 018
Rope diameter:	Ø 16 mm	Ø 18 mm
Strength:	37 kN	45 kN
Material:	polyester	polyester

REF. NO.:	ROPE DIAMETER
TU 132 016	Ø 16 mm
TU 132 018	Ø 18 mm

TU 135

Work rope

Ref. no.: **TU 135**



PARAMETERS

Rope diameter:	Ø 10 mm
Strength:	17 kN
Material:	aramid, polyester

REF. NO.:	ROPE DIAMETER
TU 135	Ø 10 mm

TU 145

Work positioning lanyard

Ref. no.: **TU 145**



PARAMETERS

Rope diameter:	Ø 20 mm
MBS:	124 kN
WLL:	30 kN
Material:	polyester

TU 145

Material:

TU 327

Splicing bodkin kit

Ref. no.: **TU 327**



PARAMETERS

Material: blue-anodized aluminium

Diameters:	TU 327 020 - Ø 24,00 mm
	TU 327 018 - Ø 22,00 mm
	TU 327 016 - Ø 18,00 mm
	TU 327 014 - Ø 16,00 mm
	TU 327 012 - Ø 14,00 mm
	TU 327 010 - Ø 12,00 mm
	TU 327 008 - Ø 9,00 mm
	TU 327 006 - Ø 6,00 mm

Kit comprising 8 bodkins with case for rope splicing.

TU 327



Rope edge guards and rope sleeves

Rope edge guards

8 - 2

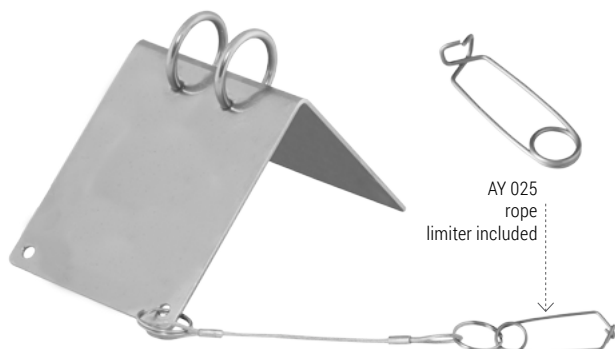
Rope sleeves

8 - 7

AX 902

Rope edge guard

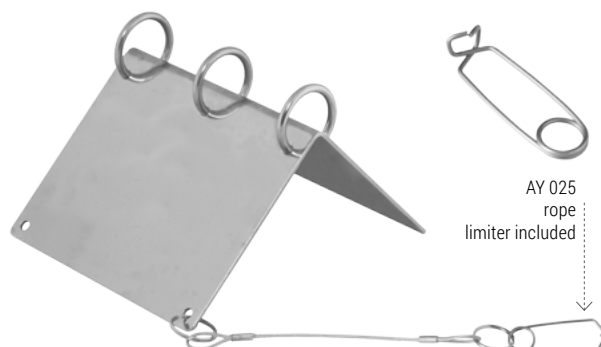
Ref. no.: AX 902



AX 903

Rope edge guard

Ref. no.: AX 903



AX 902 are guards providing protection of roof parapet elements and rope or webbing against sharp-edged parapet elements. Parts are made of stainless steel. The parts are suitable for use with one textile rope or webbing. The device is mounted to structural elements by connectors AZ 011.

AX 903 are guards providing protection of roof parapet elements and rope or webbing against sharp-edged parapet elements. Parts are made of stainless steel. The parts are suitable for use with one or two textile ropes or webbings. The device is mounted to structural elements by connectors AZ 011.

PARAMETERS

Material:	stainless steel
Dimensions:	120 x 175,5 mm
Weight:	0,85 kg

REF. NO.:

AX 902

PARAMETERS

Material:	stainless steel
Dimensions:	180 x 175,5 mm
Weight:	1,30 kg

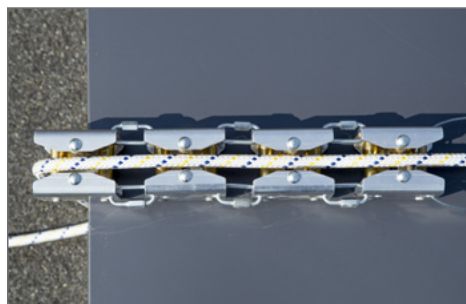
REF. NO.:

AX 903

AX 904

Rope edge guard

Ref. no.: AX 904



PARAMETERS

Temperature range:	-30°C / +50°C
Material:	aluminium, brass, steel

REF. NO.:

AX904/1

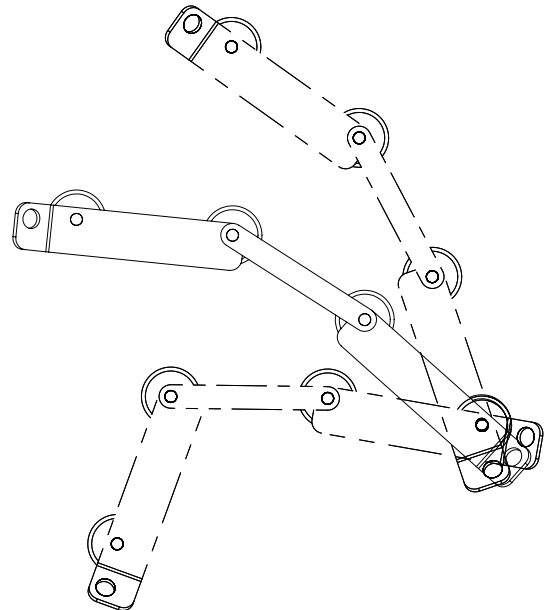
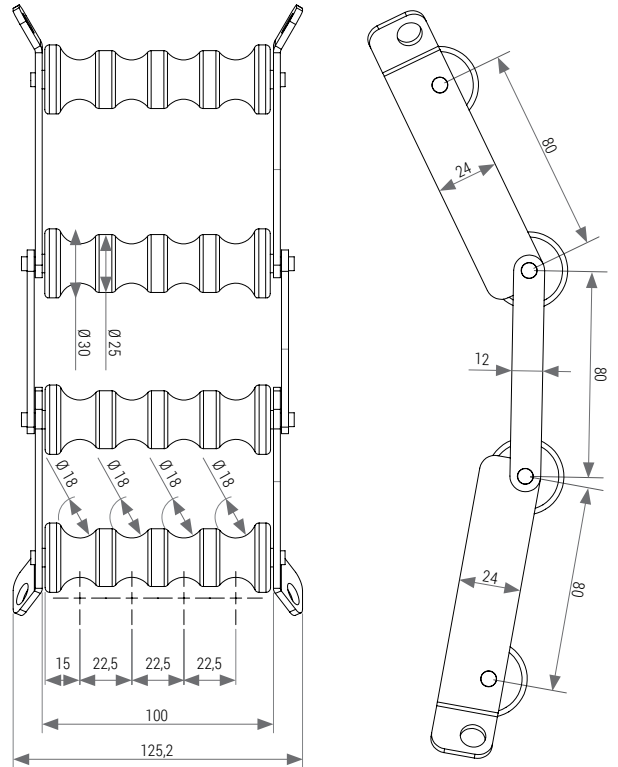
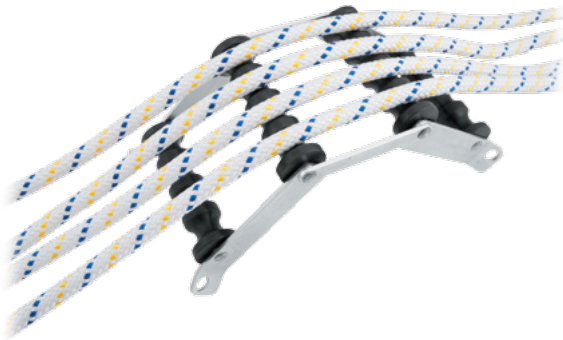
AX904/3

AX904/4

AX 905

Rope edge guard

Ref. no.: AX 905



PARAMETERS

Max. length:	300 mm
Weight:	620 g
Material:	steel, polyamide
Temperature range:	-30°C / +50°C

REF. NO.:

AX 905

AX 907

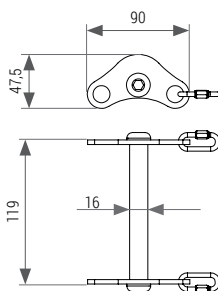
Rope edge guard

Ref. no.: AX 907



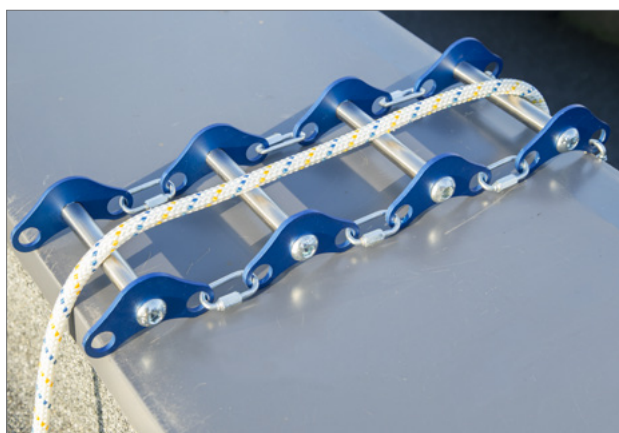
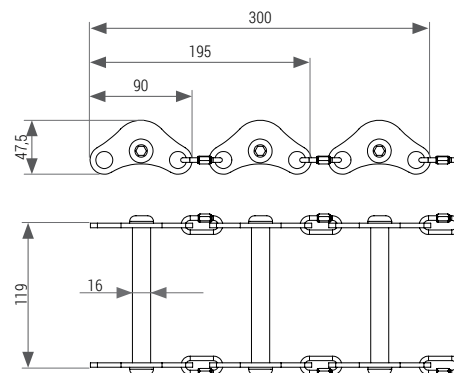
KIT AX 907/1

single module



KIT AX 907/3

three modules



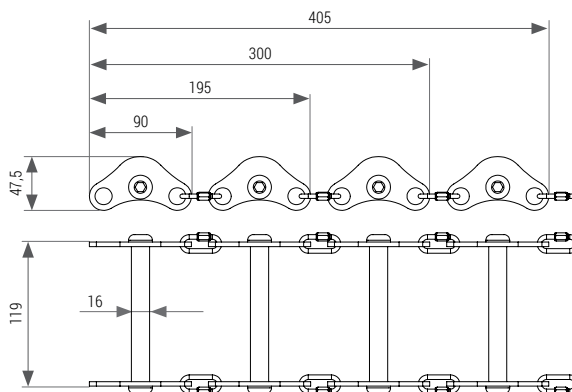
PARAMETERS

Temperature range:	-30°C / +50°C
Material:	aluminium, stainless steel, steel

REF. NO.:	NUMBER OF MODULES
AX 907/1	1
AX 907/3	3
AX 907/4	4

KIT AX907/4

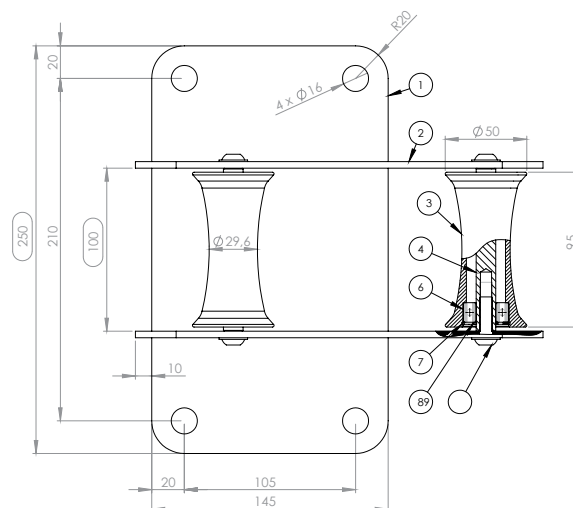
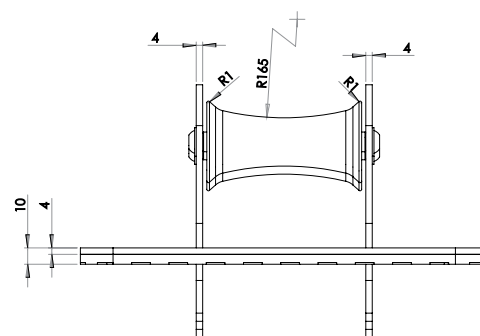
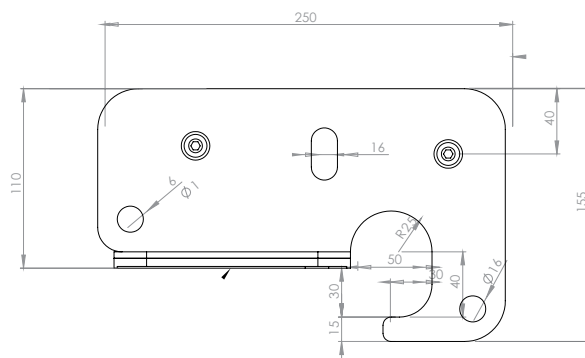
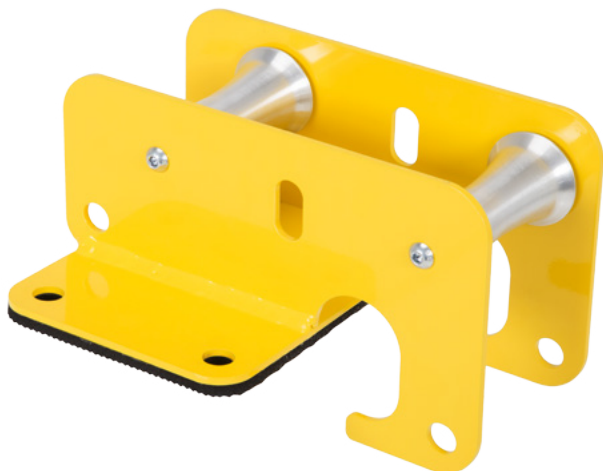
four modules



AX 908

Rope edge guard

Ref. no.: AX 908



Rope edge guard AX 908 is designed for use with a single rope or more ropes. Light aluminium design facilitates transport and installation. The guard has additional boreholes for roller mounting. Rubber padded base facilitates installation on smooth surfaces and protects them against damage.

PARAMETERS

Dimensions:	250 x 250 x 155 mm
Weight:	1,8 kg
Material:	aluminium, stainless steel, steel
Temperature range:	-30°C / +50°C

REF. NO.:

AX 908

AX 901

Rope sleeve

Ref. no.: AX 901



Rope sleeve AX 901 for cooperation with work rope on rope grab complying with EN 353-2 (LINOSTOP, ACOIO), preventing rope wearing on roof edges.

PARAMETERS

Material: polyester fabric / PVC

REF. NO.:

AX 901

TU 320

Rope cover

Ref. no.: TU 320



PARAMETERS

Material: natural leather

REF. NO.:

TU 320

WEIGHT

0,29 kg

TU 321

Rope sleeve

Ref. no.: TU 321



Rope guard TU 321 made of leather and PVC is suitable for cooperation with rope on rope grab complying with EN 353-2 (LINOSTOP II, ACOIO), preventing the rope from wearing.

PARAMETERS

Material: leather and PVC

REF. NO.:	LENGTH
TU 321 50	50 cm
TU 321 100	100 cm

TU 322

Rope sleeve

Ref. no.: TU 322



Rope sleeve TU 322 made of leather with velcro straps suitable for cooperation with rope on rope grab complying with EN 353-2 (LINOSTOP II, ACOIO), preventing the rope from wearing.

PARAMETERS

Material: natural leather

REF. NO.:	LENGTH
TU 322 50	50 cm
TU 322 100	100 cm

TU 323

Rope sleeve

Ref. no.: TU 323



PARAMETERS

Material:	PS + PCV
Available colours:	orange and khaki

REF. NO.:
TU 323

The TU 323 pad is designed as a multifunctional patch enabling i.e. comfort storage of laces and thin lines, protecting sharp edges when using lifelines, guarding rope ends against damage by pulley blocks, etc.





Work rope installation equipment

Insulating telescopic poles

9 - 2

Heads and working hooks

9 - 4

Cable clamps for cable installers

9 - 10

EN 50508
EN 60832-1

Insulating poles with UDI head



**TESTED
BY RESEARCH
INSTITUTE
OF POWER
ENGINEERING
IN WARSAW**

**Rated
voltage up
1-110 kV**



**SCAN ME
GO TO
WEBSITE**



TECHNICAL SPECIFICATION

Ref. no.:	DT9110	DT940	DT930	DT920	DT910	DT904	DT901
Weight	0,9 kg	0,62 kg	0,54 kg	0,54 kg	0,5 kg	0,36 kg	0,28 kg
Length	2006 mm	1356 mm	1150 mm	1150 mm	1000 mm	700 mm	500 mm
Rated voltage up to	110 kV	40 kV	30 kV	20 kV	10 kV	4 kV	1 kV
Tensile strength	1500 N	1500 N	1500 N	1500 N	1500 N	1500 N	1500 N
Torsional strength	12,5 Nm	12,5 Nm	12,5 Nm	12,5 Nm	12,5 Nm	12,5 Nm	12,5 Nm
Mechanical bending strength	150 Nm	150 Nm	150 Nm	150 Nm	150 Nm	150 Nm	150 Nm

COVER IN SET



AXDT 901
cover in proper length for version

EN 62193
EN 60832-1

Insulating telescopic poles with UDI head



**TESTED
BY RESEARCH
INSTITUTE
OF POWER
ENGINEERING
IN WARSAW**

**Rated
voltage up**

**110
-440 kV**



**SCAN ME
GO TO
WEBSITE**

**TECHNICAL
SPECIFICATION**

Ref. no.:	DT 203UDI	DT 200UDI	DT 201UDI	DT 202UDI
Weight	4,84 kg	3,96 kg	2,88 kg	2,04 kg
Maximum length	9374 mm	8180 mm	6476 mm	5023 mm
Minimum length	2356,5 mm	2239,5 mm	1927 mm	1927 mm
Rated voltage up to	440 kV	440 kV	220 kV	110 kV
Ilość członów	5	5	4	3
Tensile strength	1323 N	1323 N	1323 N	1323 N
Torsional strength	12,5 Nm	12,5 Nm	12,5 Nm	12,5 Nm
Mechanical bending strength	438 Nm	371 Nm	276 Nm	194 Nm

**COVER
IN SET**



AXDT 901

cover in proper length for version



EN 62193
EN 60832-1

Insulating telescopic poles



**TESTED
BY RESEARCH
INSTITUTE
OF POWER
ENGINEERING
IN WARSAW**

**Rated
voltage up**

**110
-440 kV**



**SCAN ME
GO TO
WEBSITE**

**TECHNICAL
SPECIFICATION**

**Fitting with
M10 thread**



Ref. no.:	DT 203	DT 200	DT 201	DT 202
Weight	4,68 kg	3,84 kg	2,76 kg	1,92 kg
Maximum length	9296 mm	8076 mm	6398 mm	4946 mm
Minimum length	2180,5 mm	2060,5 mm	1851,5 mm	1850 mm
Rated voltage up to	440 kV	440 kV	220 kV	110 kV
Ilość członów	5	5	4	3
Tensile strength	1323 N	1323 N	1323 N	1323 N
Torsional strength	12,5 Nm	12,5 Nm	12,5 Nm	12,5 Nm
Mechanical bending strength	434 Nm	365 Nm	271 Nm	190 Nm

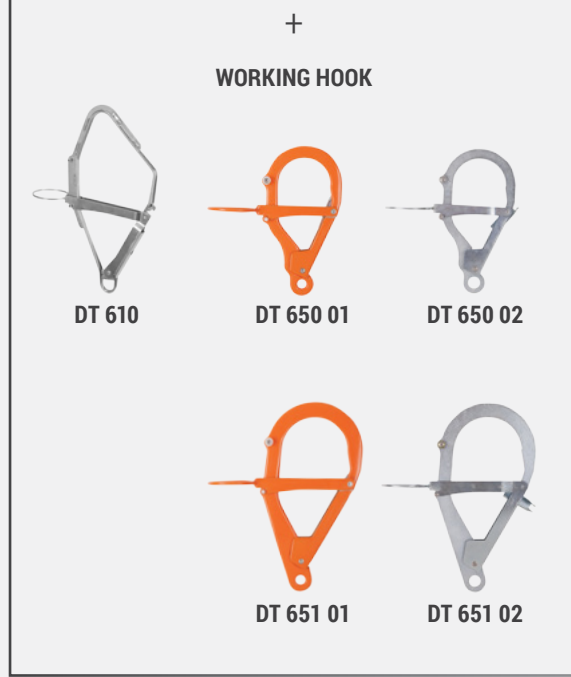
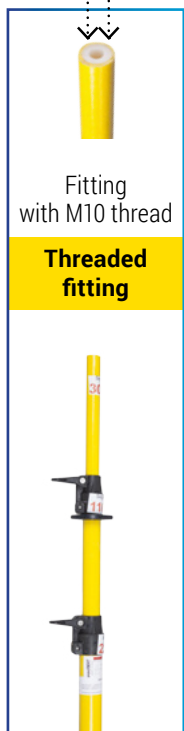
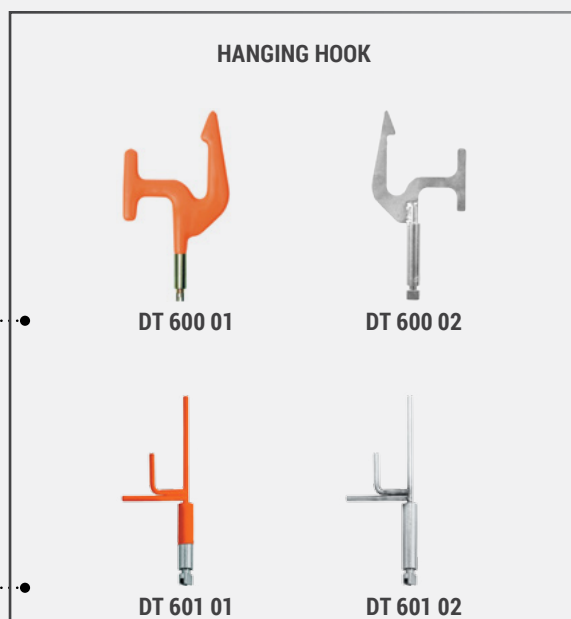
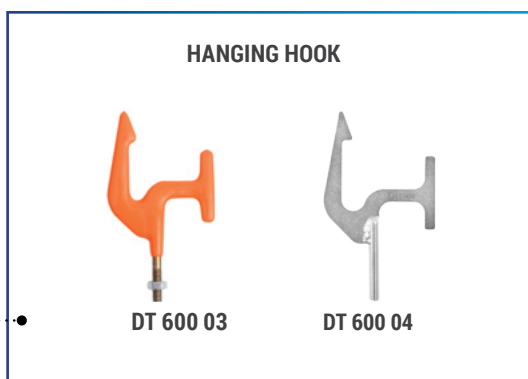
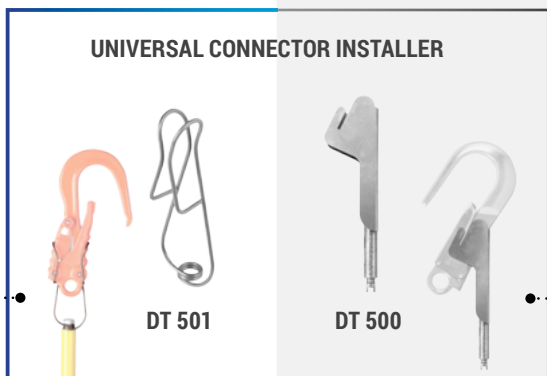
**COVER
IN SET**



AXDT 901

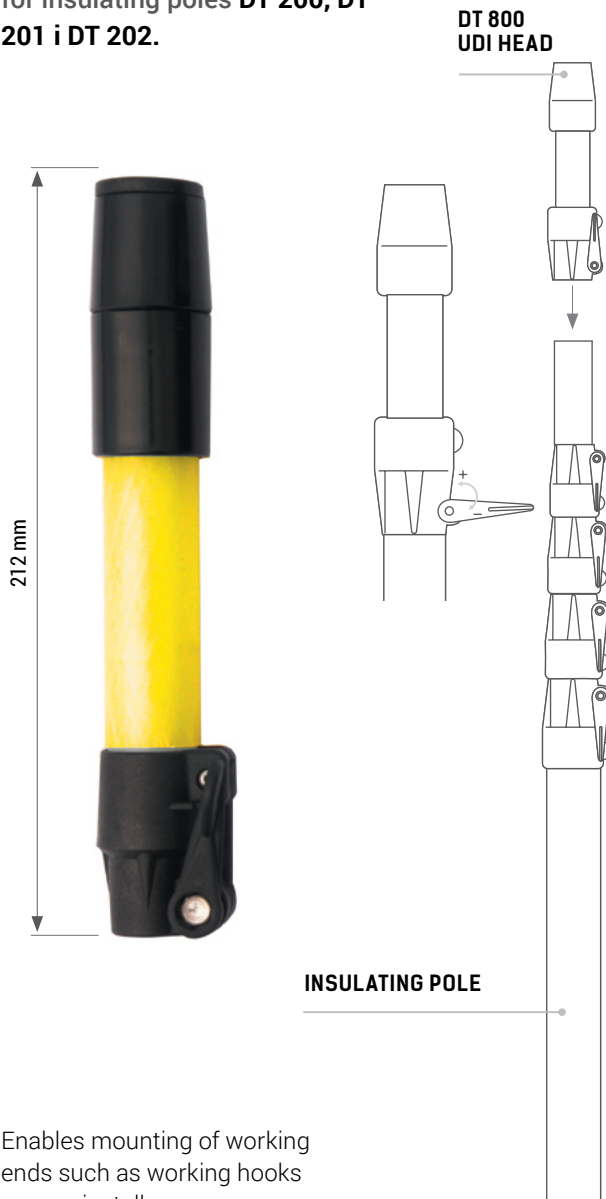
cover in proper length for version

Heads and working hooks for insulating poles



DT 800 UDI head

Extension section
for insulating poles DT 200, DT
201 i DT 202.



Enables mounting of working
ends such as working hooks
or rope installers.

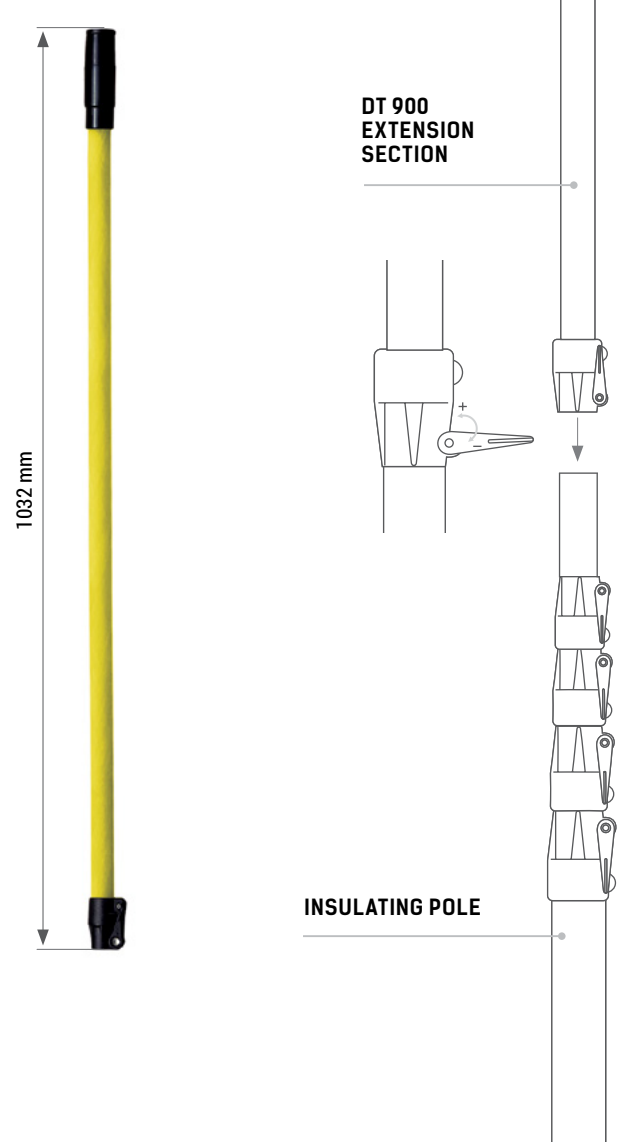
PARAMETERS

Dimensions:	Ø 39 x 212 mm
Weight:	~0,20 kg
Material:	pole - glass fibre fittings - PA + 30% glass fibre

REF. NO.:	WEIGHT
DT 800	0,20 kg

DT 900 Extension section

Extension section
for insulating poles
DT 200, DT 201 i DT 202.



PARAMETERS

Dimensions:	Ø 39 x 1032 mm
Weight:	~0,45 kg
Material:	pole - glass fibre fittings - PA + 30% glass fibre

REF. NO.:	WEIGHT
DT 900	0,45 kg

DT 600 Hanging hook

Cooperates with working hook
DT 610, DT 650 i DT 651.



DT 600 01
"Push-in" mounting



DT 600 03
Threaded fitting



DT 600 02
"Push-in" mounting



DT 600 04
Threaded fitting

Hanging hook for UDI head
or telescopic pole.

DEVICE VERSIONS	WEIGHT
Push-in mounting:	
DT 600 01 - hanging hook - insulated	0,25 kg
DT 600 02- hanging hook - non-insulated	0,20 kg
Threaded fitting M10:	
DT 600 03 - hanging hook - insulated	0,15 kg
DT 600 04 - hanging hook - non-insulated	0,15 kg

DT 601 Hanging hook

Cooperates with working hook
DT 610, DT 650 i DT 651
and cable clamp AT 191S.



DT 601 01 - insulated
"Push-in" mounting



DT 601 02 - non-insulated
"Push-in" mounting

Hanging hook for UDI head. Cooperates with working hook
DT 610, DT 650 and DT 651 and cable clamp AT 191S.

PARAMETERS

	DT 601 01	DT 601 02
Material:	galvanized steel + PVC	galvanized steel
Weight:	0,20 kg	0,15 kg
REF. NO.:		
	DT 601 01 - working hook - insulated	
	DT 601 02 - working hook - non-insulated	

DT 650 Working hook, small

DT 651 Working hook, large

EN 795:2012

EN 795:2012



Work hooks obtained a certificate compliance with the standard EN 795:2012



DT 650 01 - insulated



DT 651 01 - insulated

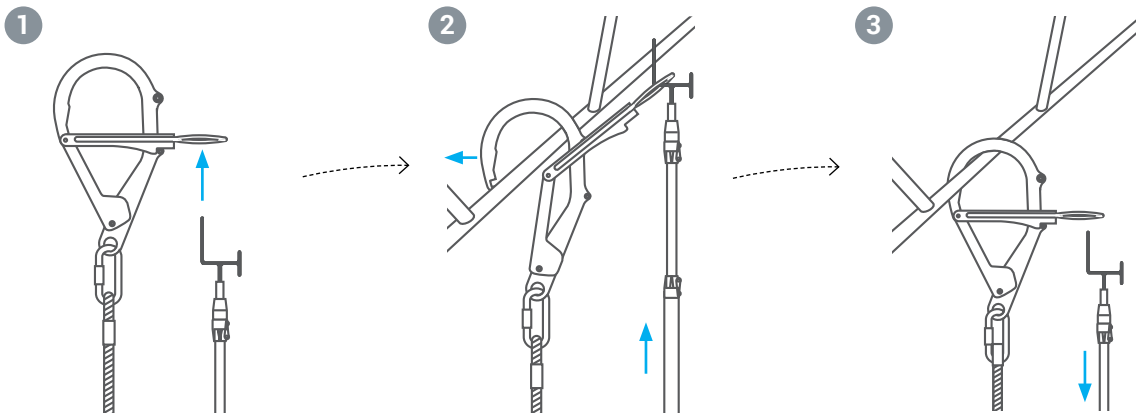


DT 650 02 - non-insulated



DT 651 02 - non-insulated

HOW TO USE?



PARAMETERS

	DT 650 01	DT 650 02
Material:	galvanized steel + PVC	galvanized steel
Opening:	65 mm	
Weight:	0,6 kg	0,5 kg

REF. NO.:

DT 650 01 - working hook - insulated

DT 650 02 - working hook - non-insulated

PARAMETERS

	DT 651 01	DT 651 02
Material:	galvanized steel + PVC	galvanized steel
Opening:	85 mm	
Weight:	0,95 kg	0,9 kg

REF. NO.:

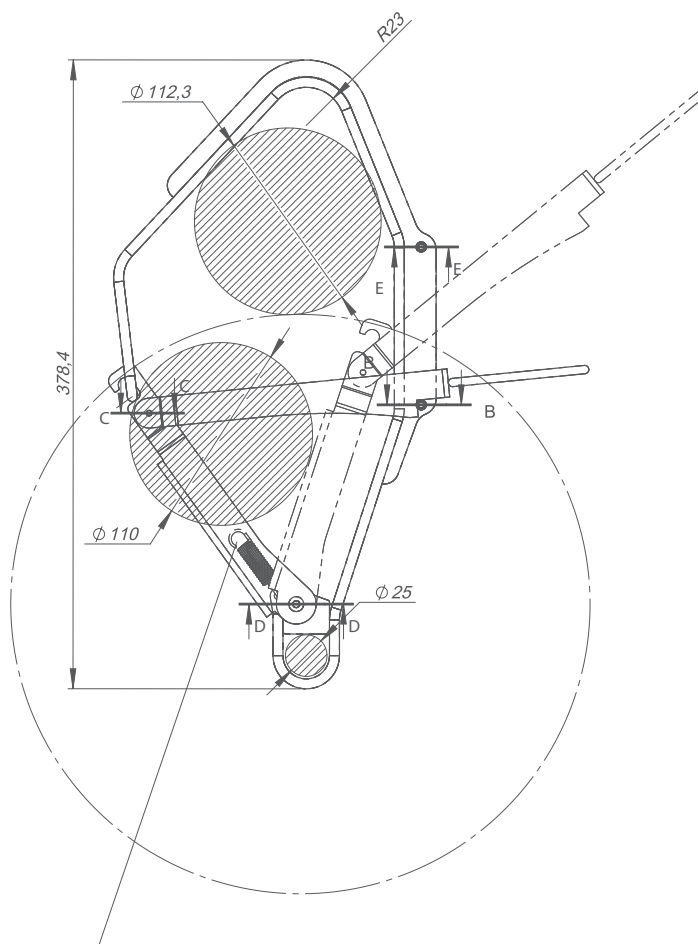
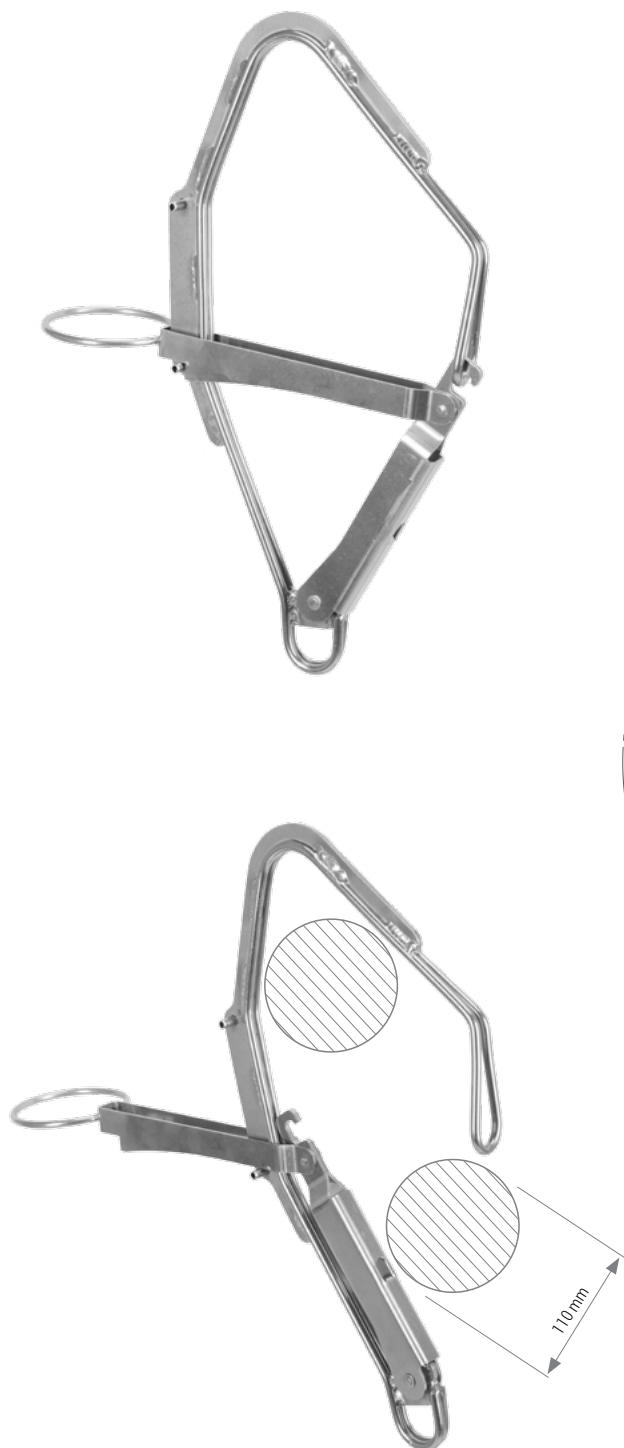
DT 651 01 - working hook - insulated

DT 651 02 - working hook - non-insulated

DT 610

Working hook, stainless

EN 795:2012 type B



PARAMETERS

Opening:	110 mm
Weight:	800 g
Material:	stainless steel
Strength:	25 kN

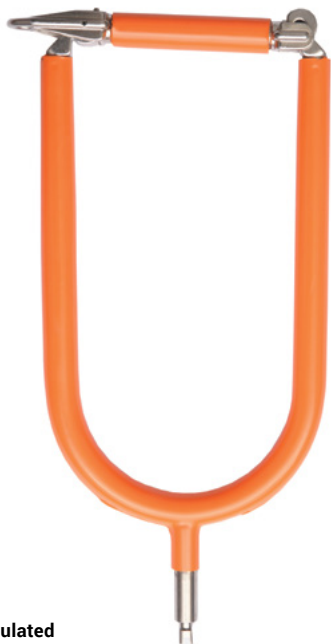
REF. NO.:

DT 610

New working hook DT 610 made of stainless steel, with opening 110mm is a connector and a component of fall arrest system. Fitted with gravitational opening locking to ensure safe use of the device.

DT 720

Rope installer

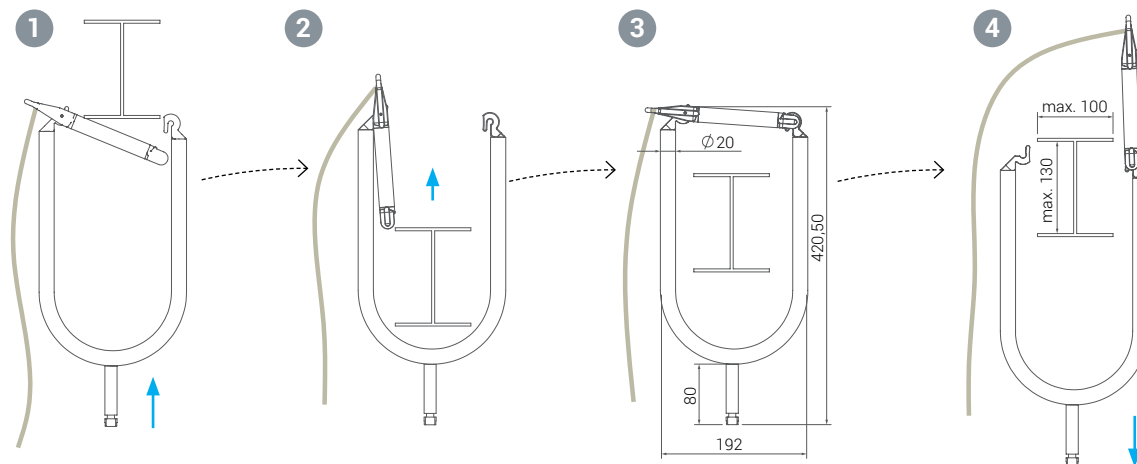


DT 720 01 - insulated
"push-in" mounting



DT 720 02 - non-insulated
"push-in" mounting

HOW TO USE?



PARAMETERS

	DT 720 01	DT 720 02
Material:	stainless steel + PVC	stainless steel
Weight:	1,3 kg	1,1 kg

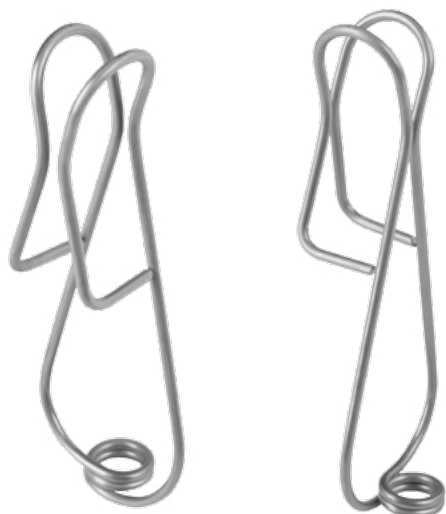
Rope installer DT 720 with a handle for UDI head of a telescopic pole. Cooperates with telescopic pole DT 200 and head DT 800. Intended for cooperation with a rope 6-10mm dia. Installer is available in insulated and non-insulated version.

REF. NO.:

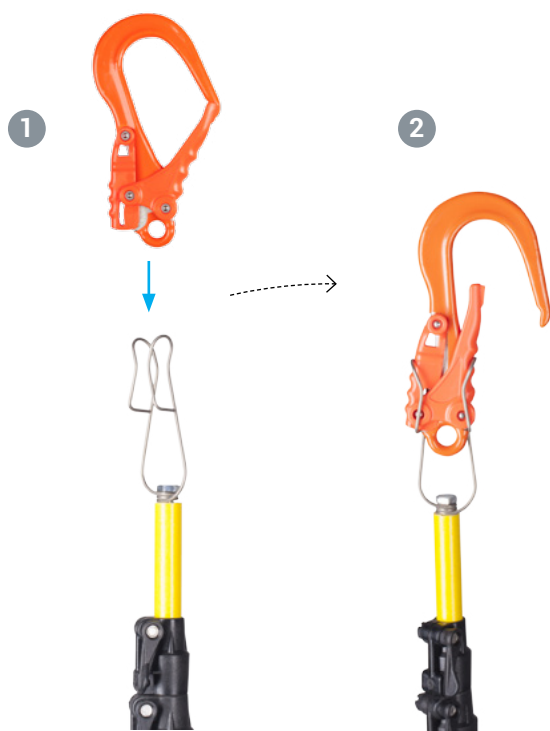
DT 720 01 - insulated

DT 720 02 - non-insulated

DT 501 Universal connector installer



HOW TO USE?



PARAMETERS

Weight: 30 g
Material: stainless steel

REF. NO.:
DT 501

DT 100 Auxiliary rope for rope installer



PARAMETERS

Material: polyamide

DEVICE VERSION

DT 100 - rope \varnothing 8 mm

DT 100 - rope \varnothing 10,5 mm

DT 100 - rope \varnothing 12 mm

DT 100 - rope \varnothing 14 mm

DT 750 Auxiliary rope for rope installer

Ref. no.: DT 750



One rope end protected by a film.

PARAMETERS

Material: polyamide


DEVICE VERSION

DT 750 - lina \varnothing 8 mm

AT 191 S

Cable clamp for telescopic pole

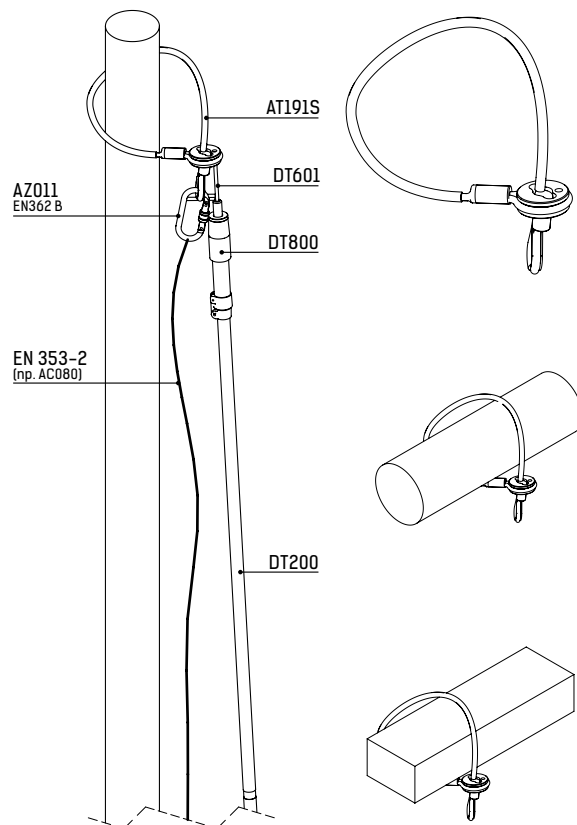
EN795 TYP B

 **INCREASED STRENGTH**
min. 30 kN



Cable clamp AT 191 S is a component of fall protection equipment. The clamp should be used as a transportable temporary anchor device type B, enabling connection of connecting and absorbing device to a structural anchor point on vertical structures or concrete poles. Cable clamp is formed by a section of stainless steel cable, 8 mm dia and 0.6 to 10m long. The clamp has loops of various diameters at both ends enabling for looping without using any additional connectors. One of the loops is fitted with a polyamide skid to facilitate the rope sliding. The skid provides support for hanging hook. In cooperation with hook DT 601 + DT 800 + DT 200, the skid enables safe assembly on steel or concrete electric poles.

Installation



PARAMETERS

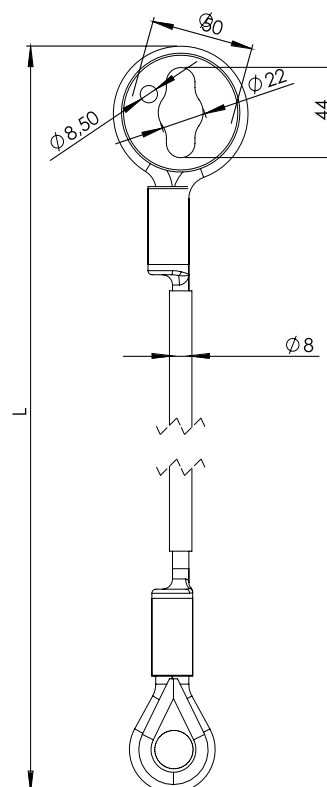
Material:	stainless steel, copper, polyamide
Static strength:	min. 30 kN

SPECIAL FEATURES

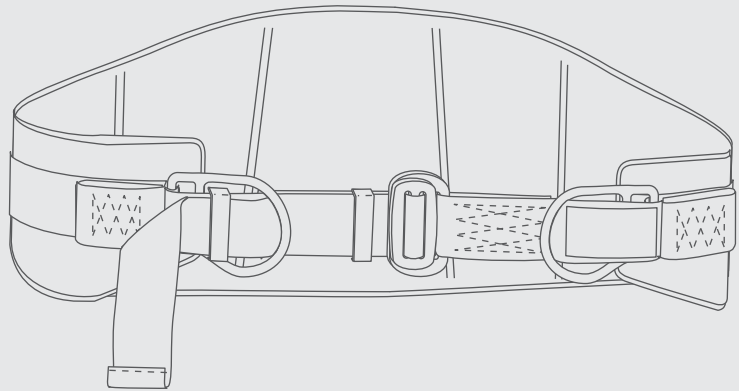
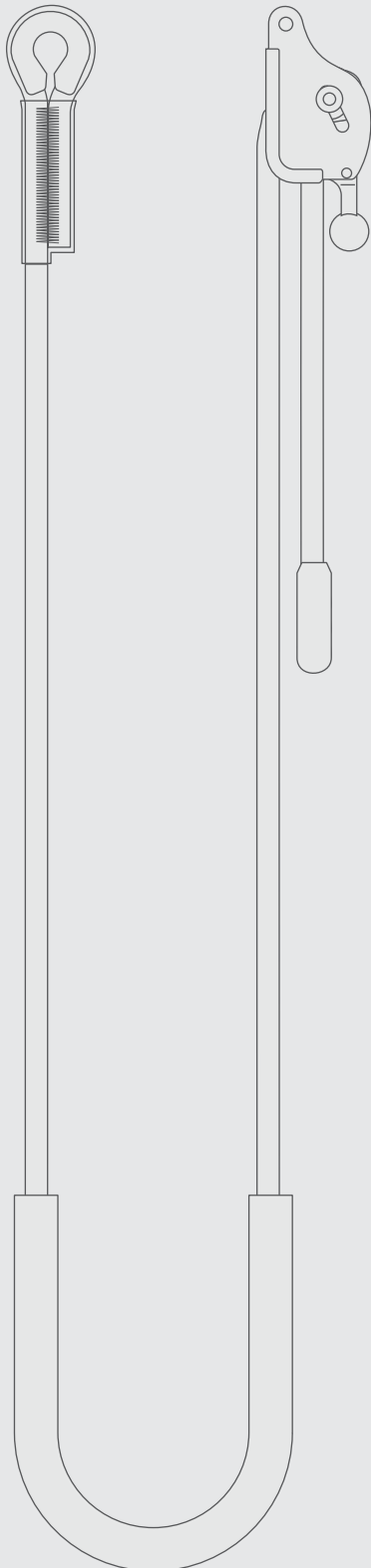
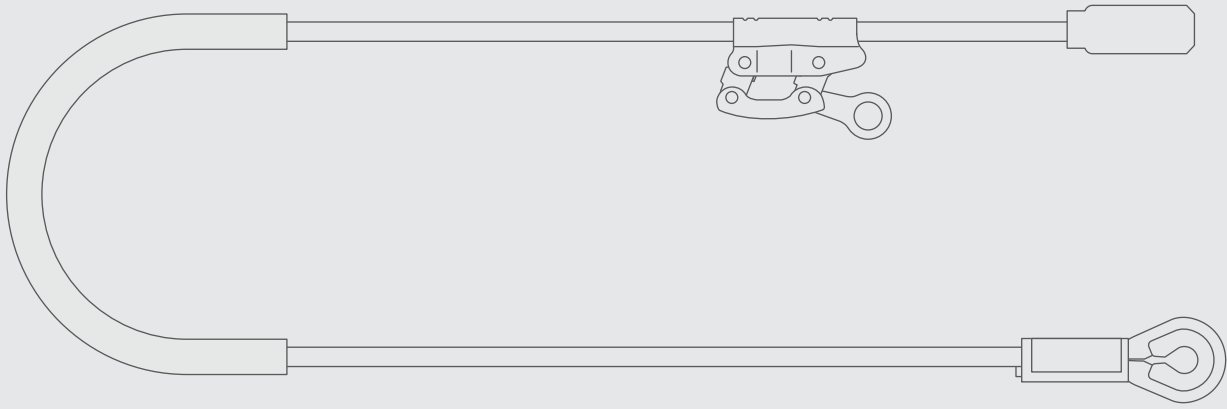


REF. NO.:	LENGTH
AT 191S 060	600 mm
AT 191S 100	1000 mm
AT 191S 200	2000 mm
AT 191S 300	3000 mm
AT 191S 500	5000 mm
AT 191S 1000	10 000 mm

AT 191S xx - any length up to 10m as ordered







Work positioning belts and devices

Work positioning belts	10 - 2
Work positioning devices	10 - 8
Work positioning webbing lanyards	10 - 19

PB 10

Work positioning belt

EN 358

CE



Belt fitted with ergonomically profiled padding, connecting and adjusting buckle and side attachment buckles. Work positioning belt PB 10 complements fall protection equipment and prevents falls from height during works at poles, trees, building structures, etc.

PARAMETERS

Webbing:	polyamide/polyester 45mm
Buckles:	galvanized steel
Threads:	polyester

SIZE	WEIGHT
M-XL (medium)	460 g
XXL (large)	480 g

PB 11

Work positioning belt

EN 358

CE



Belt fitted with ergonomically profiled padding, connecting and adjusting buckle, side attachment buckles and dorsal attachment buckle. Work positioning belt PB 11 complements fall protection equipment and prevents falls from height during works at poles, trees, building structures, etc.

PARAMETERS

Webbing:	polyamide/polyester 45mm
Buckles:	galvanized steel
Threads:	polyester

SIZE	WEIGHT
M-XL (medium)	470 g
XXL (large)	490 g

PB 20

Work positioning belt

EN 358

CE



Belt fitted with ergonomically profiled padding, connecting and adjusting buckle and side attachment buckles. Work positioning belt PB 20 complements fall protection equipment and prevents falls from height during works at poles, trees, building structures, etc.

PARAMETERS

Webbing:	polyamide/polyester 45mm
Buckles:	galvanized steel
Threads:	polyester

SIZE	WEIGHT
M-XL (medium)	670 g
XXL (large)	690 g

PB 30

Work positioning belt

NEW

EN 358

CE



PARAMETERS

Webbing:	polyamide/polyester 45mm
Buckles:	galvanized steel
Threads:	polyester

SIZE	WEIGHT
M-XL (medium)	710 g
XXL (large)	780 g

PB 31

Work positioning belt

EN 358

CE



SPECIAL FEATURES



**PERMITTED TO WORK IN
POTENTIALLY EXPLOSIVE AREAS**

PARAMETERS

Webbing:	polyamide/polyester 45mm	SIZE
Buckles:	galvanized steel	M-XL (medium)
Threads:	polyester	XXL (large)

Work positioning belt PB 31 for firemen. Belt fitted with ergonomically profiled padding, connecting and adjusting buckle, side attachment buckles and attachment webbing lanyard. Work positioning belt PB 31 complements fall protection equipment and prevents falls from height during works at poles, trees, building structures, etc.

PB 60

Work positioning belt

EN 358



Work positioning belt PB 60 is made from a single polyester webbing strip connected by an aluminium buckle. Fitted with a welt to enable smooth belt length adjustment (length between 0.45m and 2.0m). Chain with steel connector AZ 002 at the end. Work positioning belt PB 60 complements fall protection equipment and prevents falls during works at height.

SIZE

S-XXL (large)

PB 70

Work positioning belt

EN 358, EN 813



PRODUCT
PRESENTATION

protekt.co/pb70



Belt fitted with ergonomically profiled padding, connecting and adjusting buckle, side attachment buckles and attachment point for work in a harness. Work positioning belt / sit harness PB 70 complements fall protection equipment and prevents falls from height during works at poles, trees, building structures, etc.

PARAMETERS

Webbing:	polyamide/polyester 45mm
Buckles:	galvanized steel
Threads:	polyester

SIZE

M-XL (medium)

XXL (large)

WEIGHT

990 g

1020 g

TH-20

Harness for tree climbers

EN 358, EN 813



WORK POSITIONING BELT
WITH SIDE ATTACHMENT
BUCKLES



ADJUSTING
BUCKLE

Work positioning belt for tree climbers TH 20 fitted with ergonomically profiled padding, adjusting buckles, side attachment buckles and attachment point for work in a harness complying with EN 813. The belt includes aluminium adjusting buckles. There is no risk of an accidental release. Belt TH 20 is a basic equipment for works at height, mainly at trees, poles, building structures, etc.

PARAMETERS

Material: PES, aluminium

REF. NO.:	SIZE	WEIGHT
TH 120 01	M-XL	1450 g
TH 120 02	XXL	1490 g

ENHANCED

TH-30mX

Harness for tree climbers

EN 358, EN 813



WORK POSITIONING BELT
WITH SIDE ATTACHMENT
BUCKLES



AUTOMATIC
ADJUSTING
BUCKLE

Work positioning belt for tree climbers TH 30 fitted with ergonomically profiled padding, adjusting buckles, side attachment buckles and attachment point for work in a harness complying with EN 813. The belt includes automatic connecting and adjusting buckles. Comfortable wearing and removal. Belt TH 30 is a basic equipment for works at height, mainly at trees, poles, building structures, etc.

PARAMETERS

Material: PES, aluminium

REF. NO.:	SIZE	WEIGHT
TH 130 01	M-XL	1780 g
TH 130 02	XXL	1820 g

E ENHANCED
ALL AUTOMATIC
BUCKLES



TH-50mX

Work positioning belt with sit harness

ENHANCED

EN 358, EN 813

CE



Work positioning belt for tree climbers TH 50 with an integrated seat. Equipped with ergonomically profiled padding, adjusting buckles, side attachment buckles and attachment point for work in a harness complying with EN 813. The belt includes automatic connecting and adjusting buckles. Comfortable wearing and removal. Belt TH 50 is a basic equipment for works at height, mainly at trees, poles, building structures, etc.

PARAMETERS

Webbing:	polyamide/polyester 45mm
Buckles:	galvanized steel
Threads:	polyester

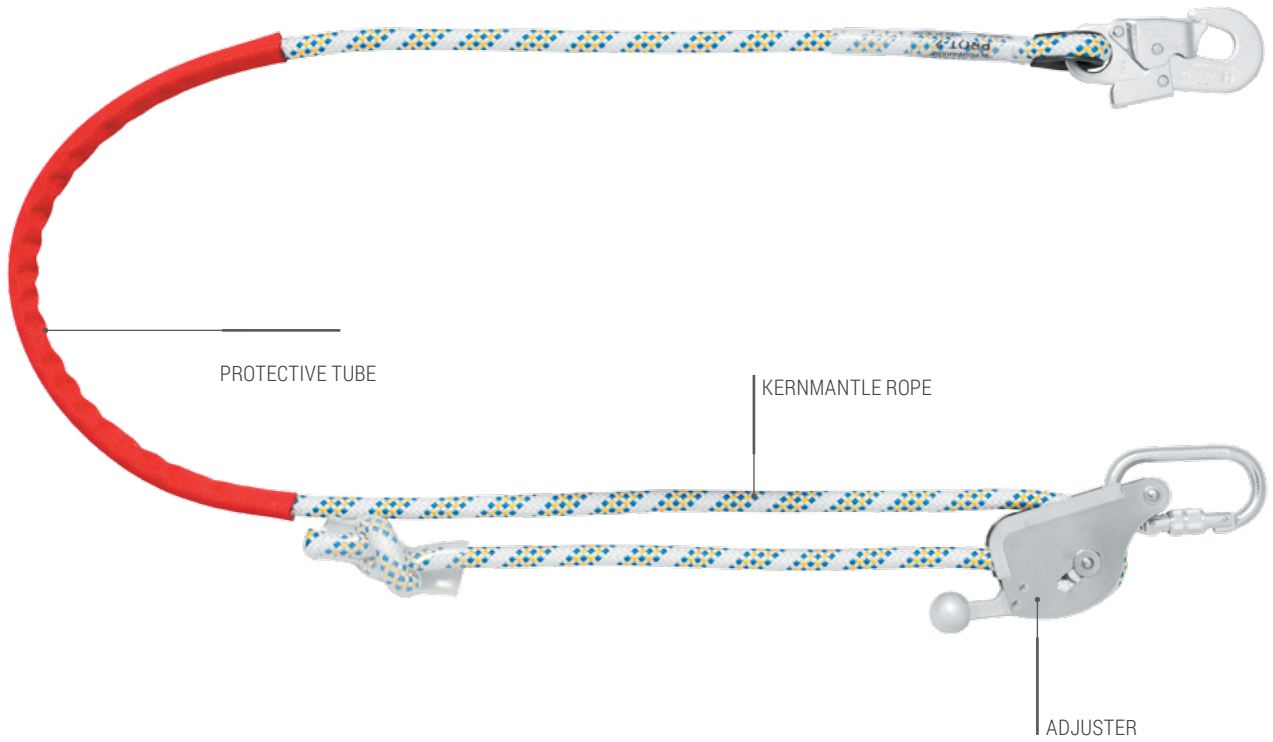
REF. NO.:	SIZE	WEIGHT
TH 150 01	M-XL	2500 g
TH 150 02	XXL	2600 g

PROT 2

Work positioning device

EN 358

CE



PARAMETERS

Kernmantle rope:	polyester rope Ø 14mm dia
Adjuster:	stainless steel, connector AZ 011
Protective tube:	coated fabric
Rope ends:	free end, thimble with connector AZ 002

Work positioning device PROT 2 comes with steel connectors AZ 002 (opening: 19mm) and AZ 011 (opening: 18mm).

REF. NO.:	LENGTH
AF 201 020	2,0 m
AF 201 025	2,5 m
AF 201 030	3,0 m
AF 201 040	4,0 m
AF 201 050	5,0 m
AF 201 100	10,0 m
AF 201 200	20,0 m

PROT 3

Work positioning device

EN 358

CE



Work positioning device PROT 3 comes with steel connectors AZ 002 (opening: 19mm) and AZ 011 (opening: 18mm).

PARAMETERS

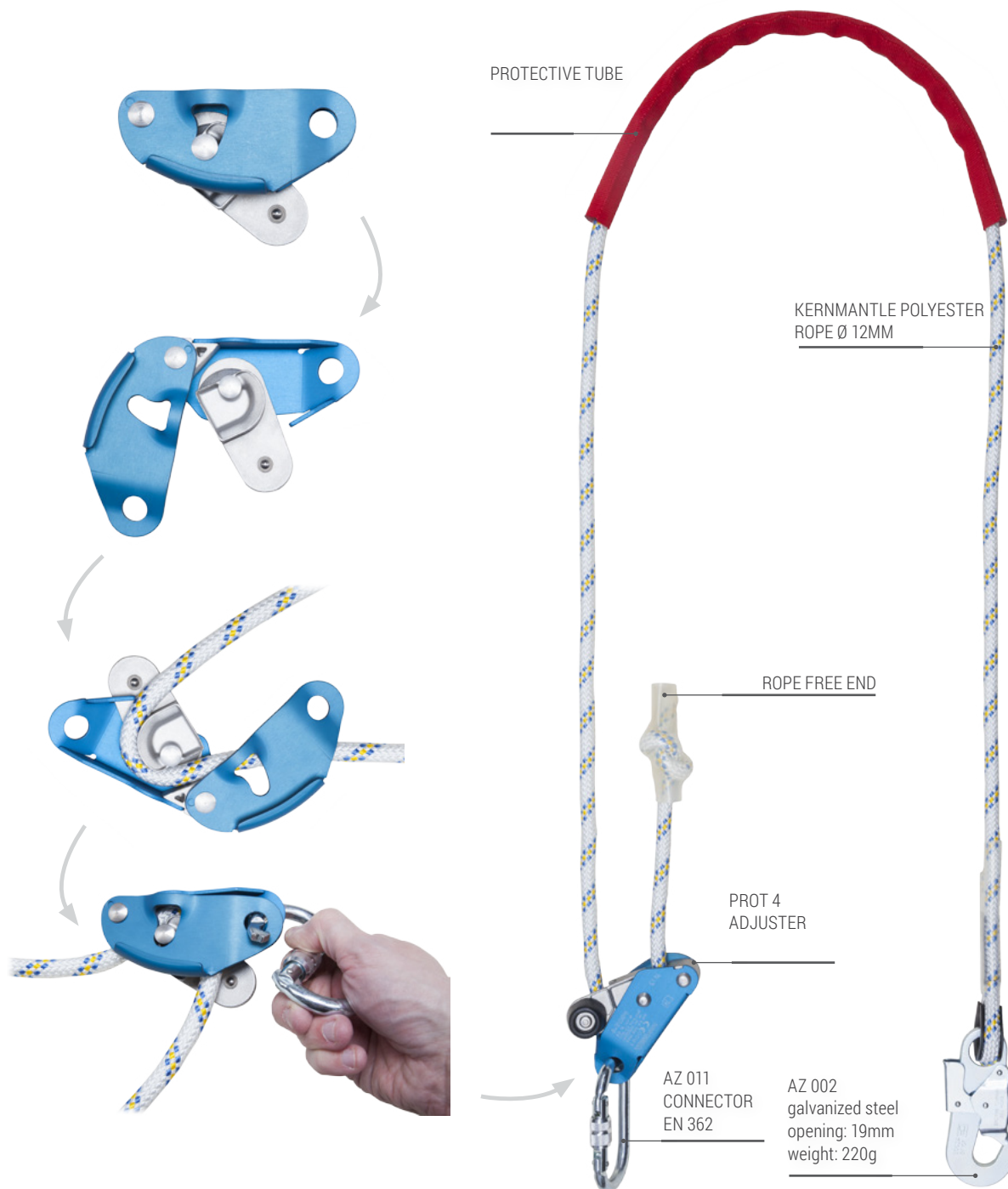
Kernmantle rope:	polyester rope Ø 14mm dia
Adjuster:	aluminium alloy, connector AZ 011
Protective tube:	coated fabricw
Rope ends:	free end, thimble with connector AZ 002

REF. NO.:	LENGTH
AF 130 020	2,0 m
AF 130 025	2,5 m
AF 130 030	3,0 m
AF 130 050	5,0 m
AF 130 100	10 m
AF 130 150	15 m
AF 130 200	20 m

PROT 4

Work positioning device

EN 358

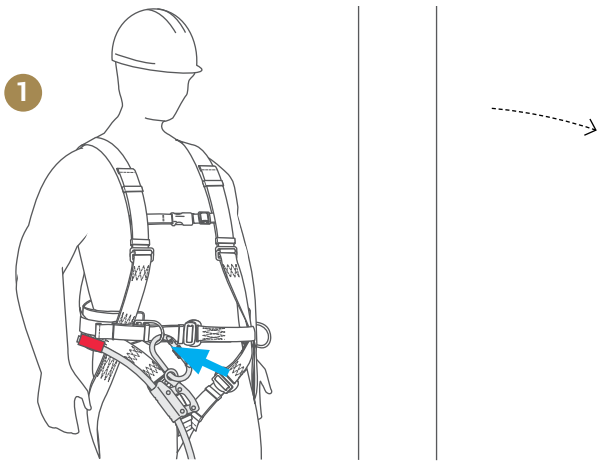


Work positioning device PROT 4 comes with steel connectors AZ 002 (opening: 19mm) and AZ 011 (opening: 18mm).

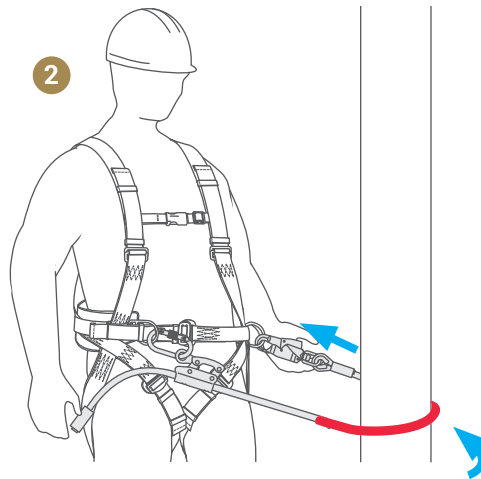
PARAMETERS

Kernmantle rope:	kernmantle polyester rope Ø 12mm dia
Adjuster:	aluminium, connector AZ 011
Protective tube:	coated fabric
Rope ends:	free end, thimble with connector AZ 002

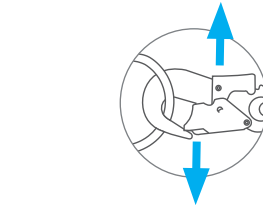
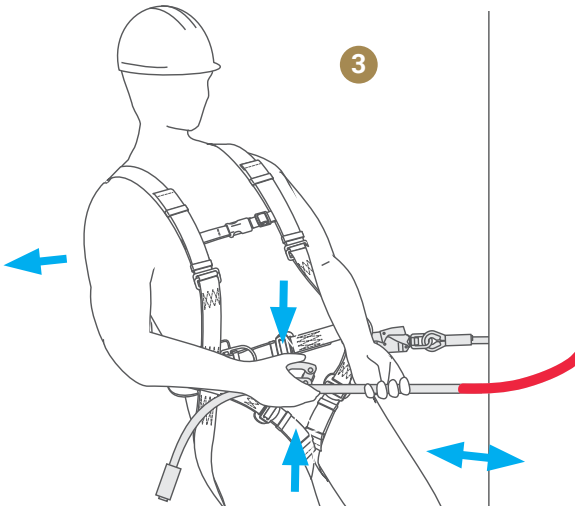
REF. NO.:	LENGTH
AF 104 020	2,0 m
AF 104 025	2,5 m
AF 104 030	3,0 m
AF 104 040	4,0 m
AF 104 050	5,0 m
AF 104 100	10,0 m
AF 104 200	20,0 m



1 Attach connector with rope adjuster to right attachment buckle on work positioning belt (or to the left for a left-handed user).

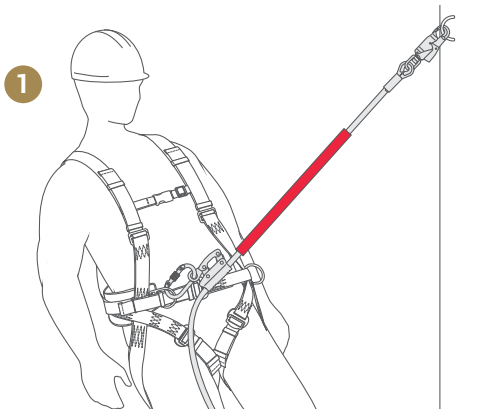


2 Wrap the rope around a structural element and attach connector with rope adjuster to left attachment buckle on work positioning belt (or to the right for a left-handed user).

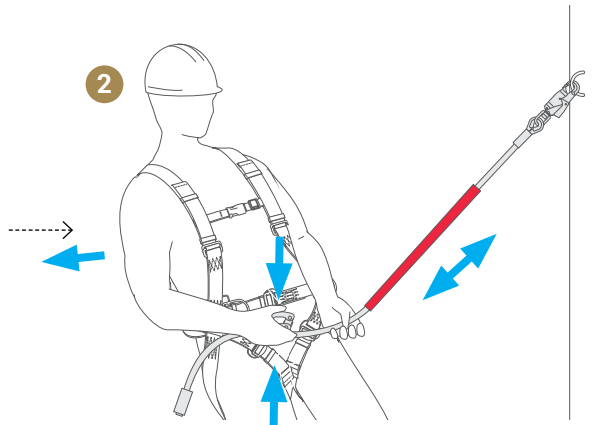


Secure connector access lock by locking gear

3 Using rope adjuster, adjust the rope length and tensioning to provide stable working position and limit the user's free fall distance. Free fall distance should not be greater than 0.6m.



1 Attach connector to anchor point located above the belt.



2 Using rope adjuster, adjust the rope length and tensioning to provide stable working position and limit the user's free fall distance. Free fall distance should not be greater than 0.6m.

PROT 6

Work positioning device

EN 358

CE



PARAMETERS

Kernmantle rope:	polyester twisted rope Ø 16mm dia
Adjuster:	aluminium alloy
Protective tube:	coated fabric
Rope ends:	thimble

REF. NO.:	LENGTH
AF 106 020	2,0 m
AF 106 025	2,5 m
AF 106 030	3,0 m
AF 106 050	5,0 m
AF 106 100	10,0 m
AF 106 150	15,0 m
AF 106 200	20,0 m

PROT 10

Work positioning device

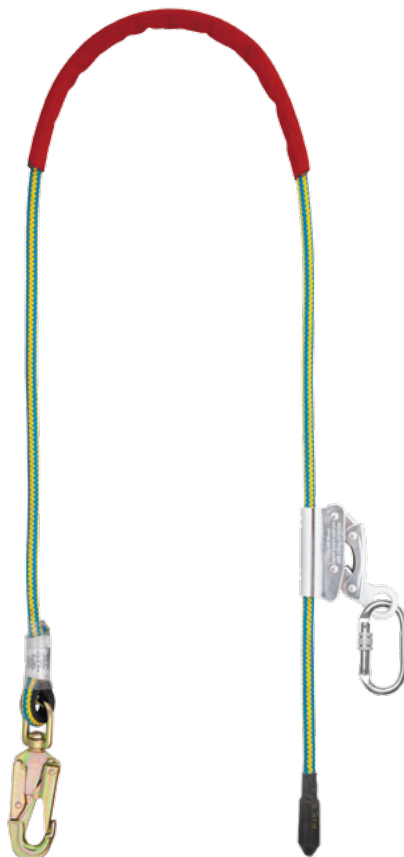
EN 358

CE



PRODUCT
PRESENTATION

protekt.co/prot10



Work positioning device PROT 10 comes with steel connectors AZ 060 (opening: 21mm) and AZ 011 (opening: 18mm).

PARAMETERS

Kernmantle rope:	polyester kernmantle steel cable, 16mm dia
Adjuster:	chrome-plated steel, connector AZ 011
Protective tube:	coated fabric
Rope ends:	strong aluminium crimps, connector AZ 060

REF. NO.:	LENGTH
AF 150 200	2,0 m
AF 150 300	3,0 m
AF 150 400	4,0 m
AF 150 500	5,0 m

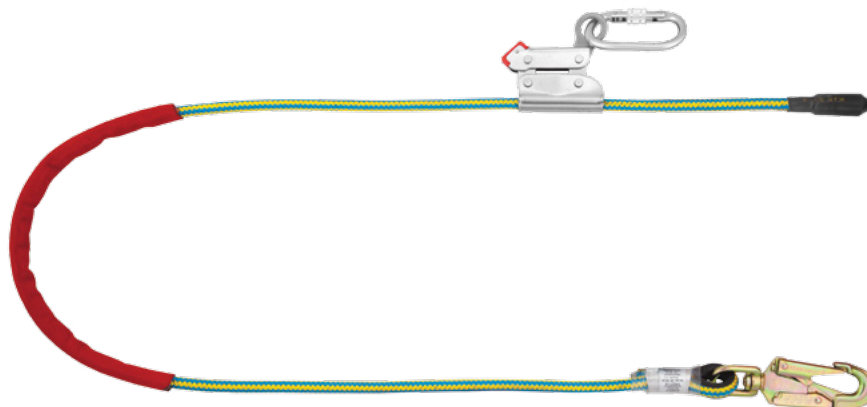
PROT 10S

Work positioning device

EN 358



PROT 10S for work positioning complying with EN 358 with connectors AZ 060 (opening: 21mm) and AZ 011 (opening: 18mm). PROT 10S is fitted with stainless steel adjuster.



PARAMETERS

Kernmantle rope:	polyester kernmantle steel cable, 16mm dia
Adjuster:	stainless steel, connector AZ 011
Protective tube:	coated fabric
Rope ends:	strong aluminium crimps, connector AZ 060

REF. NO.:	LENGTH
AF 151 200	2,0 m
AF 151 300	3,0 m
AF 151 400	4,0 m
AF 151 500	5,0 m

PROT 11

Work positioning device

EN 358



PRODUCT PRESENTATION

protekt.co/prot11



Work positioning device PROT 11 comes with steel connectors AZ 002 (opening: 19mm) and AZ 011 (opening: 18mm).

PARAMETERS

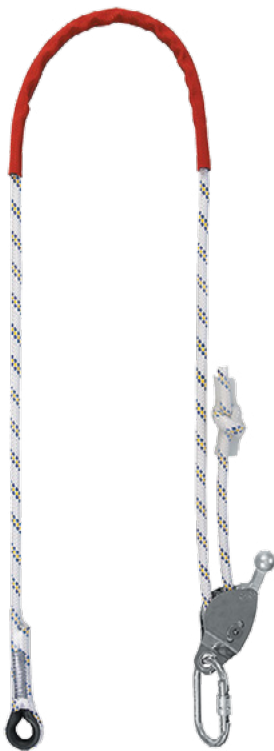
Kernmantle rope:	kernmantle polyester rope Ø 12mm dia
Adjuster:	nickel-plated steel, connector AZ 011
Protective tube:	coated fabric
Rope ends:	free end, thimble with connector AZ 002

REF. NO.:	LENGTH
AF 101 020	2,0 m
AF 101 025	2,5 m
AF 101 030	3,0 m
AF 101 050	5,0 m
AF 101 100	10,0 m
AF 101 150	15,0 m
AF 101 200	20,0 m

PROT 22

Work positioning device

EN 358



Work positioning device PROT 22 comes with steel connectors AZ 002 (opening: 19mm) and AZ 011 (opening: 18mm).

PARAMETERS

Kernmantle rope:	kernmantle polyester rope Ø 12mm dia
Adjuster:	stainless steel, connector AZ 011
Protective tube:	coated fabric
Rope ends:	free end, thimble with connector AZ 002

REF. NO.:	LENGTH
AF 222 020	2,0 m
AF 222 025	2,5 m
AF 222 030	3,0 m
AF 222 050	5,0 m
AF 222 100	10,0 m
AF 222 150	15,0 m
AF 222 200	20,0 m

PROT 220FLR

Work positioning device

EN 358
EN362
EN 358

New work positioning device PROT 220FLR fitted with aramid rope resistant to high temperature provided with protective leather sheath.

PARAMETERS

Rope:	aramid
Manufacture:	aramid braided core
The diameter of the rope:	11,5 mm
Adjustment:	stainless steel, snap hook az011
Rope end:	free ending, a latched eye with AZ 002 snap hook
Rope protective sheath:	leather 50 cm
Meets the standards:	EN 358:1999 EN 362:2004 EN 358 P.4.1.5

REF. NO.:	LENGTH
AF 222 020	2,0 m
AF 222 025	2,5 m
AF 222 030	3,0 m
AF 222 050	5,0 m
AF 222 100	10,0 m
AF 222 150	15,0 m
AF 222 200	20,0 m



PROT 30

Work positioning device

EN 358

CE



Work positioning device PROT 30 comes with steel connectors AZ 060 (opening: 21mm) and AZ 011 (opening: 18mm).

PARAMETERS

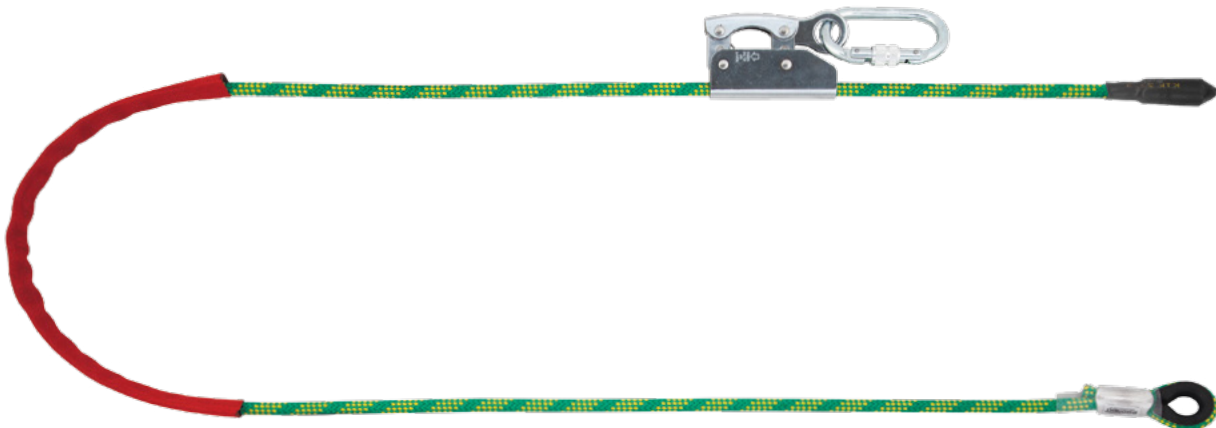
		REF. NO.:	LENGTH
Kernmantle rope:	polyester kernmantle steel cable, 16mm dia	AF 160 200	2,0 m
Adjuster:	light alloys, connector AZ 011	AF 160 300	3,0 m
Protective tube:	coated fabric	AF 160 400	4,0 m
Rope ends:	strong aluminium crimps, connector AZ 060	AF 160 500	5,0 m

PROT 40

Work positioning device

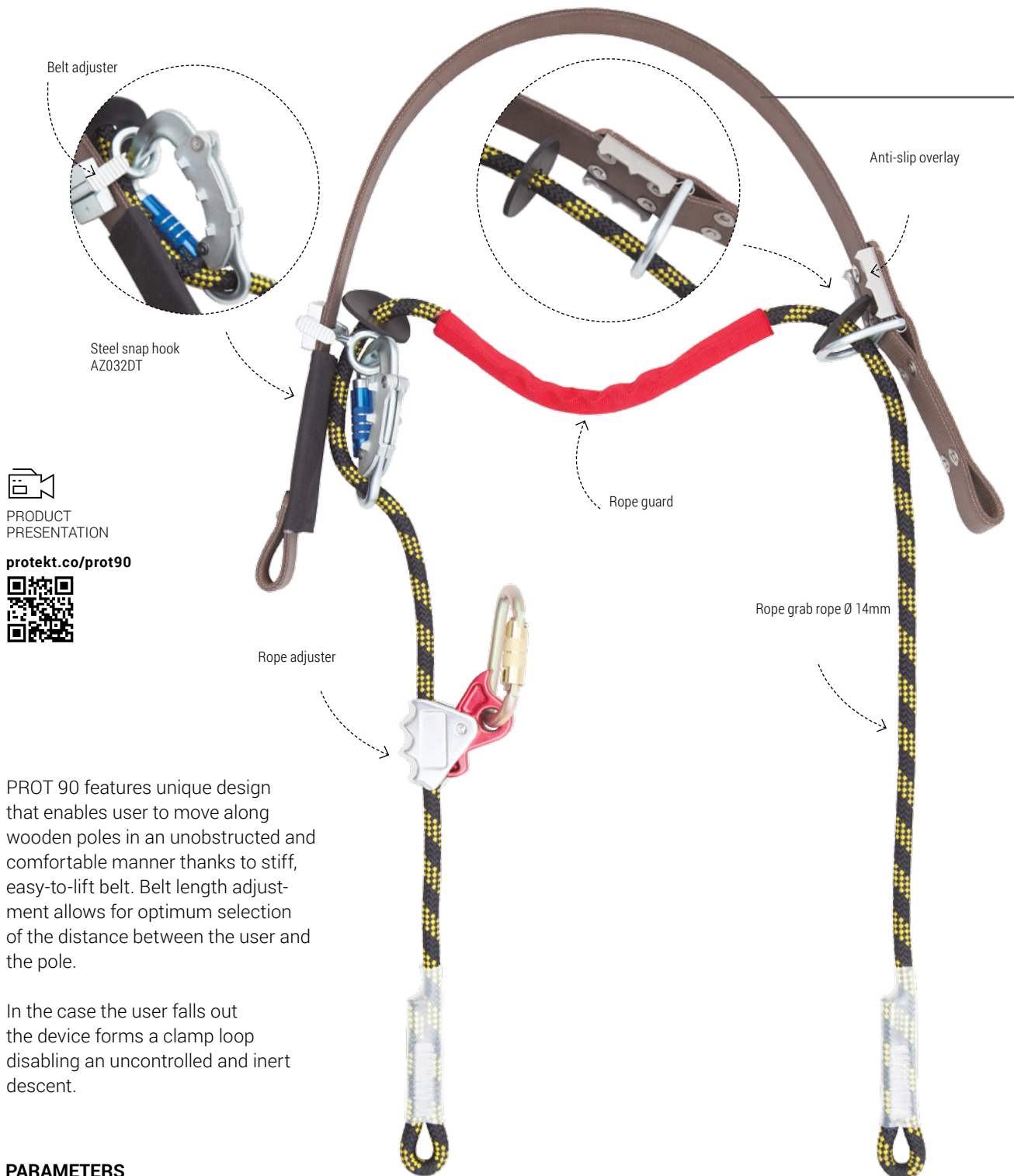
EN 358

CE



PARAMETERS

		REF. NO.:	LENGTH
Kernmantle rope:	polyester kernmantle steel cable, 11,4 mm dia	AF 140 200	2,0 m
Adjuster:	chrome-plated steel, connector AZ 011	AF 140 300	3,0 m
Protective tube:	coated fabric	AF 140 400	4,0 m
Rope ends:	strong aluminium crimps	AF 140 500	5,0 m



PROT 90 features unique design that enables user to move along wooden poles in an unobstructed and comfortable manner thanks to stiff, easy-to-lift belt. Belt length adjustment allows for optimum selection of the distance between the user and the pole.

In the case the user falls out the device forms a clamp loop disabling an uncontrolled and inert descent.

PARAMETERS

Rope grab rope	polyester rope Ø 14mm dia
Rope grab rope length	2,0 m
Belt adjuster:	galvanized steel
Protective tube:	coated fabric
Flat anti-slip strip:	width 44mm, thickness 6mm, length 1.0m

REF. NO.:

AF 190

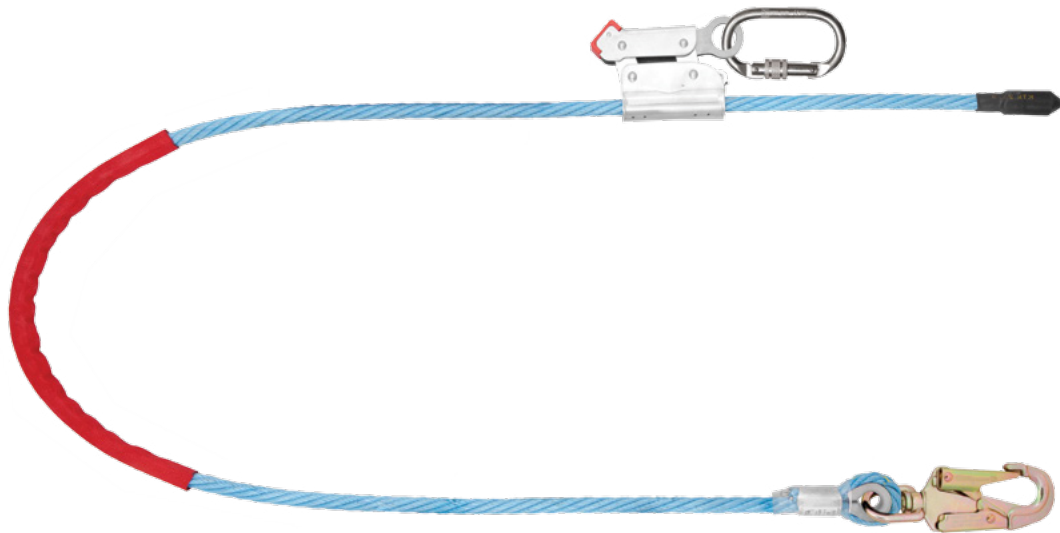


PROT 70

Work positioning device

EN 358

CE



PARAMETERS

		REF. NO.:	LENGTH
Kernmantle rope:	polypropylene kernmantle twisted steel cable, Ø 16mm dia	AF 170 200	2,0 m
Adjuster:	stainless steel, connector AZ 011	AF 170 300	3,0 m
Protective tube:	coated fabric	AF 170 400	4,0 m
Rope ends:	aluminium crimps, thimble with connector AZ 060	AF 170 500	5,0 m

TU 010

Work positioning device

EN 358

CE



PARAMETERS

Kernmantle rope:	polyester kernmantle steel cable, 11.4mm dia
Rope ends:	strong aluminium crimps
Protective tube:	coated fabric

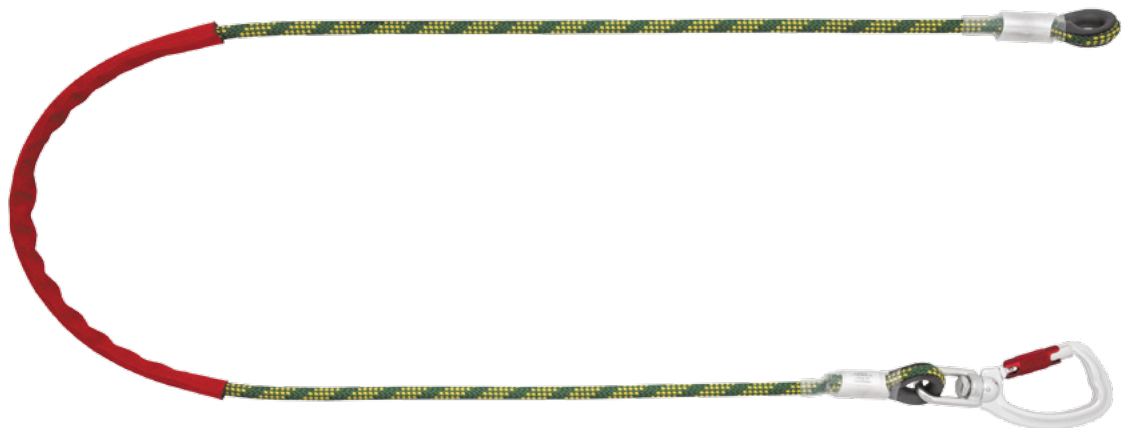
REF. NO.:	LENGTH
TU 010 20	2,0 m
TU 010 30	3,0 m
TU 010 40	4,0 m
TU 010 50	5,0 m

TU 011

Work positioning device

EN 358

CE



PARAMETERS

Kernmantle rope:	polyester kernmantle steel cable, 11.4mm dia
Rope ends:	strong aluminium crimps, one end with aluminium connector AZ032DT with triple locking gear equipped with swivel shackle
Protective tube:	coated fabric

REF. NO.:	LENGTH
TU 011 20	2,0 m
TU 011 30	3,0 m
TU 011 40	4,0 m
TU 011 50	5,0 m

AF 500

Work positioning webbing lanyard

EN 358

CE



PRODUCT
PRESENTATION

protekt.co/af500



SPECIAL FEATURES



PERMITTED TO WORK IN
POTENTIALLY EXPLOSIVE AREAS

Work positioning webbing lanyard
with adjustable length, max. length 2m.

PARAMETERS

Webbing width: 30 mm

REF. NO.:

AF 500 without connectors

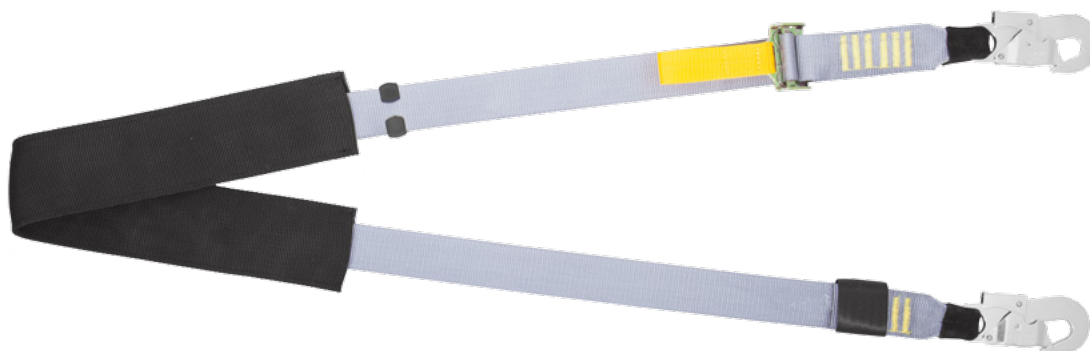
AF 500 with two connectors AZ 011

AF 600, AF 610

Work positioning webbing lanyard

EN 358

CE



Work positioning webbing lanyard with adjustable length,
max. length 300cm.

AF 600 - STEEL BUCKLE

AF 600 without connectors

AF 600 with two connectors AZ 002

PARAMETERS

Webbing width: 45 mm

AF 610 - ALUMINIUM BUCKLE

AF 610 without connectors

AF 610 with two connectors AZ 002






Pole climbers and tree climbing spikes

Pole climbers	11 - 2
Spare parts for pole climbers	11 - 7
Tree climbing spikes	11 - 8
Spare parts for tree climbing spikes	11 - 11

SP 101, SP 102

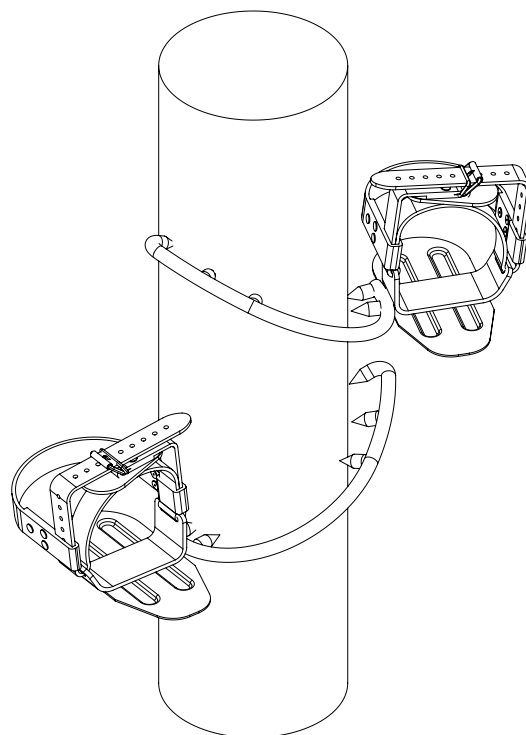
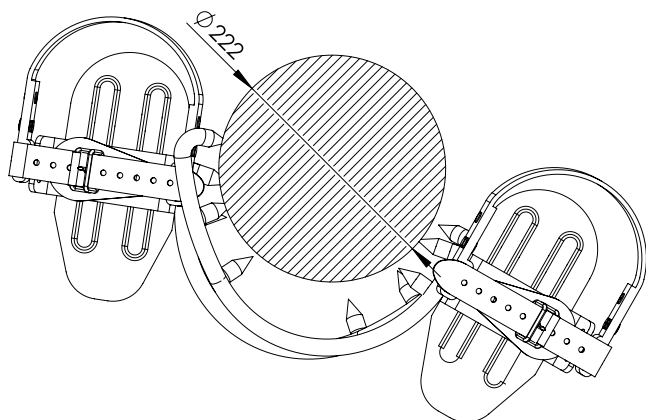
Pole climbers for wooden poles D-20 and D-30

PN-E-55000

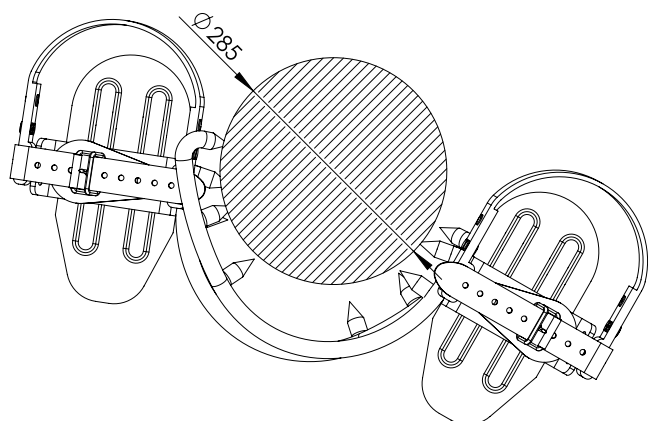
 The construction of pole climbers complies with the guidelines PGE-2017



SP 101



SP 102



PARAMETERS

Manufacture: frame - powder-coated steel
straps - waterproof coated fabric

REF. NO.		PAIR WEIGHT
SP 101	for wooden poles D-20	3,0 kg
SP 102	for wooden poles D-30	3,2 kg

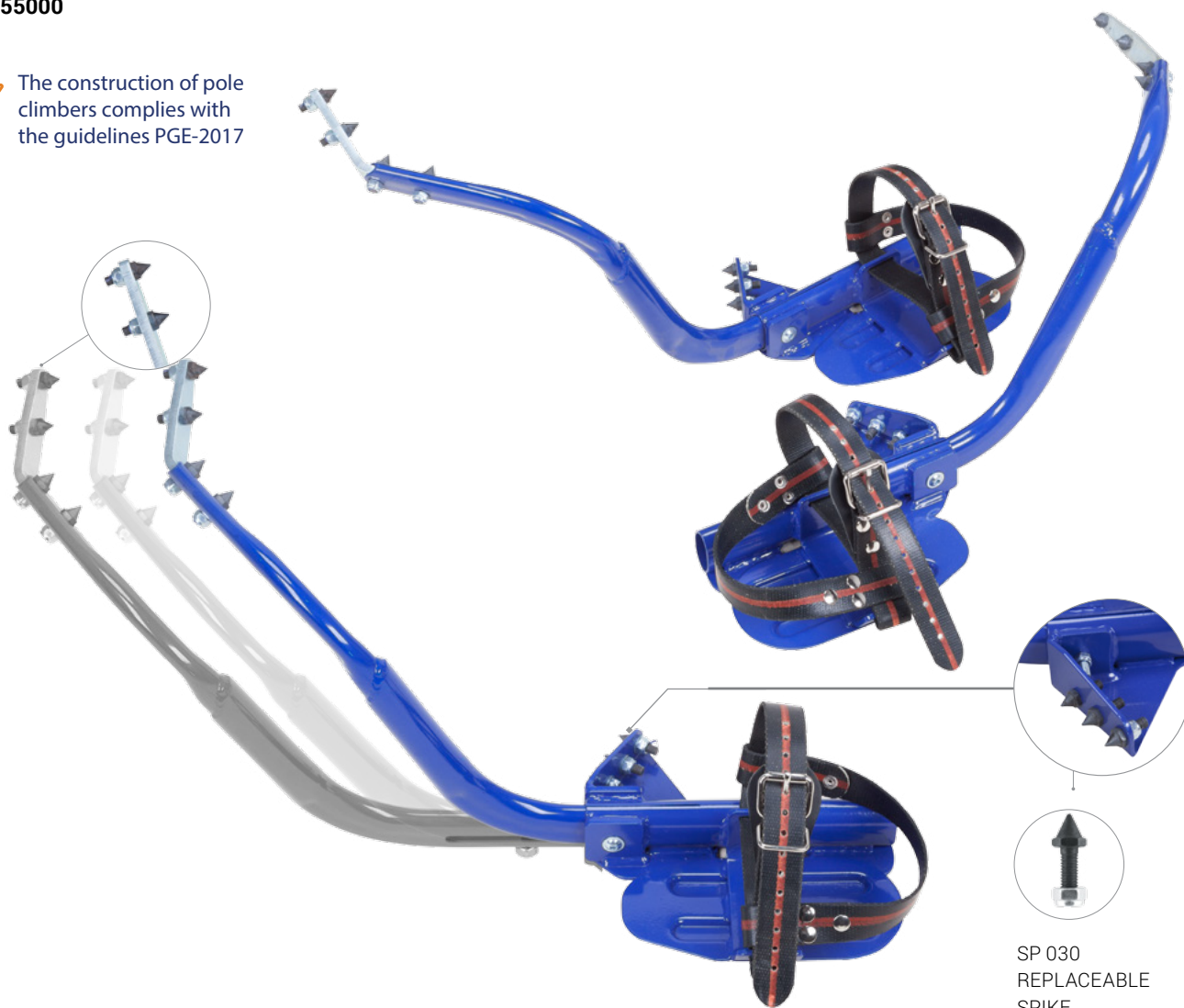
SP 103

Pole climbers for wooden poles type D with adjustment

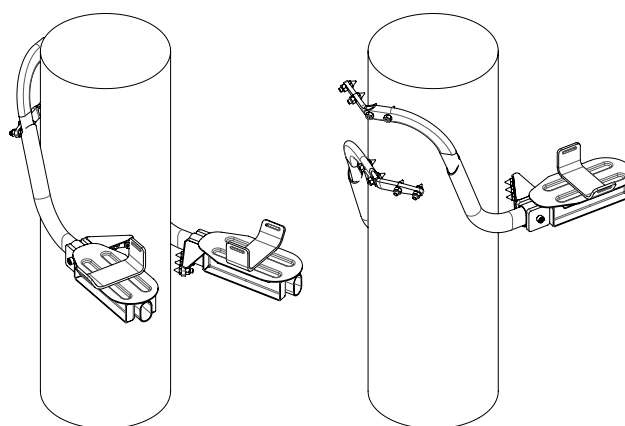
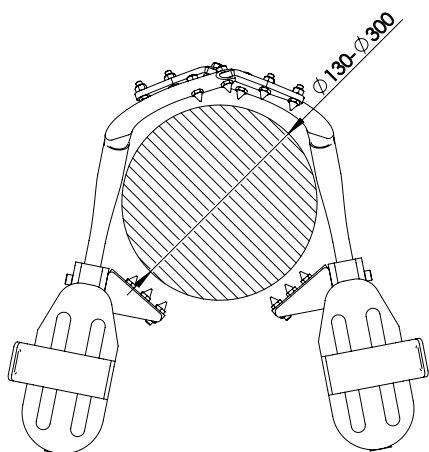
PN-E-55000



The construction of pole climbers complies with the guidelines PGE-2017



SP 030
REPLACEABLE
SPIKE



PARAMETERS

Manufacture: frame - powder-coated steel
straps - waterproof coated fabric


REF. NO.	PAIR WEIGHT
SP 103	6,30 kg

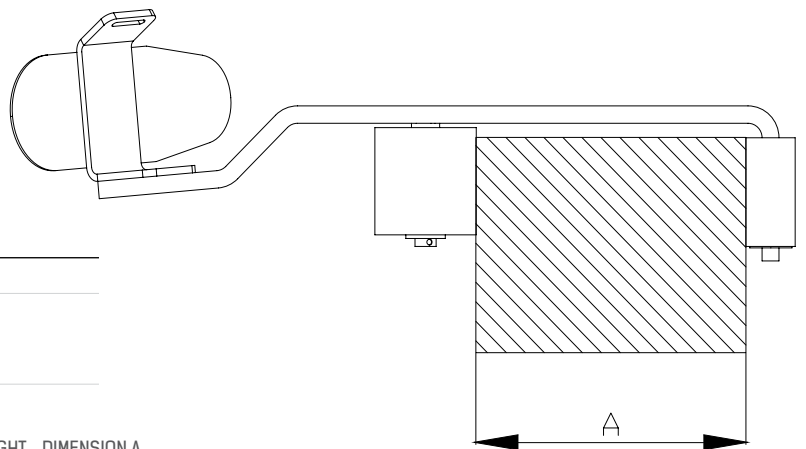
Pole climbers for wooden poles type D with variable adjustment are suitable for use on wooden poles sized 130–300mm. The device is fitted with replaceable hardened steel spikes.

SP 203, SP 204, SP 205

Pole climbers
for reinforced-concrete poles B10, B20 and B40

PN-E-55000

 The construction of pole climbers complies with the guidelines PGE-2017



PARAMETERS

Manufacture: frame – powder-coated steel
straps – waterproof coated fabric
rollers – rubber

REF. NO.		PAIR WEIGHT	DIMENSION A
SP 203	for reinforced-concrete poles B10	5,0 kg	max. 185 mm
SP 204	for reinforced-concrete poles B20	5,1 kg	max. 225 mm
SP 205	for reinforced-concrete poles B40	5,2 kg	max 257 mm



SP 401

Pole climbers for spun poles

PN-E-55000



The construction of pole climbers complies with the guidelines PGE-2017

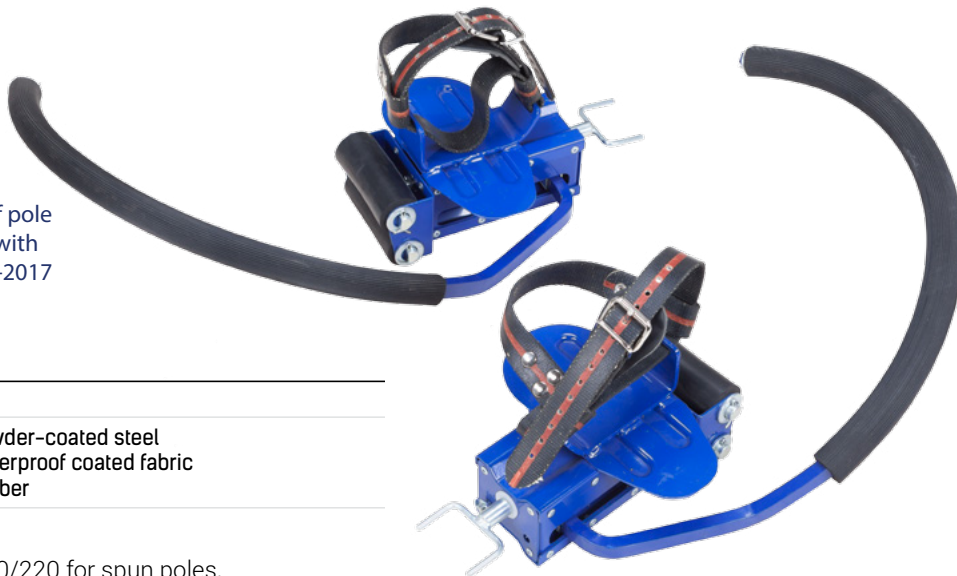
PARAMETERS

Manufacture: frame – powder-coated steel
straps – waterproof coated fabric
rollers – rubber

Pole climbers type B0r-340/220 for spun poles, 220–340mm dia.

Suitable for pole types:
E10,5/2,5; E10,5/4,3; E10,5/10; E10,5/12; E12/2,5; E12/4,3;
E13,5/2,5; E13,5/4,3; E15/2,5; E15/4,3 and adequate EPV poles.

REF. NO.	PAIR WEIGHT
SP 401	7,60 kg



SP 402

Pole climbers for spun poles

PN-E-55000



The construction of pole climbers complies with the guidelines PGE-2017

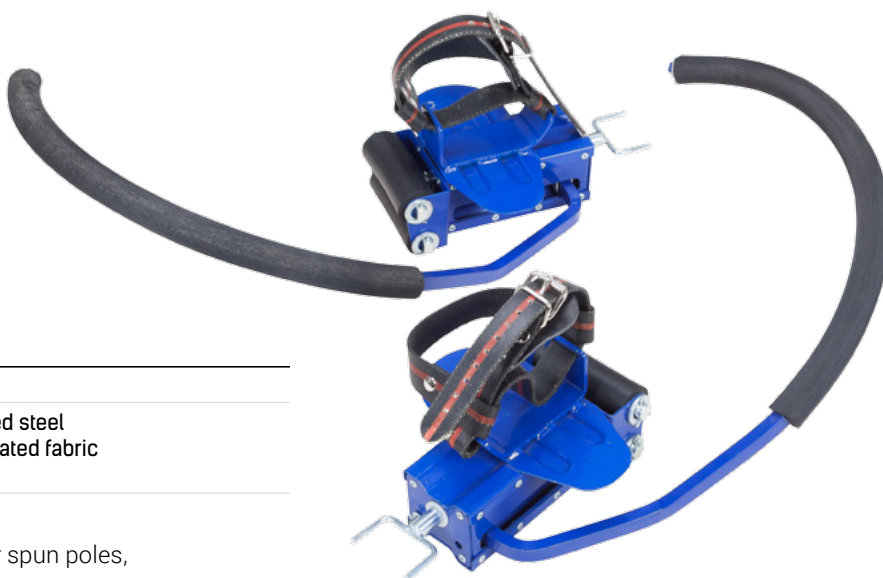
PARAMETERS

Manufacture: frame – powder-coated steel
straps – waterproof coated fabric
rollers – rubber

Pole climbers type B0r-400/280 for spun poles, 280-400mm dia.

Suitable for pole types:
E12/10; E12/12; E13,5/10; E13,5/12; E15/10; E15/12
and adequate EPV poles.

REF. NO.	PAIR WEIGHT
SP 402	8,00 kg



Spare parts for pole climbers

REF. NO.	SP 101 SP 102	SP 103	SP 203 SP 204 SP 205	SP 401 SP 402
----------	------------------	--------	----------------------------	------------------



SP 011

Roller, small
1 pce

SP011

•

•



SP 012

Roller, large
1 pce

SP012

•



SP 021

Strap for pole climbers
1 pce

SP021

•

•

•

•



SP 030

Spike, long
2 pcs

SP030

•



Transport backpack (color to choose)

Parameters



Color variants



DR 100 01



DR 100 02



DR 100 03



DR 100 04



Color to choose



AX DR100 INCLUDED WITH CLIMBING IRONS

BACKPACK FOR TRANSPORT CLIMBING IRONS

Accessories

COLOR OF ACCESSORIES IS COMPATIBLE WITH THE CLIMBING IRONS VARIANTS NUMBER

DR 1001

INTERCHANGEABLE
TOP TEXTILE STRAPS



DR 1003

REMOVABLE PADS
COVERING THE CALF



DR 1002

INTERCHANGEABLE
BOTTOM TEXTILE STRAPS



DR 1004

SPIKE
PROTECTION GUARDS



DR 1

Steel climbing spikes

DR 2

Steel climbing spikes



Steel climbing spikes with soft calf padding. Comes with two replaceable heat-hardened steel spikes (short and long).

Steel climbing spikes with adjustable soft calf padding height and replaceable heat-hardened steel spike.

PARAMETERS

Manufacture: frame – powder-coated steel
 straps – waterproof coated fabric
 padding – leather and felt

REF. NO.:	PAIR WEIGHT
SP 501	3,75 kg

PARAMETERS

Manufacture: frame – powder-coated steel
 straps – waterproof coated fabric
 padding – leather and felt

REF. NO.:	PAIR WEIGHT
SP 505	3,80 kg

DR 2A Aluminium climbing spike



Aluminium climbing spikes with adjustable calf padding height. Comes with two replaceable heat-hardened steel spikes (short and long).

PARAMETERS

Manufacture: frame - aluminium
straps - waterproof coated fabric
padding - leather and felt

REF. NO.:	PAIR WEIGHT
SP 502	2,56 kg

DR 3 Steel climbing spikes



Steel climbing spikes with adjustable calf padding height (additionally the padding is fitted with leg stabilising plate and replaceable heat-hardened steel spike).

PARAMETERS

Manufacture: frame - powder-coated steel
straps - waterproof coated fabric
padding - leather and felt

REF. NO.:	PAIR WEIGHT
SP 506	3,85 kg

DR 3A Aluminium climbing spike



Aluminium climbing spikes with adjustable calf padding height, additionally the padding is fitted with leg stabilising plate, pivotally connected to bow element. Comes with two replaceable heat-hardened steel spikes (short and long).

PARAMETERS

Manufacture: frame - aluminium
straps - waterproof coated fabric
padding - leather and felt

REF. NO.:	PAIR WEIGHT
SP 503	2,76 kg

DR 4 Steel climbing spikes


















Steel climbing spikes with soft calf padding. Comes with two replaceable heat-hardened steel spikes (short and long).

PARAMETERS

Manufacture: frame - powder-coated steel
straps - waterproof coated fabric
padding - leather and felt

REF. NO.:	PAIR WEIGHT
SP 504	4,80 kg

Spare parts for tree climbing spikes

	REF. NO.:	DR 1	DR 2	DR 2A	DR 3	DR 3A	DR 4
	SP 051 Spike, short - kit	SP051			•		•
	SP 052 Spike, long - kit	SP052			•		•
	SP 053 Spike, short - kit	SP053	•	•		•	•
	SP 054 Spike, long - kit	SP054	•	•		•	•
	SP 060 Lower strap assembly	SP060	•	•	•	•	•
	SP 061 Strap, long	SP061	•	•	•	•	•
	SP 062 Lower mounting strap, long	SP062	•	•	•	•	•
	SP 063 Lower mounting strap, short	SP063	•	•	•	•	•
	SP 064 Attachment ring	SP064	•	•	•	•	•
	SP 065 Spike covers	SP065	•	•	•	•	•
	SP 070 Stiffened calf padding	SP070				•	•
	SP 071 Padding, left	SP071	•	•	•		
	SP 072 Padding, right	SP072	•	•	•		
	SP 073 Padding reinforcement	SP073				•	•
	SP 080 Sleeve	SP080		•	•	•	•



PARAMETERS

Dimensions: 470 x 320 x 160 mm

Material: reinforced PVC

REF. NO.:

AX 023

A grayscale photograph of a worker on a flat roof. The worker is wearing a safety harness and is pulling on a rope that is anchored to a metal device on the roof. The background shows several skylights and a cloudy sky.

Anchor points and devices

Anchor points	12 - 2
Anchor devices	12 - 30
Horizontal anchor lanyards and lines	12 - 53
Webbing slings and portable anchor points	12 - 61
Anchor systems and devices	12 - 68

EN795 TYPE A

Ref. no.: PROTON 1



Anchor post PROTON 1 can be installed on roofs, terraces, platforms and beams. It is fitted with a three-hole plate enabling connection of personal fall protection equipment. The device complies with EN 795 type A.

Comes with 4x mechanical anchors.

PARAMETERS

Height variant:	20 cm, 30 cm, 40 cm
Material:	hot-dip galvanized steel
Maximum strength	28 kN

SPECIAL FEATURES

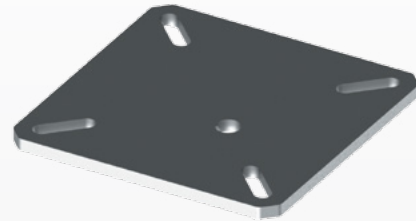


Protection for up to 3 people.

REF. NO.:	HEIGHT
PROTON 1 200	200 mm
PROTON 1 300	300 mm
PROTON 1 400	400 mm

Mounting kit with retaining plate

HL 705 / Post retaining plate



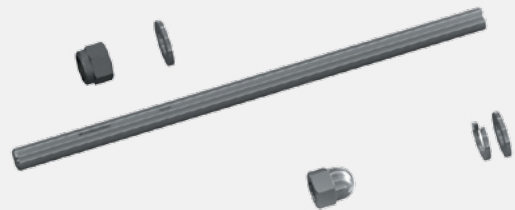
PARAMETERS

Material:	hot-dip galvanized steel
Plate base dimensions:	23 x 23 cm
Mounting hole spacing:	140 - 180 mm

REF. NO.:

HL 705

HL 910 / Mounting kit



PARAMETERS

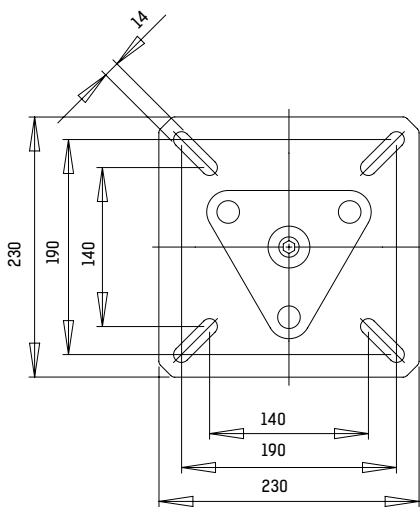
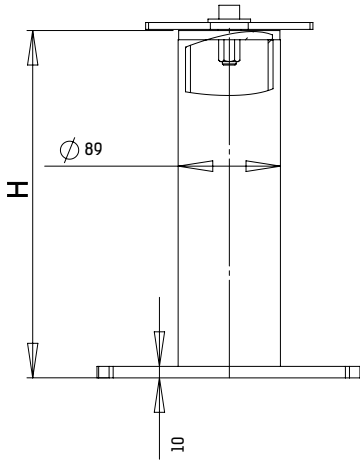
Material:	stainless steel
-----------	-----------------

REF. NO.:	LENGTH	QUANTITY
HL 910 125	125 mm	kit 4 pcs
HL 910 250	250 mm	kit 4 pcs
HL 910 500	500 mm	kit 4 pcs
HL 910 1000	1000 mm	kit 4 pcs

Example installation of post PROTON 1

PROTON 1 installed using retaining plate and mounting kit (HL 705 + HL 910).

DIMENSIONS



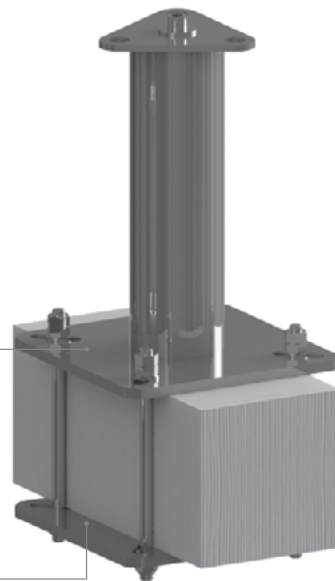
HL 910
mounting kit



HL 705
post retaining plate

HL 910
mounting kit

HL 705
post retaining plate

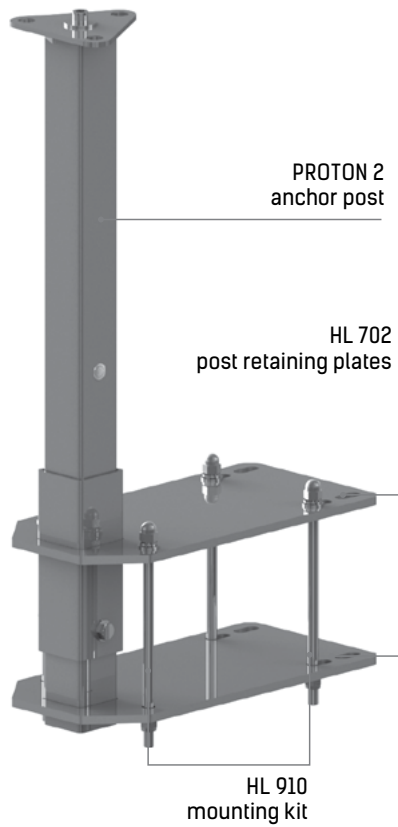


PROTON 2

Anchor point

EN795 TYPE A

Ref. no.: PROTON 2



Anchor post PROTON 2 can be installed on roofs, terraces, platforms and beams. It is fitted with a three-hole plate enabling connection of personal fall protection equipment. The device complies with EN 795 type A.

PARAMETERS

Height variants:	50 cm, 80 cm, 110 cm, 140 cm
Material:	hot-dip galvanized steel
Maximum strength:	28 kN

SPECIAL FEATURES



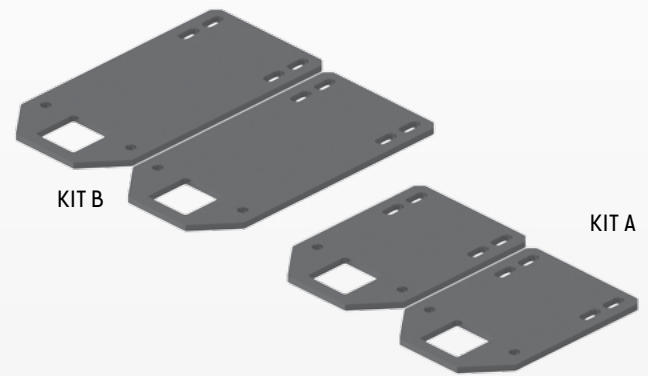
Protection for up to 3 people.



PERMITTED TO WORK IN POTENTIALLY EXPLOSIVE AREAS

Mounting kit with retaining plate

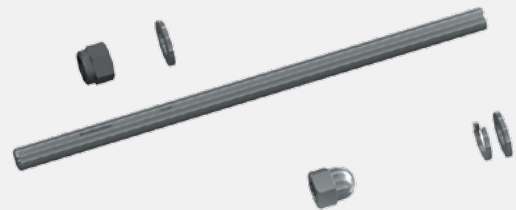
HL 702 / Two sizes of post retaining plates



PARAMETERS

Material: hot-dip galvanized steel

HL 910 / Mounting kit - 4 pcs kit



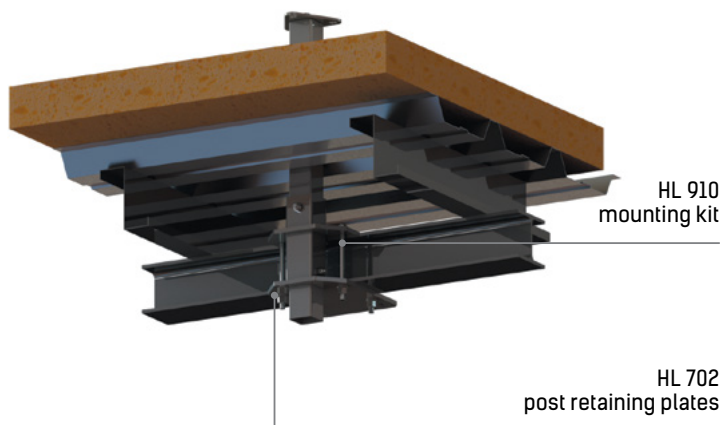
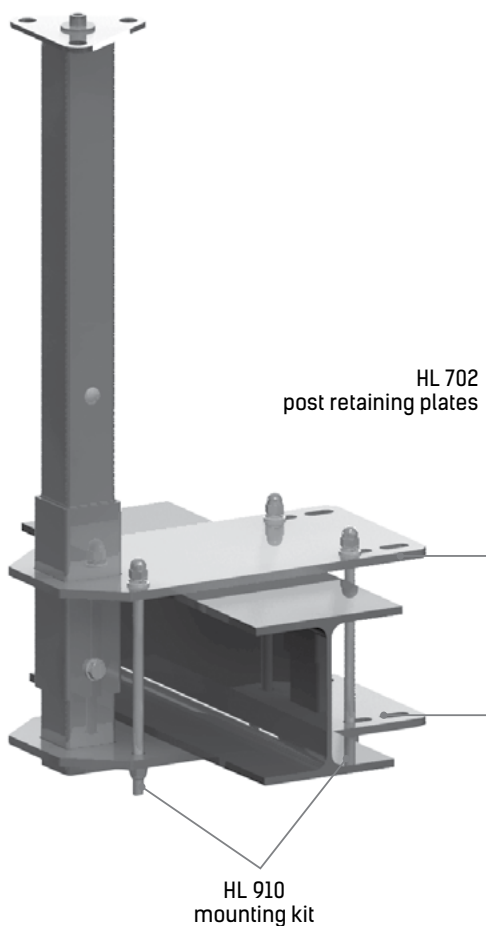
PARAMETERS

Material: stainless steel

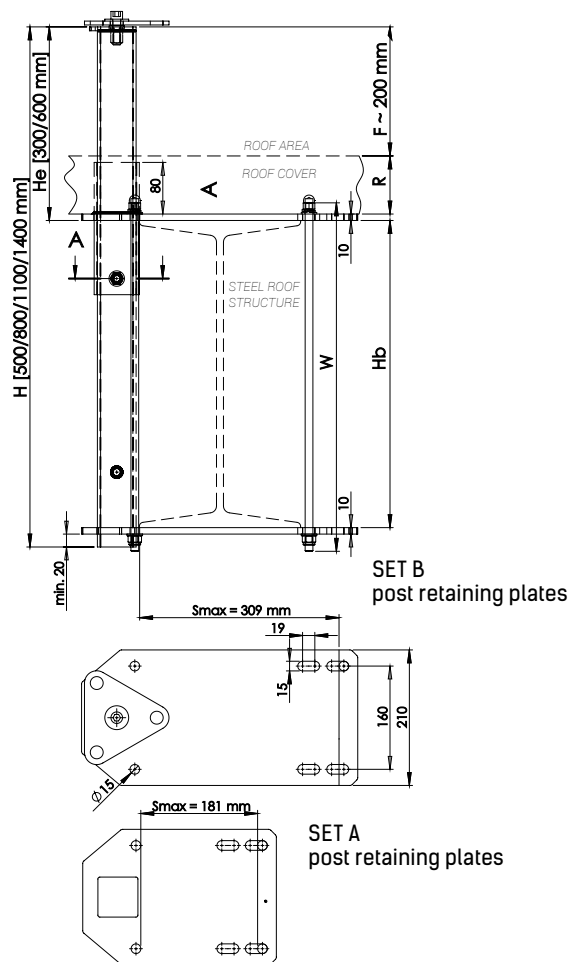
REF. NO.:	HEIGHT
PROTON 2 500	500 mm
PROTON 2 800	800 mm
PROTON 2 1100	1100 mm
PROTON 2 1400	1400 mm

Example installation of post PROTON 2

PROTON 2 installed using retaining plate and mounting kit (HL 702 + HL 910).



DIMENSIONS



H	He	Hb min	Hb max	W max	Hb max using mounting kit HL910
500	300	120	300	300	300
800	300		300	300	300
	600		600	600	600
1100	300		300	300	300
	600	600	600	600	
1400	300	300	300	300	
	600	600	600	600	

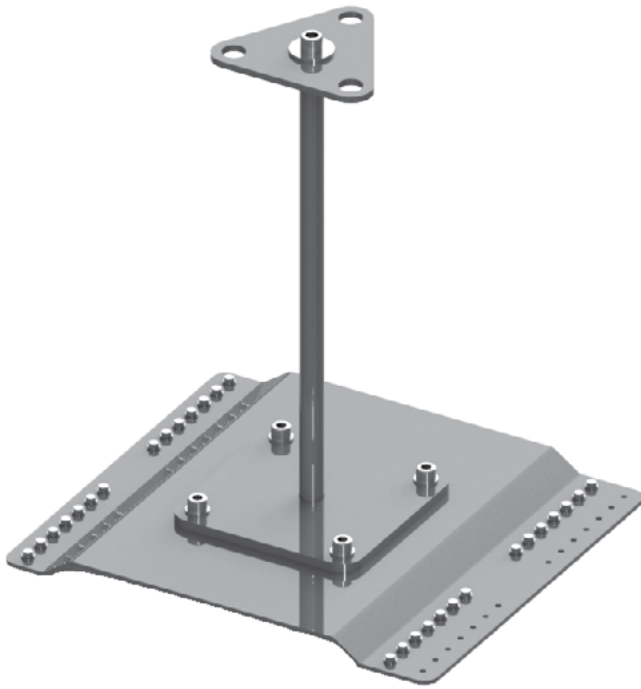
H - post height
 He - post height above roof steel structure
 Hb - roof steel structure height
 W - HL 910 mounting defined length
 R - roofing thickness
 F - recommended post height above roof surface

PROTON 4

Anchor point

EN795 TYPE A

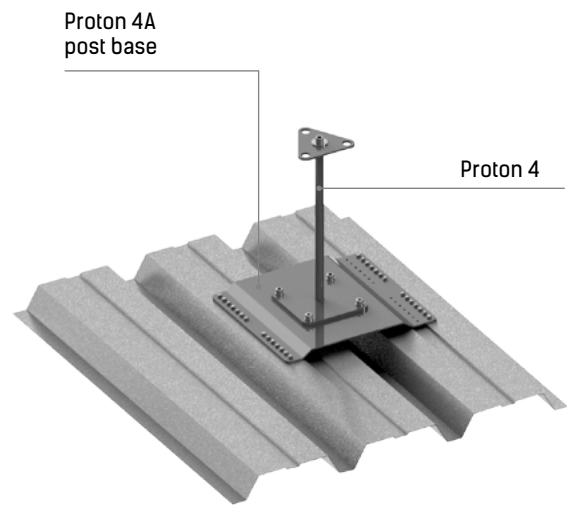
Ref. no.: PROTON 4



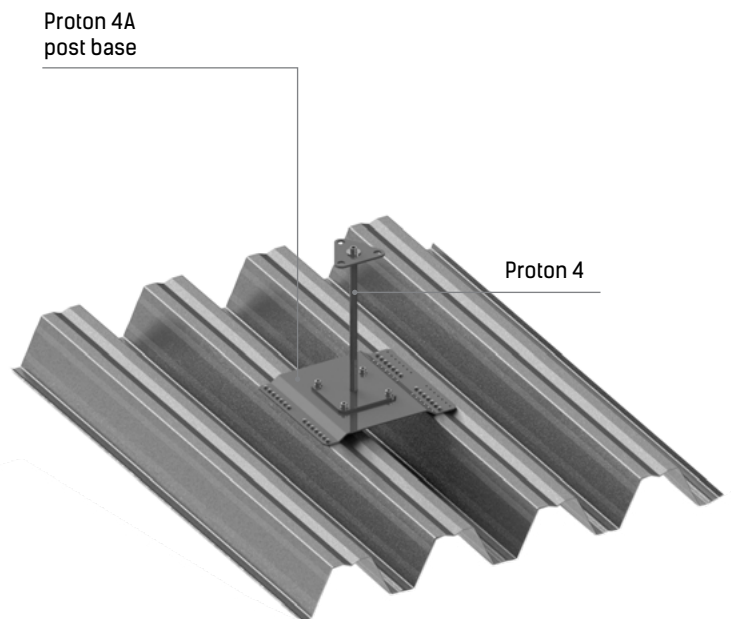
Example installation of post PROTON 4

PROTON 4 installed using screws to trapezoidal sheeting.

INSTALLATION



Proton 4 is an anchor device complying with EN 795 type A. It is an anchor point for personal fall protection equipment. Proton 4 is intended for mounting directly to trapezoidal steel sheet roofing, if the sheet is an outer cover, and also if covered with an insulation material. With various configurations of the post the product can be used for a wide range of metal sheets.



PARAMETERS

Height variants:	43 cm
Material:	stainless steel AISI 304
Minimum strength:	14 kN

SPECIAL FEATURES



Protection for up to 3 people.



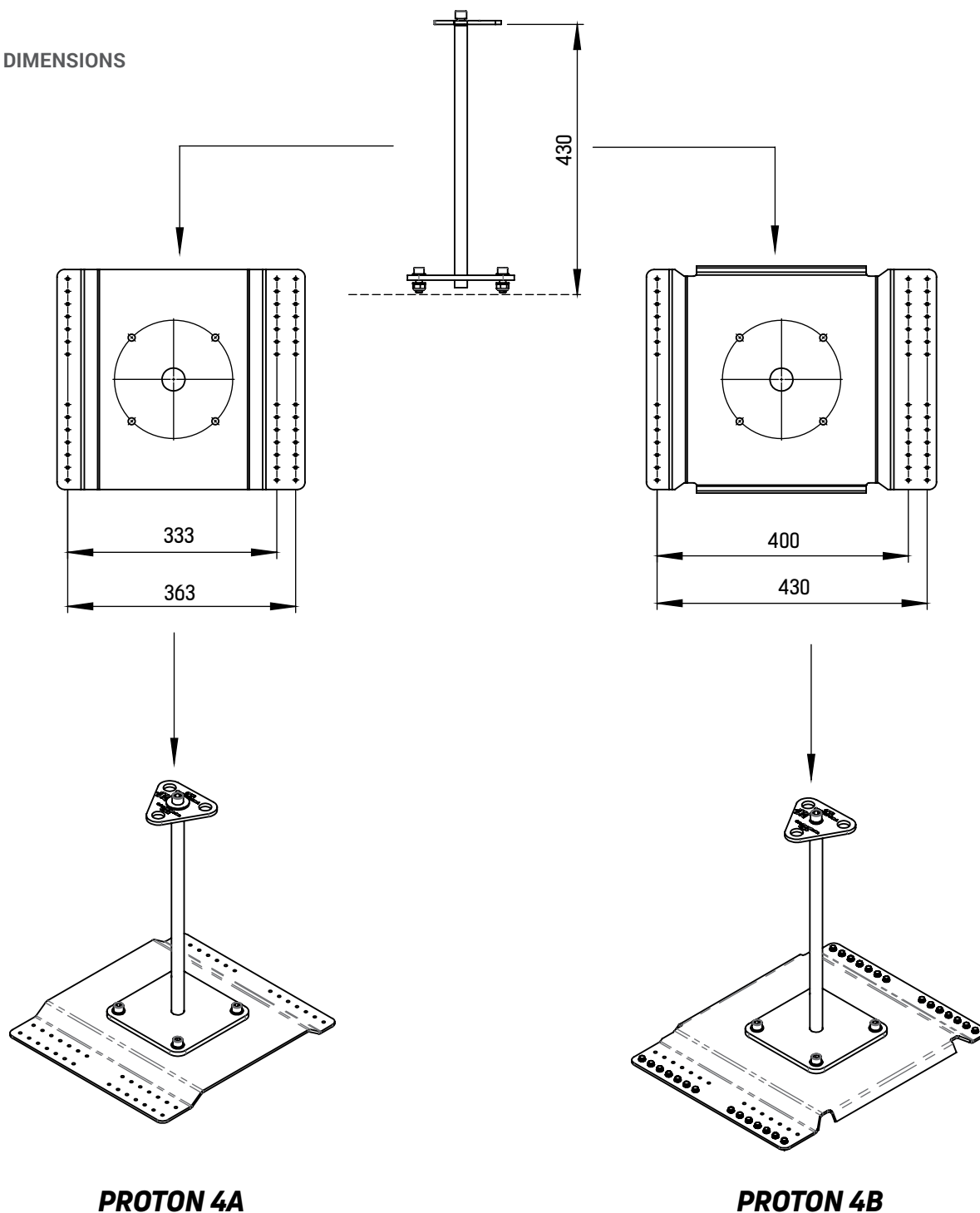
PERMITTED TO WORK IN POTENTIALLY EXPLOSIVE AREAS

REF. NO.:

PROTON 4

Dimensions and variants of post PROTON 4

 DIMENSIONS



PROTON 4A

PROTON 4B

EN795 TYP A

nr kat.: PROTON 5



Anchor post PROTON 5 can be installed on roofs, terraces, platforms and beams. It is equipped with a rotary plate with three holes enabling connection of personal fall protection equipment.

Comes with 4x mechanical anchors.

PARAMETERS

Height variants:	50 cm, 80 cm, 110 cm, 140 cm
Material:	hot-dip galvanized steel
Maximum strength:	28 kN

SPECIAL FEATURES



Protection for up to 3 people.

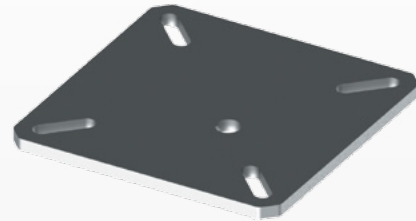


PERMITTED TO WORK IN POTENTIALLY EXPLOSIVE AREAS

REF. NO.:	HEIGHT
PROTON 5 500	500 mm
PROTON 5 800	800 mm
PROTON 5 1100	1100 mm
PROTON 5 1500	1500 mm

Mounting kit with retaining plate

HL 705 / Post retaining plate



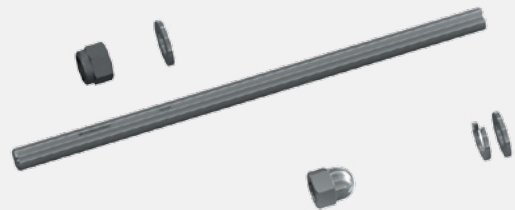
PARAMETERS

Material:	hot-dip galvanized steel
Plate base dimensions:	23 x 23 cm
Mounting hole spacing::	140 - 180 mm

NR KAT.:

HL 705

HL 910 / Mounting kit



PARAMETERS

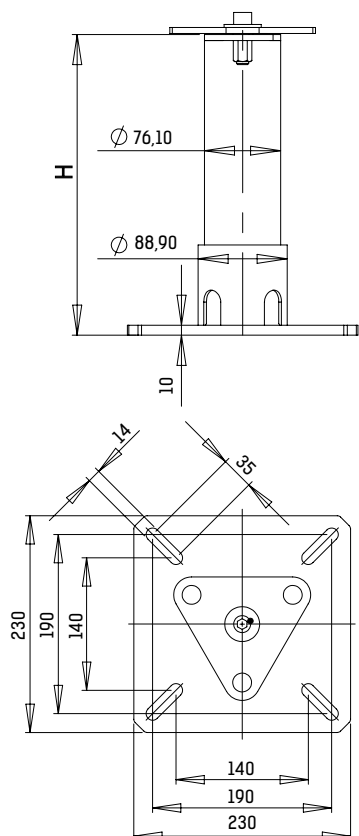
Material:	stainless steel
-----------	-----------------

REF. NO.:	HEIGHT	QUANTITY
HL 910 125	125 mm	4 pcs kit
HL 910 250	250 mm	4 pcs kit
HL 910 500	500 mm	4 pcs kit
HL 910 1000	1000 mm	4 pcs kit

Example installation of post PROTON 5

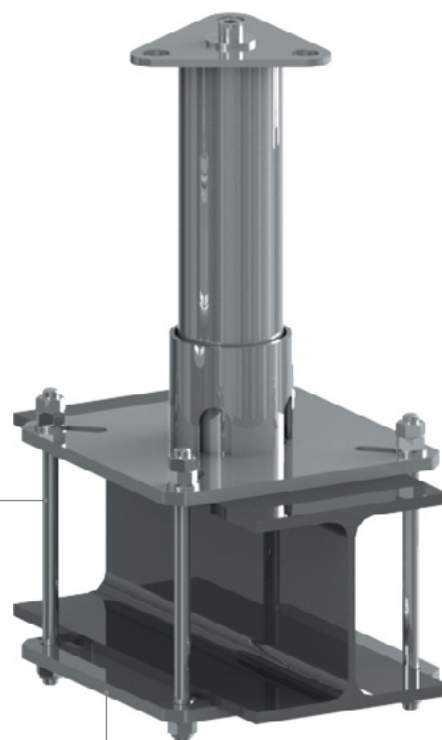
PROTON 5 installed using retaining plate and mounting kit (HL 705 + HL 910).

 DIMENSIONS



 INSTALLATION

HL 910
MOUNTING KIT

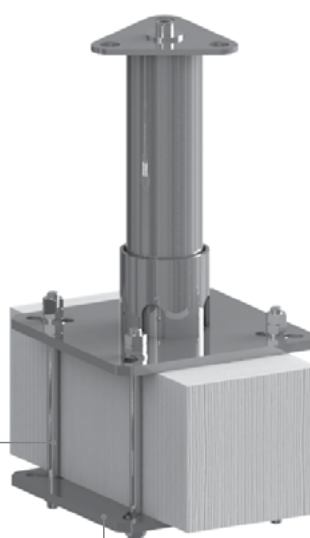


HL 705
POST RETAINING PLATE



HL 910
MOUNTING KIT

HL 705
POST RETAINING PLATE

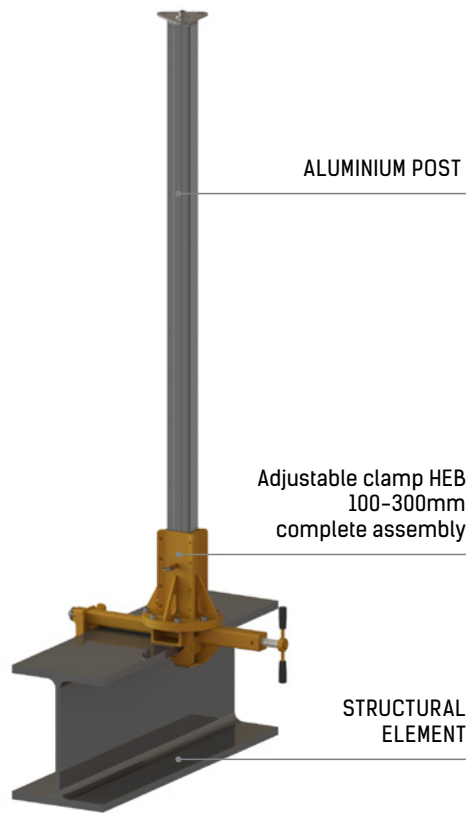


PROTON 6

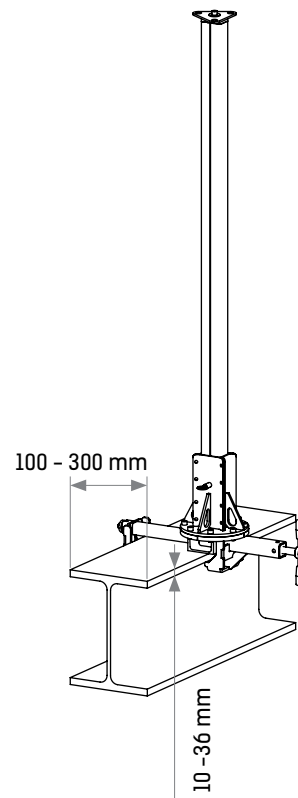
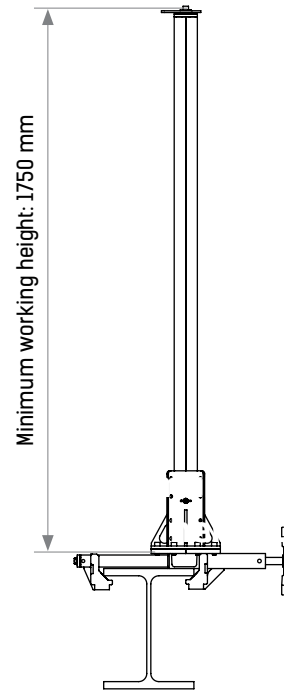
Anchor point

EN795 TYPE B

Ref. no.: PROTON 6



DIMENSIONS



Proton 6 is an anchor point for individual fall protection equipment. Proton 6 can be installed on HEB I-beams, 100mm to 300mm wide. The device is made of a strengthened aluminium alloy and stainless steel.

Two Proton 6 devices can be used as an anchor point for horizontal webbing AE 320.

PARAMETERS

Minimum working height:	min. 1,75 m
Material:	aluminium
Weight:	~15 kg
Maximum strength:	28 kN

SPECIAL FEATURES



Protection for up to 3 people.

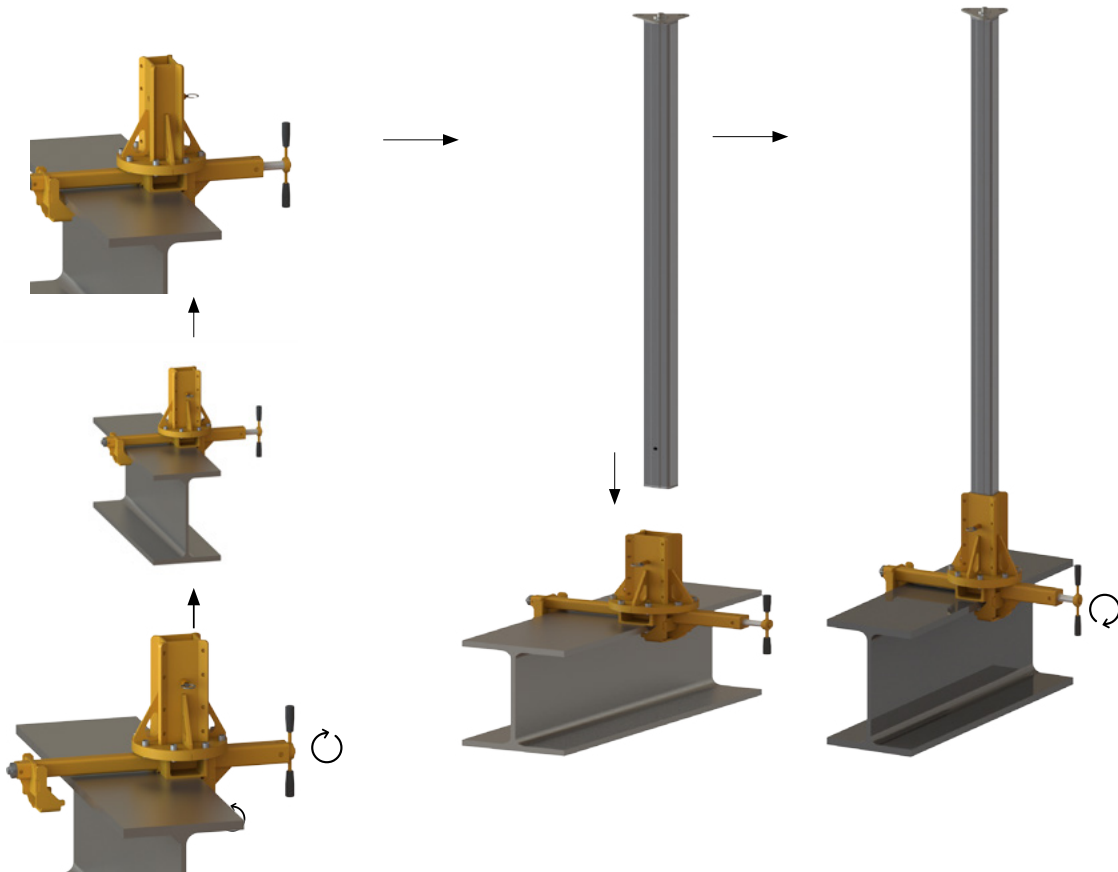
REF. NO.:

PROTON 6 (post + clamp kit)

Example installation of post PROTON 6

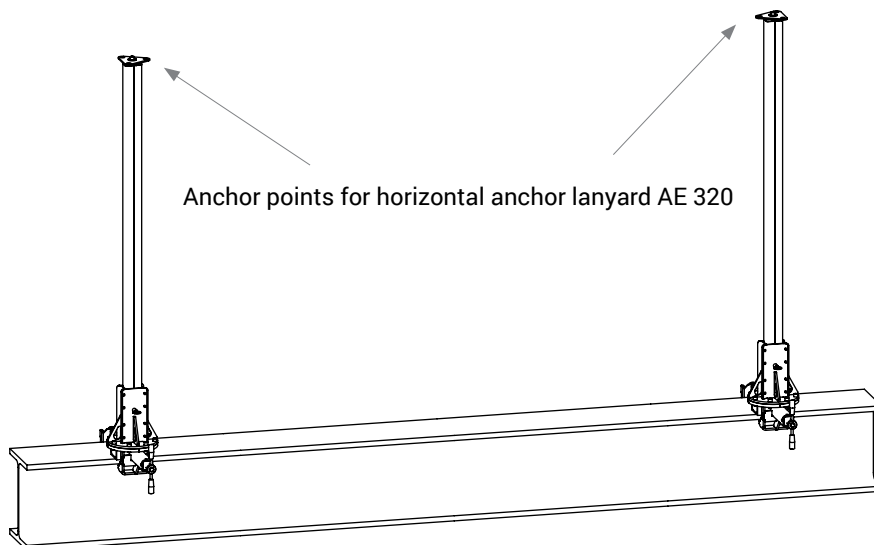
PROTON 6 mounted on HEB beam

INSTALLATION



EXAMPLE USE

Proton 6 as an anchor point for horizontal anchor lanyard AE 320



AT 150

Anchor point type A

EN795 TYPE A

Ref. no.: AT 150

AT 150



Anchor point is an anchor device mounted on a permanent structure.

SPECIAL FEATURES



Protection of
1 PERSON

PARAMETERS

Material:	aluminium
Dimensions:	135 x 64 x 62 mm
Weight:	0,31 kg
Static strength:	min. 12 kN



PS 150

Rubber pad PS 150 for anchor AT 150 to be used on uneven and porous concrete surfaces.

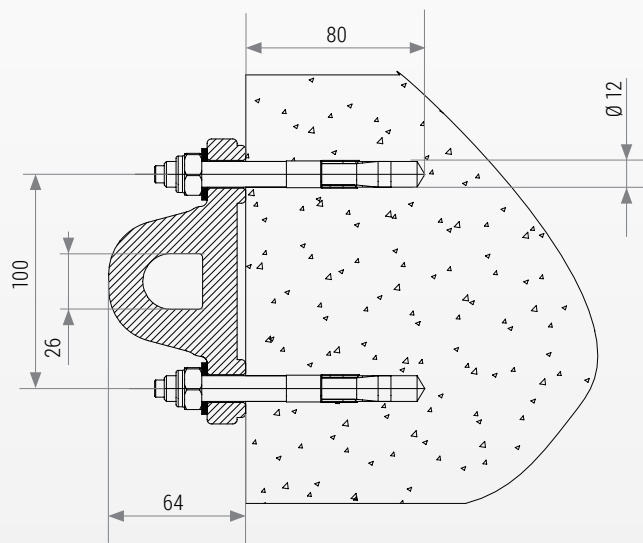
PARAMETERS

Material:	EPDM rubber
Dimensions:	62 x 135 x 2,8 mm
Weight:	19 g

Kit AT 150 001 installation on concrete

AT 150
+ stainless steel segment anchors M12/25/45

✂ INSTALLATION

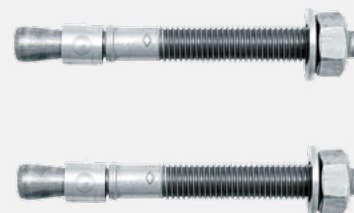


📦 THE KIT COMPRISES

1 x AT 150



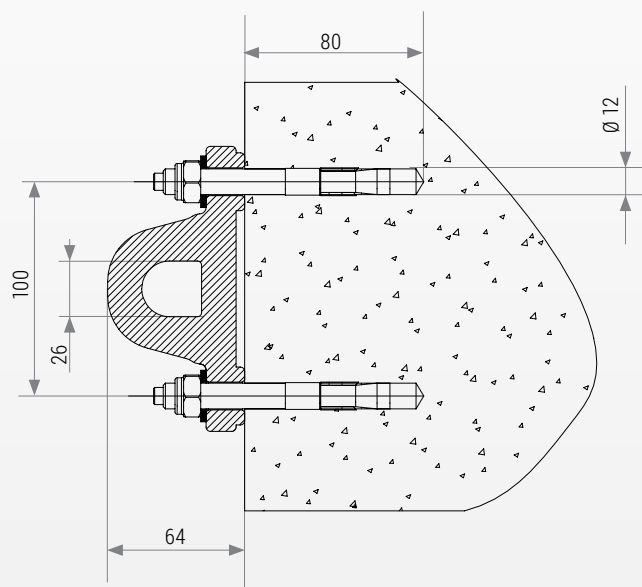
2 x M12/25/45



Kit AT 150 002 installation on concrete

AT 150
+ galvanized steel segment anchors M12/25/45

INSTALLATION

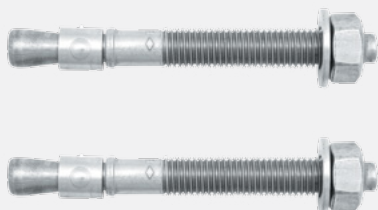


THE KIT COMPRISES

1 x AT 150



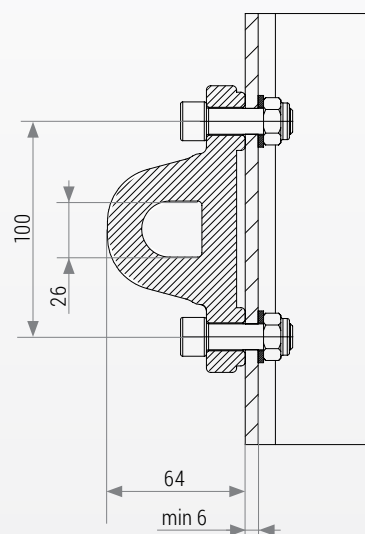
2 x M12/25/45



Kit AT 150 003 installation on steel profile

AT 150
+ screws M12x40 + washer M12 + self-locking nut M12

INSTALLATION

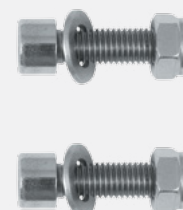


THE KIT COMPRISES

1 x AT 150



2 x M12x40



AT 151

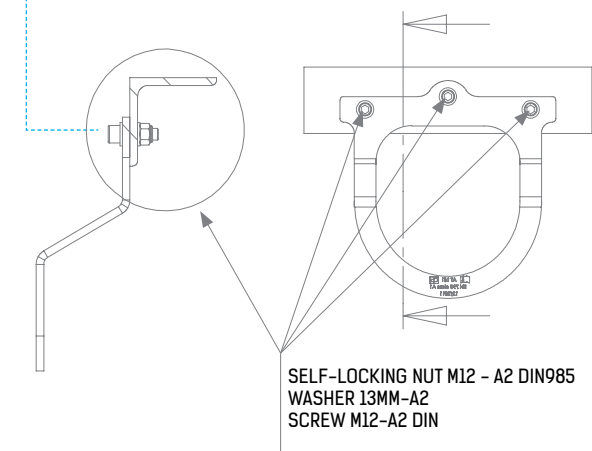
Anchor point

EN 795 TYPE A

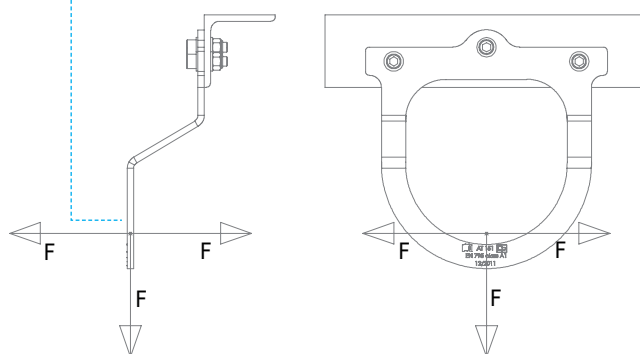
Ref. no.: AT 151



INSTALLATION



LOAD DIRECTION



PARAMETERS

Weight:	2,25 kg
Material:	stainless steel
Dimensions:	300 x 296 x 98 mm
Static strength:	min. 12 kN

Anchor point AT 151 for concrete is intended for anchoring personal fall protection equipment. The anchor can be installed on steel or concrete structural slabs.

SPECIAL FEATURES



Protection of
1 PERSON

AT 152

Anchor point

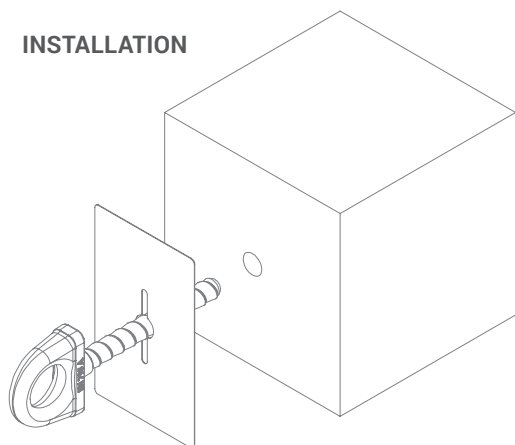
EN 795 TYPE A

Ref. no.: AT 152

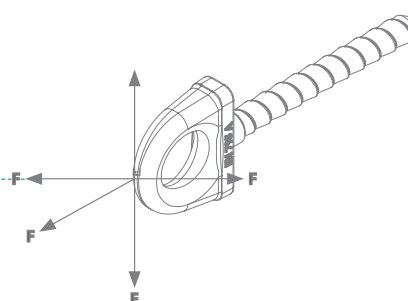
CE



INSTALLATION



LOAD DIRECTION



Anchor point AT 152 for concrete is intended for anchoring personal fall protection equipment. The anchor can be installed also in "green" concrete during its casting or using chemical anchors.

SPECIAL FEATURES



Protection of
1 PERSON

PARAMETERS

Weight:	0,35 kg
Material:	hot-dip galvanized steel
Dimensions:	173 x 60 x 20 mm
Static strength:	min. 12 kN

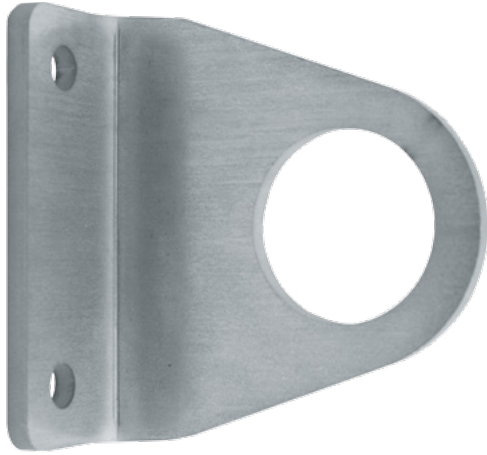
AT 153

Anchor point type A

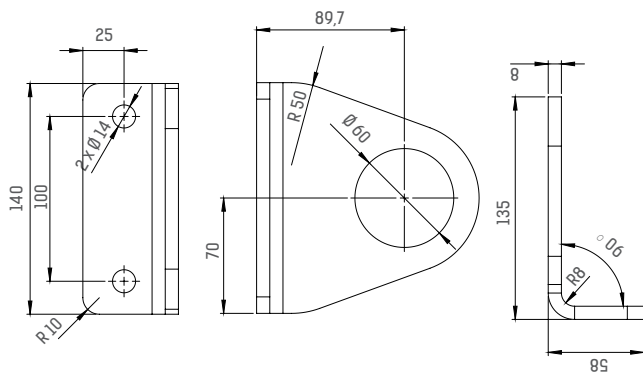
EN795 TYPE A

Ref. no.: AT 153

AT 153



DIMENSIONS



Anchor point is an anchor device mounted on a permanent structure.

PARAMETERS

Dimensions:	140x135x58 mm
Sheet thickness:	8 mm
Material:	stainless steel AISI 304
Weight:	1,1 kg (without anchors/screws)
Breaking strength:	min. 32 kN

SPECIAL FEATURES

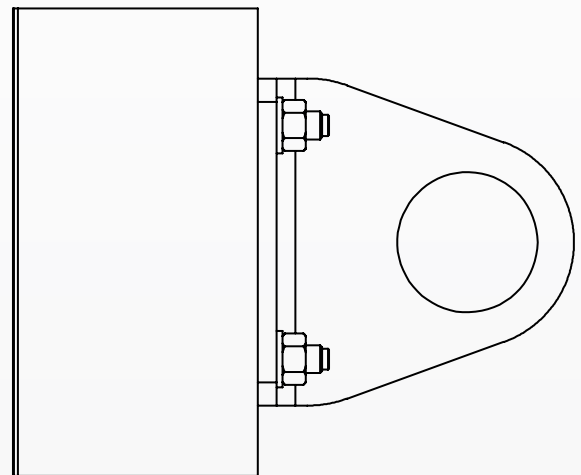


Protection of
1 PERSON

Kit AT 153 001 installation on concrete

AT 153
+ stainless steel segment anchors M12/25/45

INSTALLATION

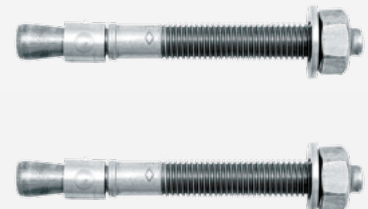


THE KIT COMPRISES

1 x AT 150



2 x M12/25/45



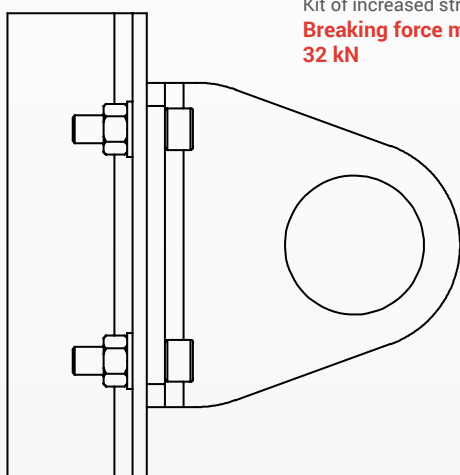
Kit AT 153 002 installation on steel profile

AT 153
+ screws M12x40 + washers + self-locking nuts M12

INSTALLATION



Kit of increased strength!
Breaking force min. 32 kN



THE KIT COMPRISES

1 x AT 150



2 x M12x40



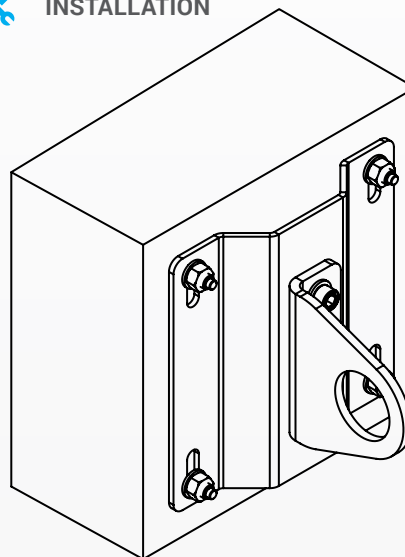
Kit AT 153 003 installation on concrete

AT 153
+ screws M12x40 + stainless steel segment anchors M12/25/45.

INSTALLATION



Kit of increased strength!
Breaking force min. 32 kN



THE KIT COMPRISES

1 x AT 150



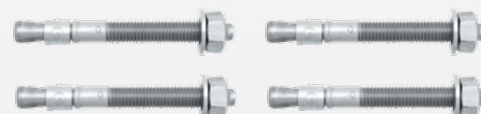
2 x M12x40



1 x AT153A



4 x M12/25/45



AT 180

Anchor point type A

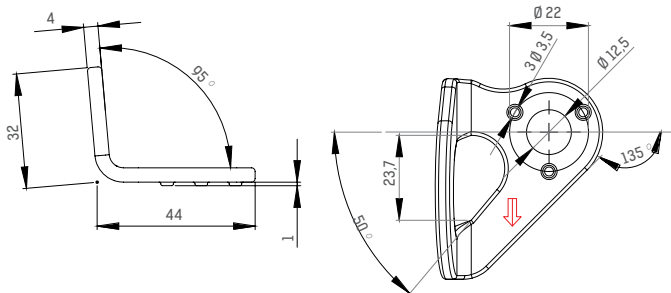
EN795 TYPE A

Ref. no.: AT 180

AT 180



DIMENSIONS



Anchor point is an anchor device mounted on a permanent structure.

PARAMETERS

Dimensions:	56 x 48 x 35 mm
Material:	stainless steel AISI 304
Weight:	65 g
Breaking strength:	min. 12 kN
Mounting hole:	Ø 12,5

SPECIAL FEATURES

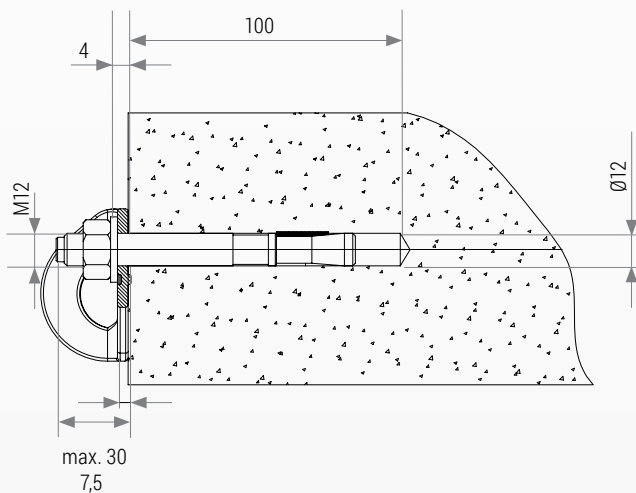


Protection of
1 PERSON

Kit AT 181 001 installation on concrete

AT 180
+ stainless steel segment anchor

INSTALLATION



THE KIT COMPRISES

1 x AT 180



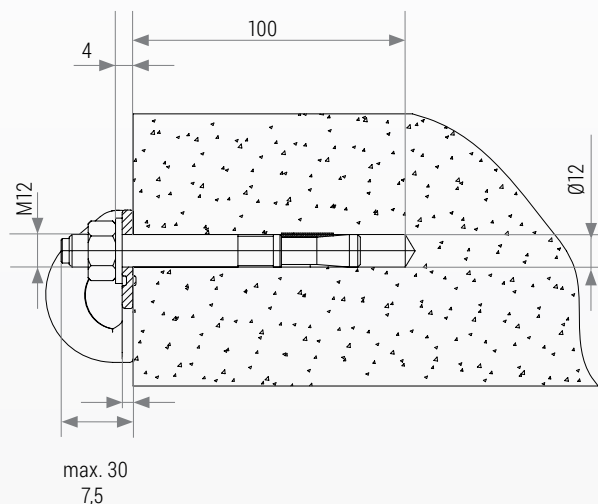
1 x M12/25/45



Kit AT 181 002 installation on concrete

AT 180
+ galvanized steel segment anchor

✂ INSTALLATION



📦 THE KIT COMPRISES

1 x AT 180



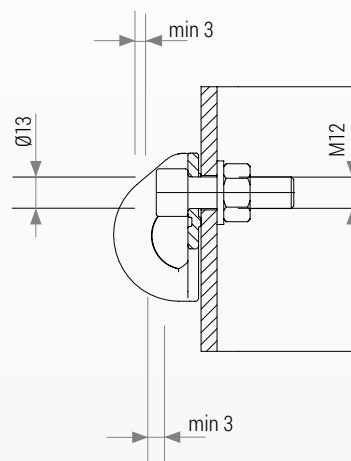
1 x M12/25/45



Kit AT 181 003 installation on steel profile

AT 180
+ screw M12x40 + washer M12 + self-locking nut M12

✂ INSTALLATION



📦 THE KIT COMPRISES

1 x AT 180



1 x M12x40



AT 181

Anchor point type A

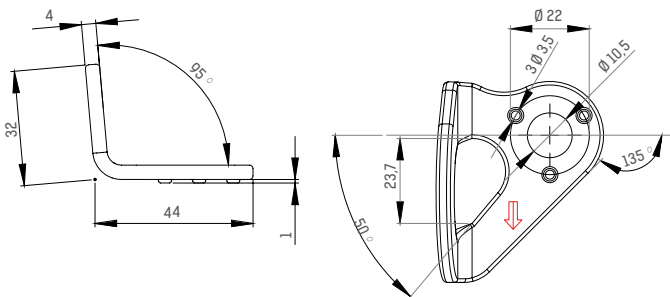
EN795 TYPE A

Ref. no.: AT 181

AT 181



DIMENSIONS



Anchor point is an anchor device mounted on a permanent structure.

PARAMETERS

Dimensions:	56 x 48 x 35 mm
Material:	stainless steel AISI 304
Weight:	65 g
Breaking strength:	min. 12 kN
Mounting hole:	ø 10,5

SPECIAL FEATURES

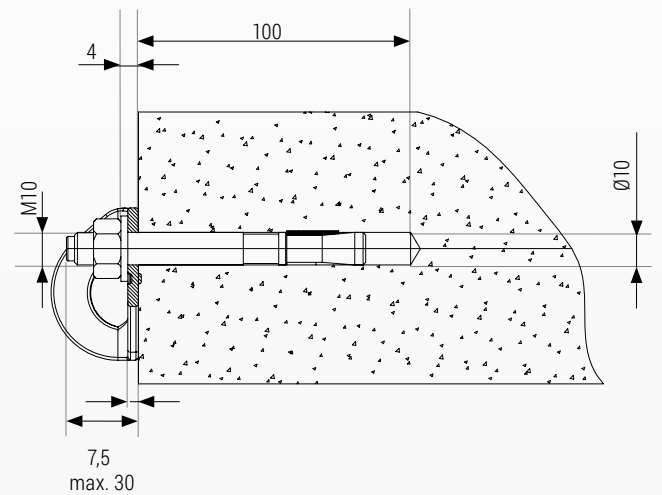


Protection of
1 PERSON

Kit AT 181 001 installation on concrete

AT 181
+ stainless steel segment anchor

INSTALLATION



THE KIT COMPRISES

1 x AT 181



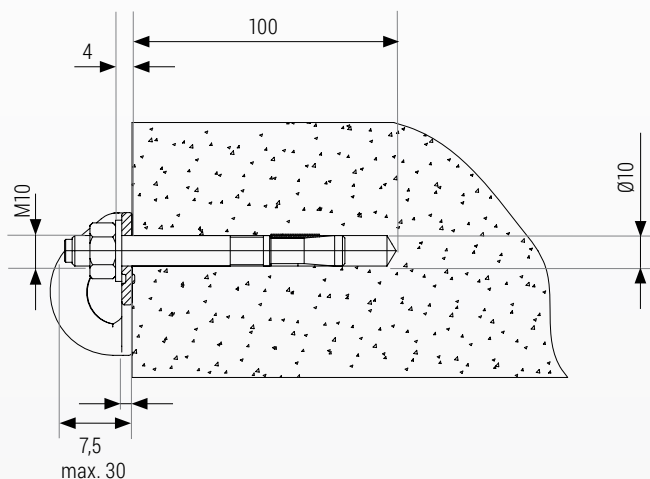
1 x M12/25/45



Kit AT 181 002 installation on concrete

AT 181
+ galvanized steel segment anchor

INSTALLATION



THE KIT COMPRISES

1 x AT 181



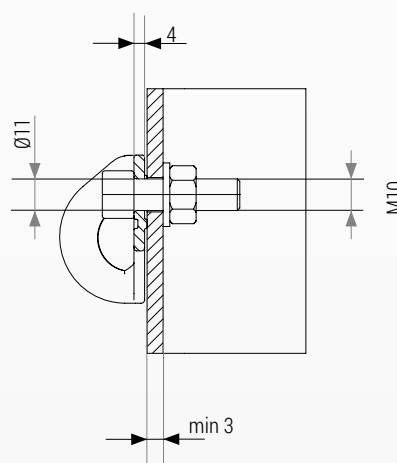
1 x M12/25/45



Kit AT 181 003 installation on steel profile

AT 181
+ screw M12x40 + washer M12 + self-locking nut M12

INSTALLATION



THE KIT COMPRISES

1 x AT 181



1 x M12x40



AT 182-01

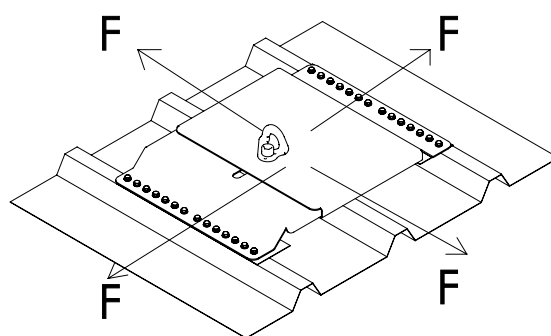
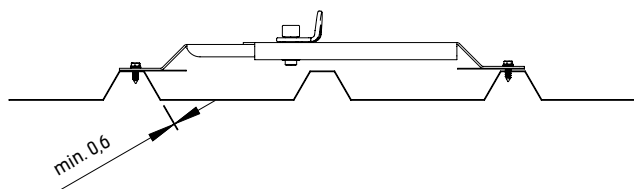
Anchor point type A

EN795 TYPE A

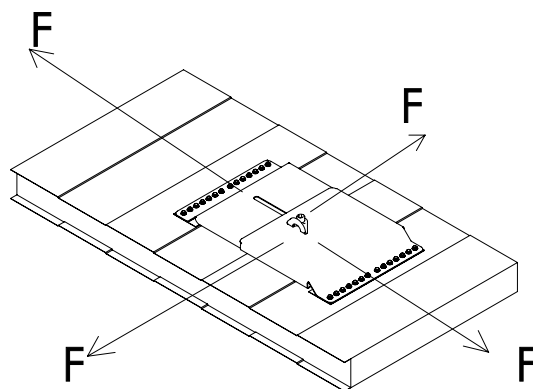
Ref. no.: AT 182-01



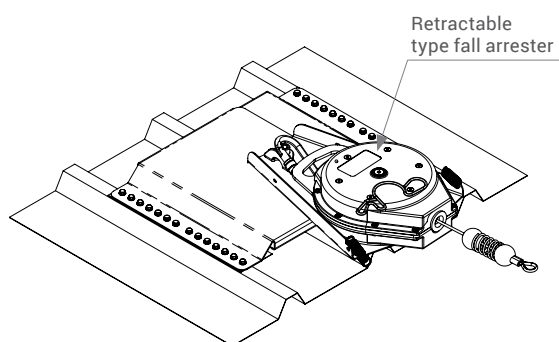
✂ INSTALLATION ON TRAPEZOIDAL SHEET



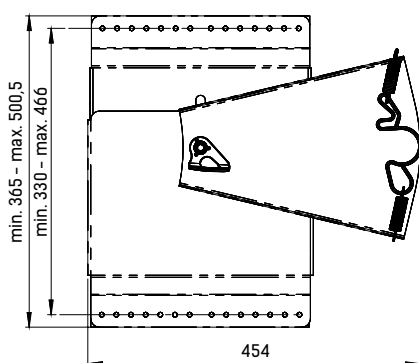
✂ INSTALLATION ON PERMANENT STRUCTURE



⚙ EXAMPLE USE



📏 DIMENSIONS



Anchor point is an anchor device mounted on a permanent structure.

PARAMETERS

Material:	stainless steel AISI 304
Weight:	4,5 kg
Breaking strength:	min. 12 kN
Mounting hole:	ø 12,5

SPECIAL FEATURES



REF. NO.:

AT 182-01

AT 182-02

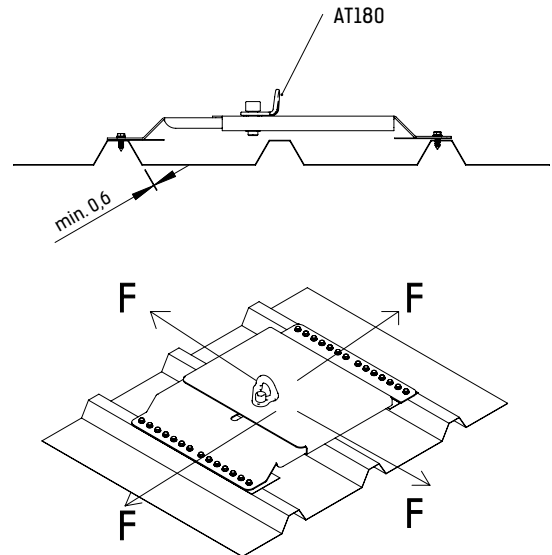
Anchor point type A

EN 795 TYPE A

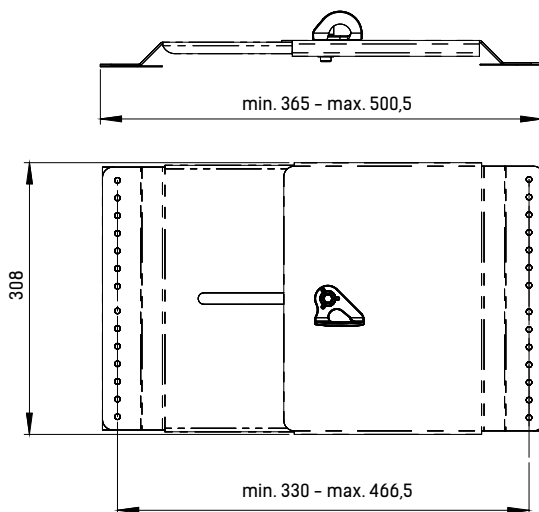
Ref. no.: AT 182-02



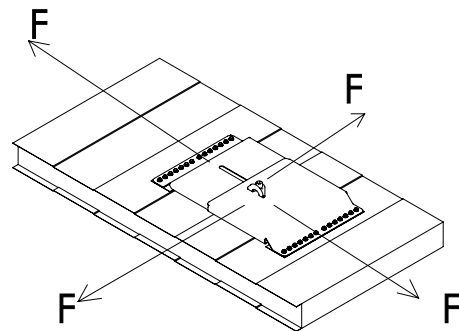
INSTALLATION ON TRAPEZOIDAL SHEET



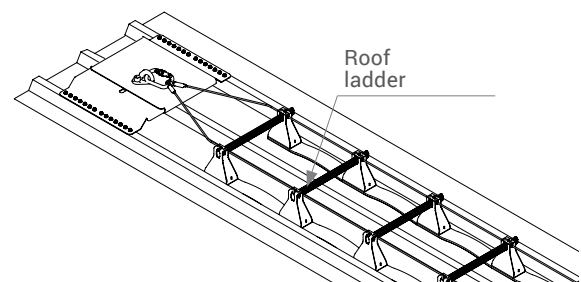
DIMENSIONS



INSTALLATION ON PERMANENT STRUCTURE



EXAMPLE USE



Anchor point is an anchor device mounted on a permanent structure.

SPECIAL FEATURES

 Protection of
1 PERSON

REF. NO.:

AT 182-02

AT 183

Anchor point type A

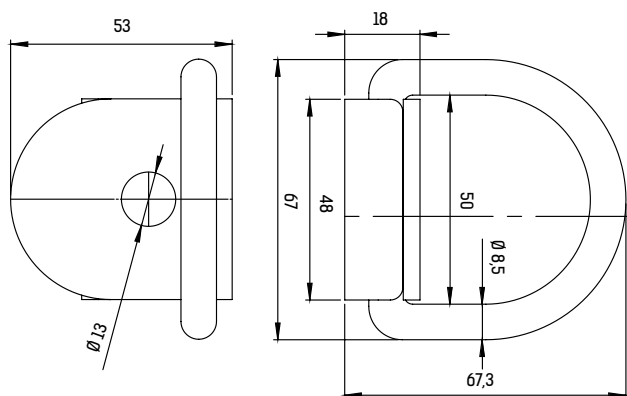
EN795 TYPE A

Ref. no.: AT 183

AT 183



DIMENSIONS



Anchor point is an anchor device mounted on a permanent structure.

PARAMETERS

Material:	stainless steel AISI 304
Breaking strength:	min. 12 kN
Mounting hole:	Ø 13

SPECIAL FEATURES



Protection of
1 PERSON

REF. NO.:

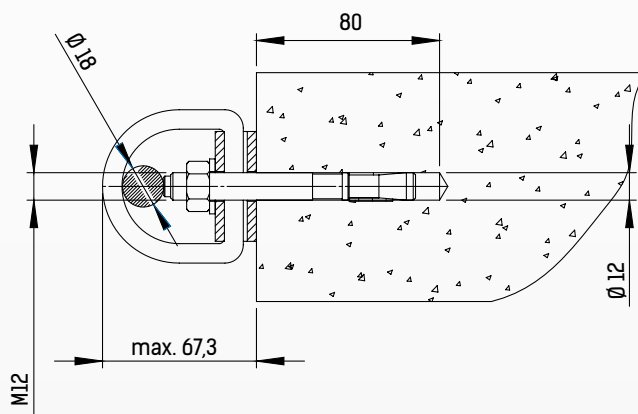
AT 183

Kit AT 183 001 installation on concrete

AT 183

+ stainless steel segment anchor

INSTALLATION



THE KIT COMPRISES

1 x AT 183



1 x M12/25/45



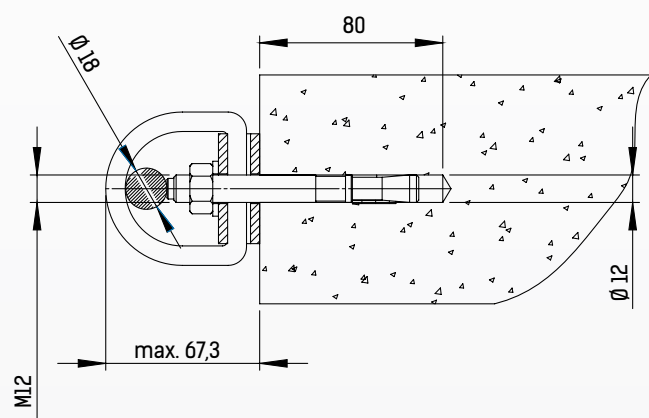
REF. NO.:

AT 183 01

Kit AT 183 002 installation on concrete

AT 183
+ galvanized steel segment anchor

INSTALLATION



THE KIT COMPRISES

1 x AT 183



1 x M12/25/45



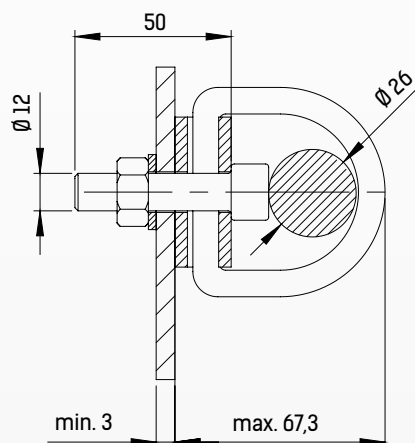
REF. NO.:

AT 183 002

Kit AT 183 003 installation on steel profile

AT 183
+ screw M12x50 + washer M12 + self-locking nut M12

INSTALLATION



THE KIT COMPRISES

1 x AT 183



1 x M12x50



REF. NO.:

AT 183 003

AT 192

Anchor point for steep roofs

EN795 TYPE A2

Ref. no.: AT 192

AT 192



Connecting lanyard AT 192 is a component of personal fall protection equipment. The lanyard should be used as a permanent anchor device type A, enabling connection of connecting and absorbing device to a structural anchor point. Connecting lanyard is formed by a stainless steel cable, 5mm dia. Device length from 0.35 to 5.0m. Fitted with a galvanized steel handle.

PARAMETERS

Material:	stainless steel + galvanized steel
Breaking strength:	min. 12 kN

SPECIAL FEATURES

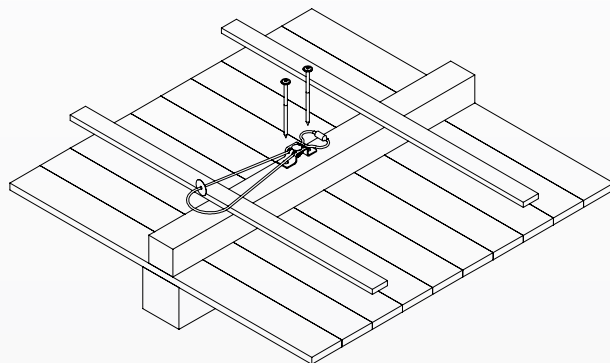


REF. NO.:	AT 192 LENGTH
AT 192 035	350 mm
AT 192 100	1000 mm
AT 192 200	2000 mm
AT 192 300	3000 mm
AT 192 400	4000 mm
AT 192 500	5000 mm
AT 192 xxx - any length from 0.35 to 5.0m as ordered	

Kit AT 192 XXX 001 assembly on wooden structures

AT 192
+ galvanized steel wood screw

✂ INSTALLATION



THE KIT COMPRISES

1 x AT 192



2 x

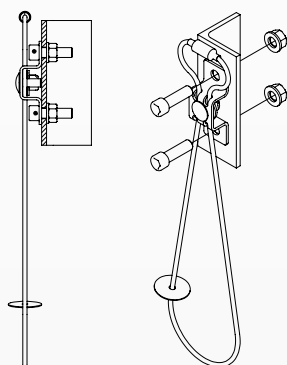


REF. NO.:	AT 192 LENGTH
AT 192 035 001	350 mm
AT 192 100 001	1000 mm
AT 192 200 001	2000 mm
AT 192 300 001	3000 mm
AT 192 400 001	4000 mm
AT 192 500 001	5000 mm

Kit AT 192 XXX 002 installation on steel profile

AT 192
+ screw M12x40-70 A2 + washer M12 + self-locking nut M12

INSTALLATION



THE KIT COMPRISES

1 x AT 192



2 x M12x40-70 A2

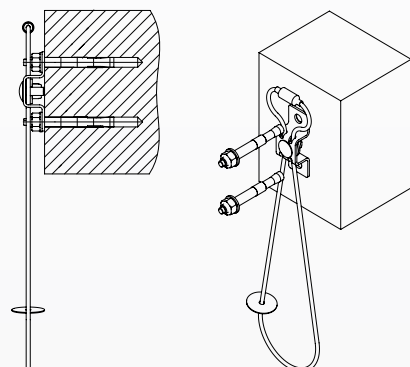


REF. NO.:	AT 192 LENGTH
AT 192 035 002	350 mm
AT 192 100 002	1000 mm
AT 192 200 002	2000 mm
AT 192 300 002	3000 mm
AT 192 400 002	4000 mm
AT 192 500 002	5000 mm

Kit AT 192 XXX 003 assembly on wooden structures

AT 192
+ galvanized steel segment anchor

INSTALLATION

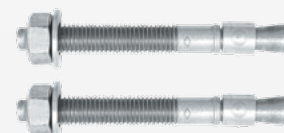


THE KIT COMPRISES

1 x AT 192



2 x M12x40



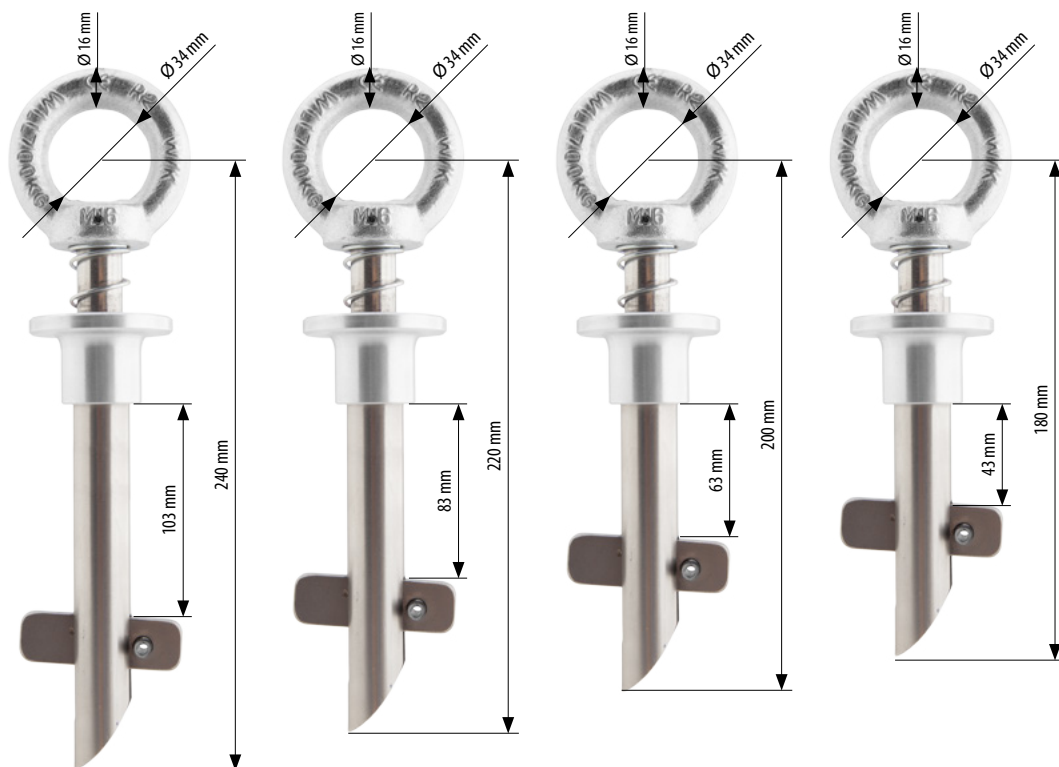
REF. NO.:	AT 192 LENGTH
AT 192 035 003	350 mm
AT 192 100 003	1000 mm
AT 192 200 003	2000 mm
AT 192 300 003	3000 mm
AT 192 400 003	4000 mm
AT 192 500 003	5000 mm

AT 020

Anchor point

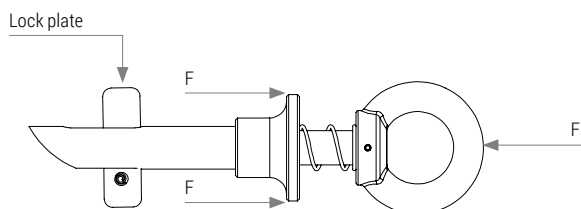
EN 795 TYPE B

Ref. no.: AT 020

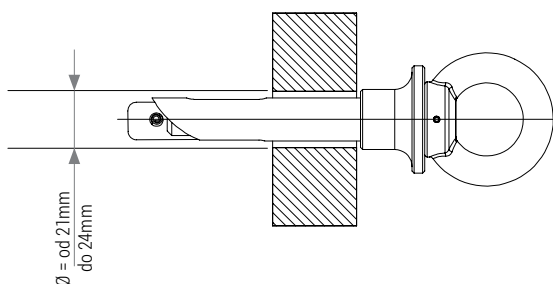


✂ INSTALLATION

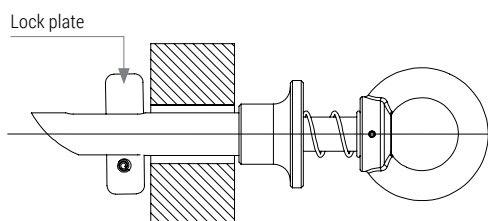
- 1 Push the device as shown



- 2 Put anchor point in bore hole



- 3 Make sure that lock plate disables the anchor point removal



Anchor point AT 020 is intended for anchoring personal fall protection equipment. The anchor is intended for installation on vertical, horizontal or inclined surfaces, in a specially prepared bore hole.

PARAMETERS

Material:	galvanized steel, stainless steel, aluminium
Weight:	~ 0,66 kg
Static strength:	no less than 12 kN

SPECIAL FEATURES



Protection of
1 PERSON

AT 021

Anchor point for concrete

EN 795 TYPE B

Ref. no.: AT 021



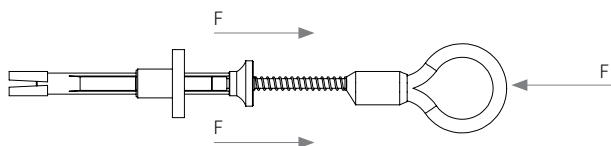
PRODUCT
PRESENTATION

protekt.co/at021

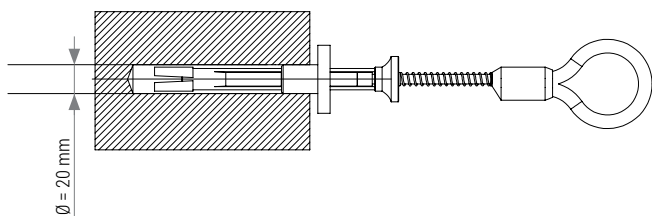


✂ INSTALLATION

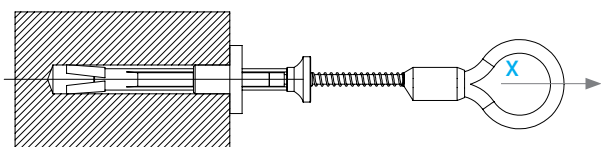
1 Squeeze the device in direction as shown



2 Put anchor point in bore hole



3 Make sure that stones are locked in the hole by pulling the device in direction shown by arrow "X".



Anchor AT021 is an easy-to-mount temporary anchor point for permanent structures, intended for protection of 1 user, installed on concrete of class min. B20. The anchor AT021 can be used for installation on vertical, horizontal or inclined surfaces.

PARAMETERS

Static strength:	no less than 12 kN
Surface strength:	min. concrete B20
Weight:	280 g
Material:	zinc-anodized galvanized steel stainless steel, aluminium

SPECIAL FEATURES



AZ 200

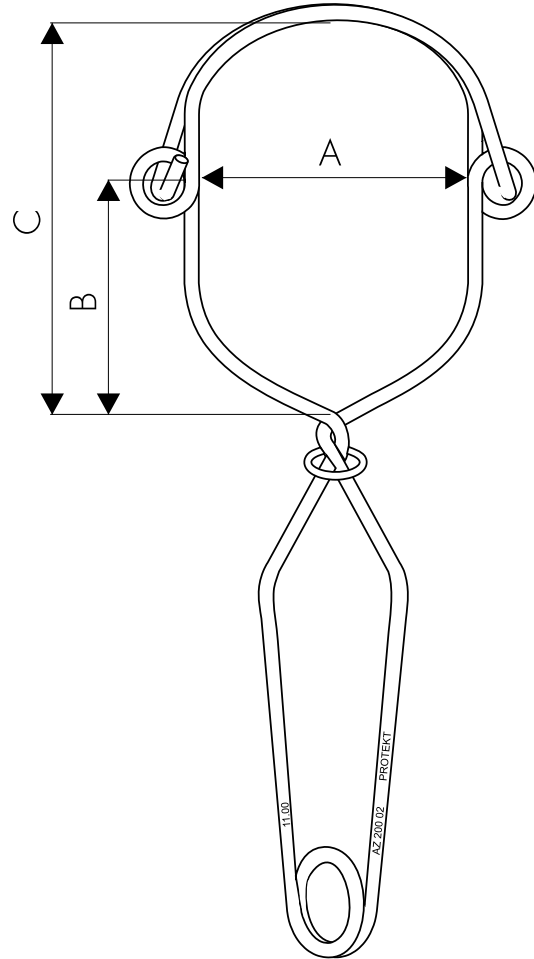
Pipe anchor

EN 362

Ref. no.: AZ 200



DIMENSIONS



PARAMETERS

Material:	stainless steel + copper
Weight:	min. 12 kN

SPECIAL FEATURES



Protection of
1 PERSON

REF. NO.:

AZ 200 01 CLEARANCE 81 MM	346 mm
AZ 200 02 CLEARANCE 112 MM	373 mm
AZ 200 03 CLEARANCE 140 MM	415 mm

Dimension	DEVICE VERSION		
	AZ 200 01	AZ 200 02	AZ 200 03
A	81	112	140
B	85	105	125
C	128	175	208

Formed by a single stainless steel rod, 6mm dia. Pipe anchor is a component of fall protection equipment, and is intended to connect connecting and absorbing device (e.g. energy absorber with lanyard, retractable type fall arrester, guided type fall arrester work rope) to a structural anchor point.

Maximum opening of the pipe anchor when placing on a profile cannot be greater than dimension A for a given model, as provided in the table.

AZ 300

Anchor device

EN 795 TYPE B

Ref. no.: AZ 300

CE

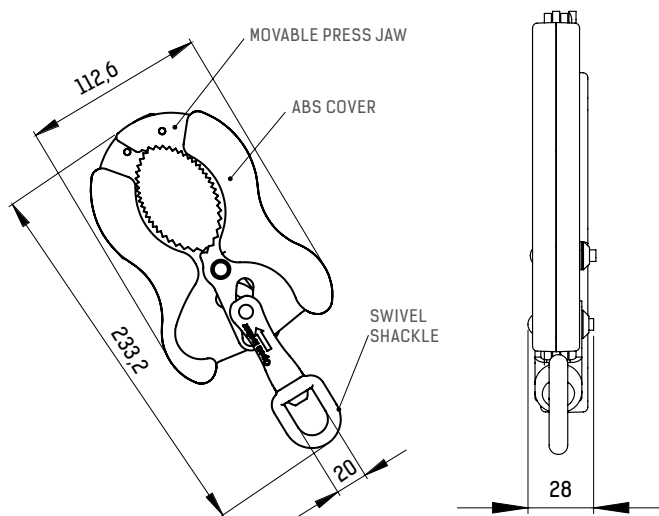


PRODUCT
PRESENTATION

protekt.co/az300



DIMENSIONS



Anchor device AZ 300 is intended for use by one person; to be used as a protection against falls from a height when working on scaffolds. To be used on tubes, 44.5 - 50mm dia.

SPECIAL FEATURES



Protection of
1 PERSON

PARAMETERS

Opening:	52 mm
Breaking strength:	min. 12 kN
Material:	stainless steel, ABS
Weight:	880 g

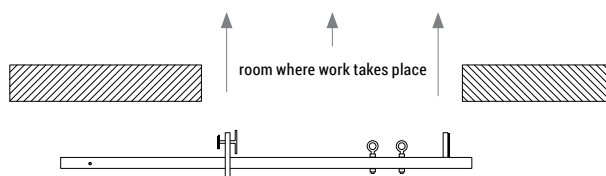
REF. NO.:

AZ 300

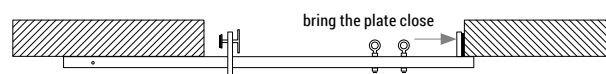


INSTALLATION

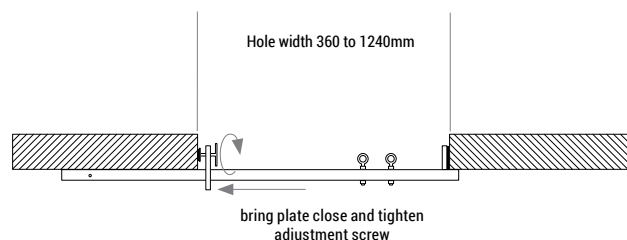
- 1** Place anchor beam inside opening in the ground or on sill.



- 2** Make sure that beam is horizontal and if it fits tightly to the wall. Then bring mounting plate close to the hole side surface.



- 3** Bring adjustment plate close to the opposite side surface on the hole. Push adjusting plate firmly by tightening adjustment screw to the hole side surface.



Anchor beam AT 060 is a component of fall protection equipment and can be used as a portable anchor device. The beam can be used in building openings (windows and doors), 350 to 1240mm wide. It is fitted with two fixing plates.

PARAMETERS

Material:	zinc-anodized steel
Dimensions:	1415 x 150 x 100 mm
Weight:	6,9 kg
Static strength:	min. 13 kN

SPECIAL FEATURES



Protection for up to 2 users.

AT 061

Aluminium anchor beam + bag

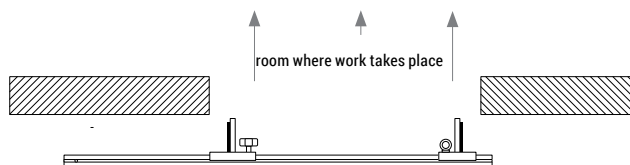
EN 795 TYPE B

Ref. no.: AT 061

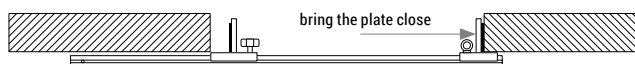


✂ INSTALLATION

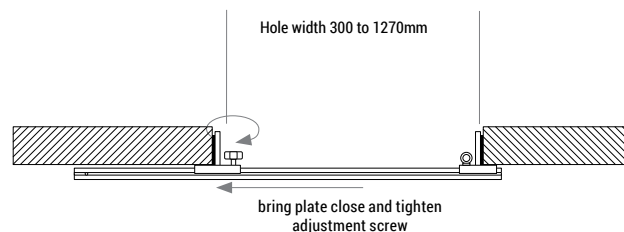
- 1 Place anchor beam inside opening in the ground or on sill.



- 2 Make sure that beam is horizontal and if it fits tightly to the wall. Then bring mounting plate close to the hole side surface.



- 3 Bring adjustment plate close to the opposite side surface on the hole. Push adjusting plate firmly by tightening adjustment screw to the hole side surface.



Light aluminium alloy anchor beam AT 061 is a component of fall protection equipment and can be used as a portable anchor device. The beam can be used in building openings (windows and doors), 300 to 1270mm wide. It is fitted with two fixing plates.

SPECIAL FEATURES



PARAMETERS

Material:	aluminium
Dimensions:	1422 x 122 x 100 mm
Weight:	3,2 kg
Static strength:	min. 12 kN

AT 062

Aluminium anchor beam

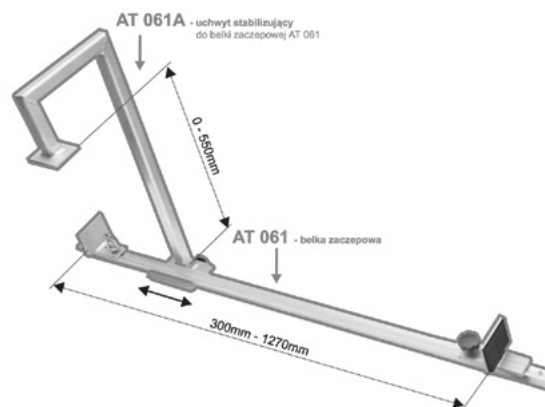
EN 795 TYPE B

Ref. no.: AT 062



✂ INSTALLATION

Place anchor beam inside opening in the ground or on sill. If the beam is horizontal and fits the wall firmly, bring mounting plate close to the hole side surface. Bring adjustment plate close to opposite side surface on the hole and push adjustment plate firmly by tightening adjustment screw to the hole side surface.



Light aluminium alloy anchor beam AT 062 with a stabilising clamp is a component of fall protection equipment and can be used as a portable anchor device. The beam can be used in building openings (windows and doors), 300 to 1270mm wide. It is fitted with two fixing plates. Beam AT 062 must be used with personal fall protection equipment.

PARAMETERS

Material:	aluminium
Weight:	6,7 kg
Dimensions:	1455 x 300 x 200 mm
Static strength:	min. 12 kN

SPECIAL FEATURES



Protection of
1 PERSON

AT 063

Anchor for trapezoidal corrugated sheet

EN 795 TYPE B

Ref. no.: AT 063

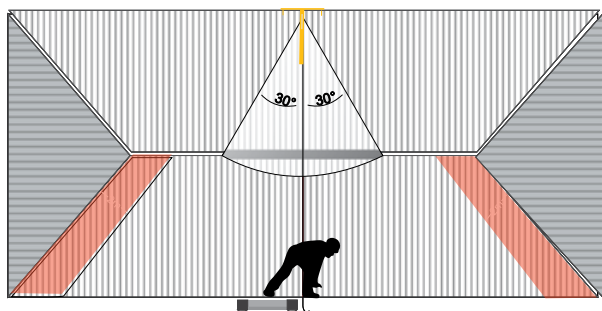
CE



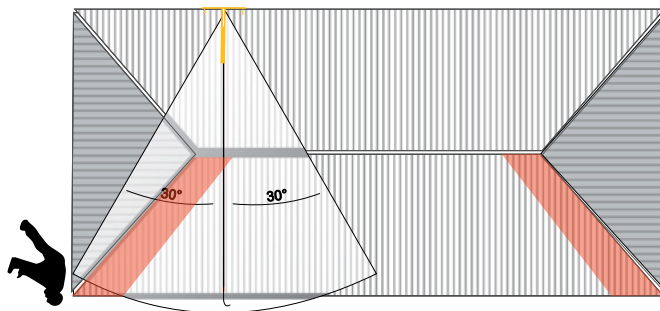
✂ INSTALLATION



Correct



Incorrect



The anchor is suitable for most sheet profiles available on the market.

PARAMETERS

Material:	powder coated steel
Dimensions:	495 x 500 x 100 mm
Weight:	~3,70 kg
Static strength:	>12 kN
Breaking strength:	>12 kN

SPECIAL FEATURES



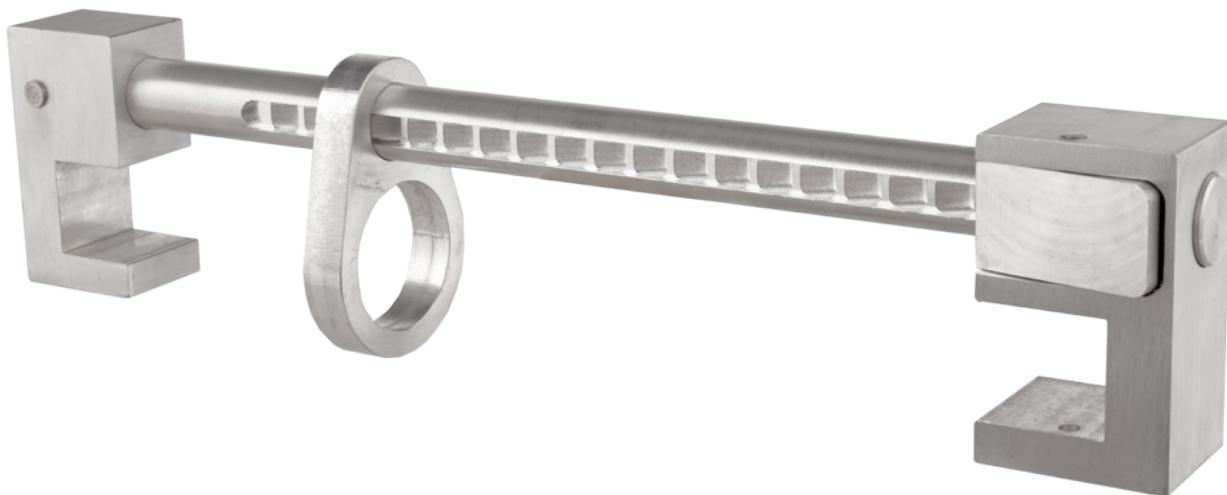
Protection of
1 PERSON

AT 250

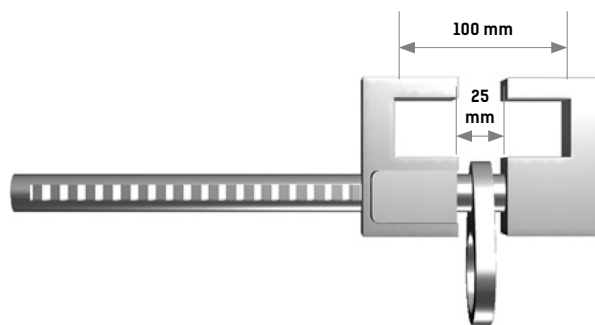
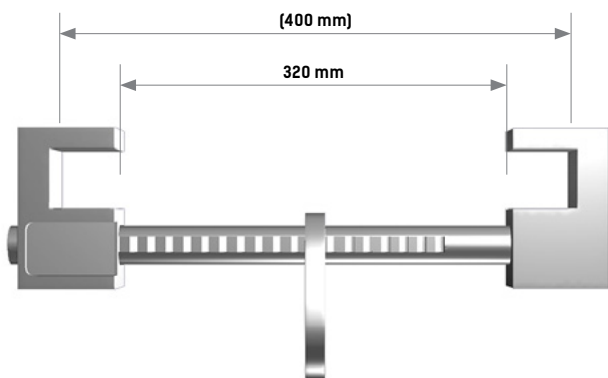
Anchor device

EN 795 TYPE B

Ref. no.: AT 250



DIMENSIONS



Anchor device AT 250 is a portable anchor point, suitable for use with an I-beam rail. The rail must be fixed to a permanent structure.

SPECIAL FEATURES



Protection of
1 PERSON

PARAMETERS

Minimum opening:	25 mm
Maximum opening:	320 mm
Material:	aluminium
Dimensions:	440 x 100 x 45 mm
Weight:	1,37 kg

AT 251

Anchor device

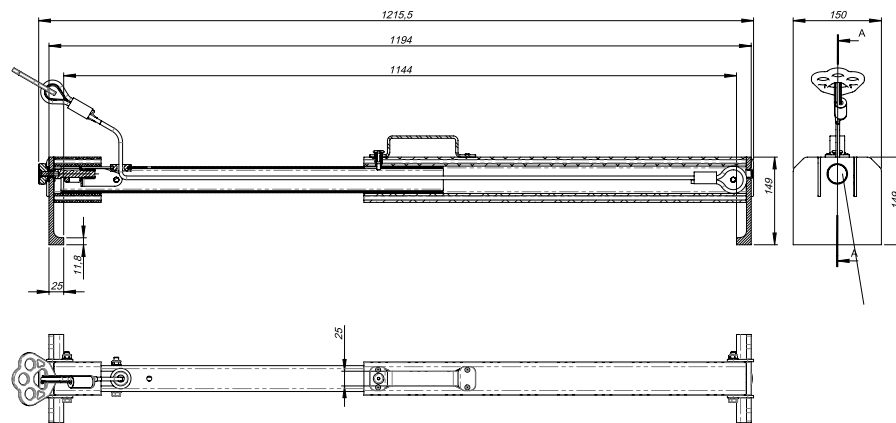
EN 795 TYPE B

Ref. no.: AT 251

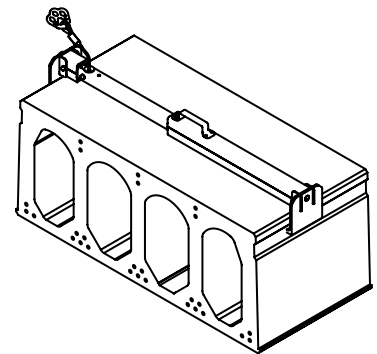
CE



DIMENSIONS



INSTALLATION



SPECIAL FEATURES

 Protection for up to 3 people.

PARAMETERS

Material:	aluminium, stainless steel, galvanized steel
Dimensions when folded:	150 x 805 x 150 mm
Weight:	8 kg
Minimum breaking strength:	15 kN
Number of users:	max. 3

ST 010

Anchor device

EN 795 TYPE B

Ref. no.: AT 100

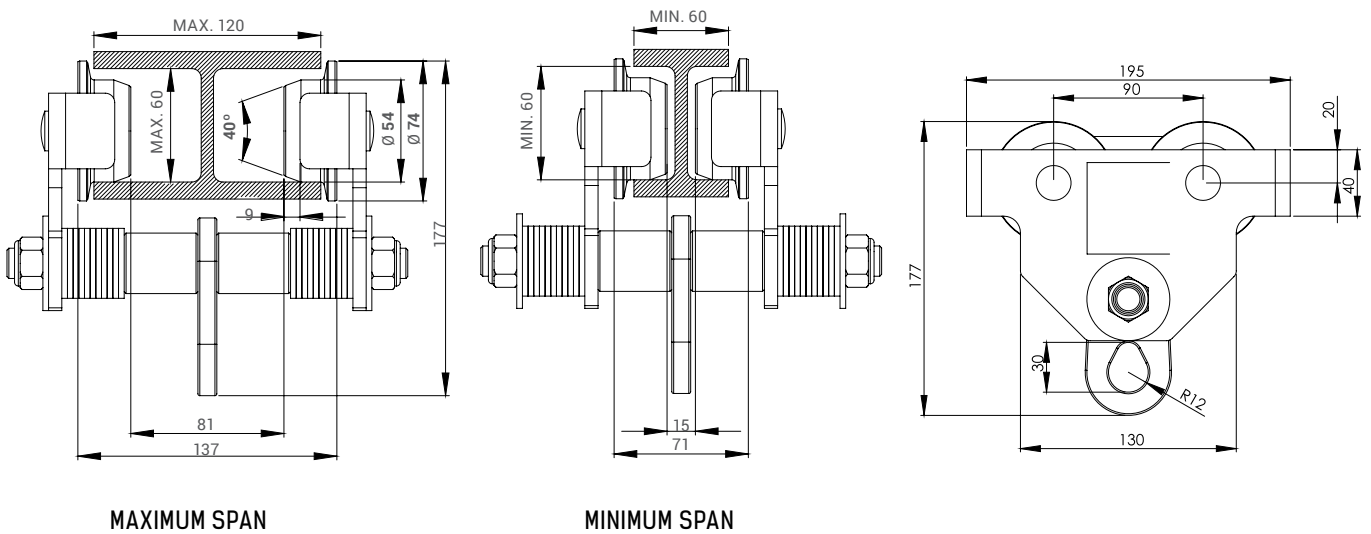


PRODUCT
PRESENTATION

protekt.co/st010



DIMENSIONS



MAXIMUM SPAN

MINIMUM SPAN

PARAMETERS

Weight:	5,2 kg
Material:	painted galvanized steel

SPECIAL FEATURES



Anchor trolley ST 010 is designed as a portable anchor (attachment) point. It must be used with fall protection equipment. The trolley moves (drives) along a horizontal I-beam (rail). The rail must be fixed to a permanent structure. Anchor trolley ST 010 can be used with rails, 65mm to 120mm wide. The trolley provides protection for one person only.

ST 020

Anchor device

EN 795 TYPE B

Ref. no.: AT 120

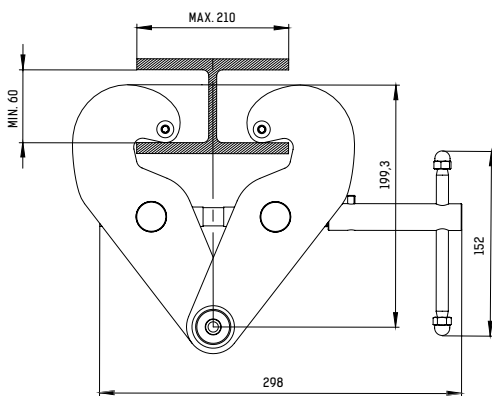


PRODUCT
PRESENTATION

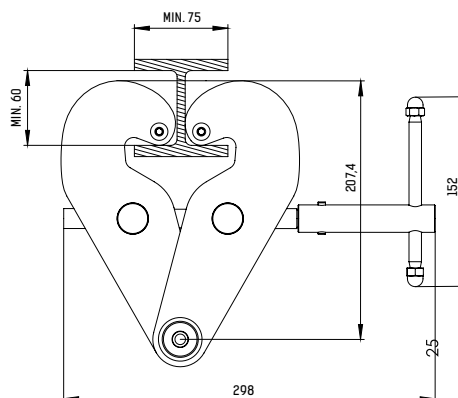
protekt.co/st020



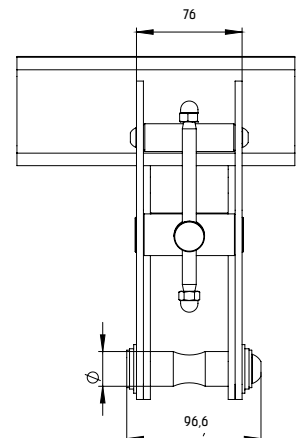
DIMENSIONS



MAXIMUM SPAN



MINIMUM SPAN



PARAMETERS

Weight:	4 kg
Material:	painting galvanized steel

SPECIAL FEATURES



Protection of
1 PERSON

Anchor device ST 020 is a portable anchor point (as a protection for one person) suitable for use with an I-beam rail. The rail must be fixed to a permanent structure. Anchor device ST 020 can be used with rails, 75mm to 210mm wide.

ST 030

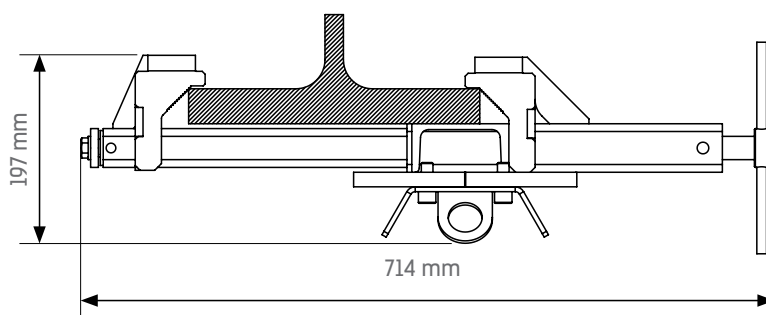
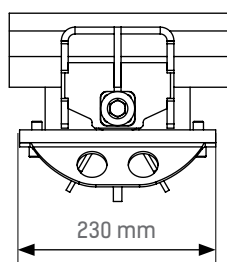
Anchor device

EN 795 TYPE B

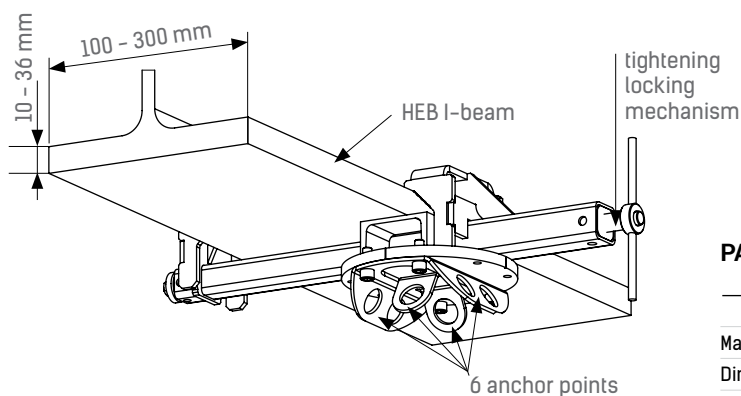
Ref. no.: AT 130



DIMENSIONS



INSTALLATION



PARAMETERS

Material:	zinc-anodized steel
Dimensions:	72 x 20 x 23 cm
Weight:	~16,5kg
Maximum number of users:	Max. 6 users

SPECIAL FEATURES



Anchor device ST 030 is an element of personal fall protection equipment.

The device is a portable anchor point for fall protection equipment. The device can be mounted on HEB I-beams with flange 100 to 300mm wide and 10 to 36mm thick. The device provides protection for up to 6 users at a time. It is made of zinc-anodized and powder-coated steel.

AT 190

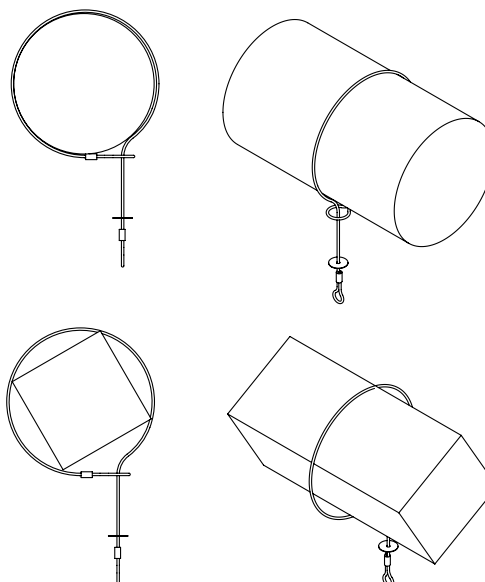
Connecting lanyard without connectors

EN795 TYPE B

Ref. no.: AT 190

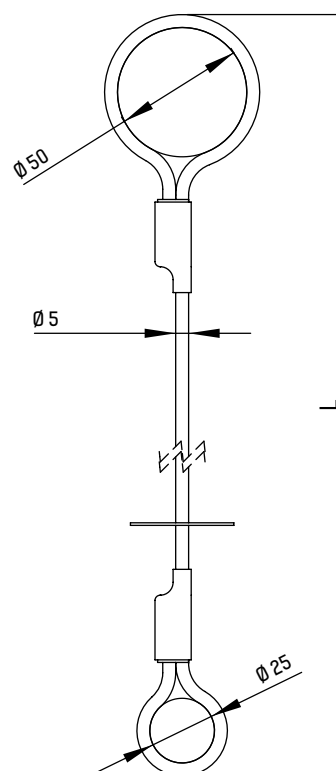


✂ INSTALLATION



Connecting lanyard AT 190 is a component of fall protection equipment, intended for connection of connecting and absorbing device to a structural anchor point. Connecting lanyard is formed by a stainless steel cable, 5mm dia, and has flexible loops of various diameters at both ends enabling for looping without using any additional connectors. The cable is weather-resistant.

📏 DIMENSIONS



PARAMETERS

Material:	stainless steel + copper
Weight:	min. 12 kN

SPECIAL FEATURES



REF. NO.:	LENGTH
AT 190 060	60 cm
AT 190 100	100 cm
AT 190 200	200 cm
AT 190 300	300 cm
AT 190 500	500 cm
AT 190 1000	1000 cm

AT 190 XX - ANY LENGTH UP TO 10M AS ORDERED

AT 191

Connecting lanyard without connectors

EN 795 TYPE B

Ref. no.: AT 191

CE

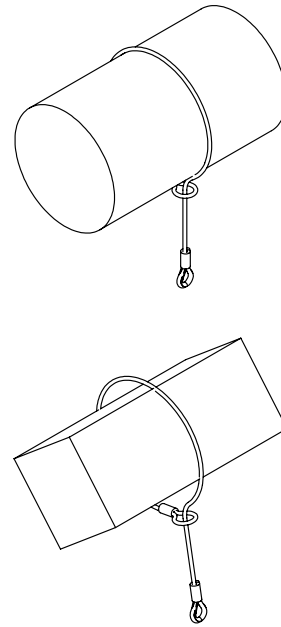


PRODUCT
PRESENTATION

protekt.co/at191



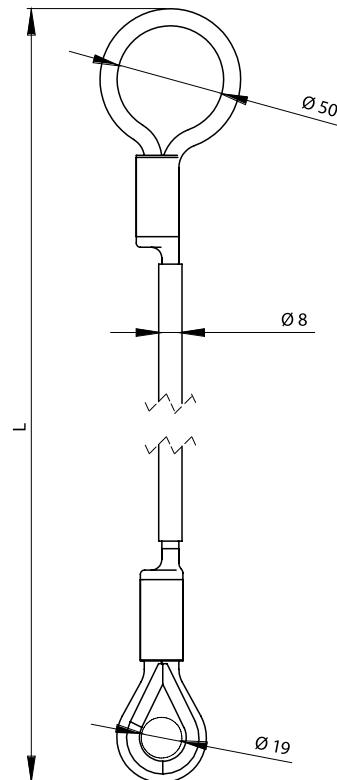
INSTALLATION



Connecting lanyard AT 191 is a component of personal fall protection equipment. The anchor point should be used as a portable temporary anchor device type B, enabling connection of connecting and absorbing device to a structural anchor point. Connecting lanyard is formed by stainless steel cable, 8mm dia and 0.6 to 10m long, fitted with loops of various diameters at both ends, enabling for looping without using any additional connectors.



DIMENSIONS



PARAMETERS

Material:	stainless steel + copper
Weight:	min. 12kN

SPECIAL FEATURES



Protection of
1 PERSON

REF. NO.:	LENGTH
AT 191 060	60 cm
AT 191 100	100 cm
AT 191 200	200 cm
AT 191 300	300 cm
AT 191 500	500 cm
AT 191 1000	1000 cm

AT 191 XX - ANY LENGTH UP TO 10 M ACCORDING TO THE ORDER

AC 340

Anchor device

EN 795 TYPE A

Ref. no.: AC 340

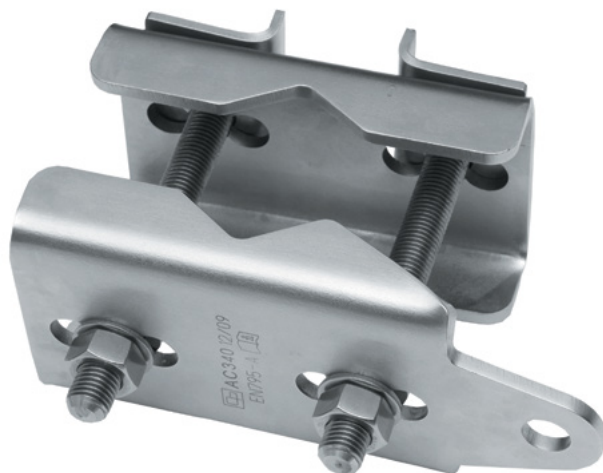


INSTALLATION

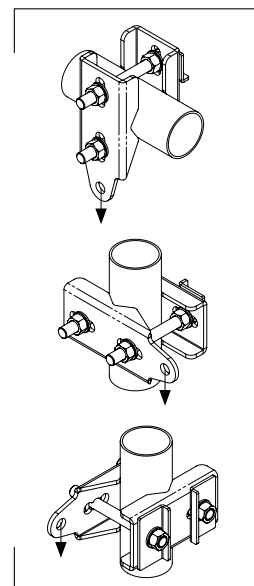


PRODUCT
PRESENTATION

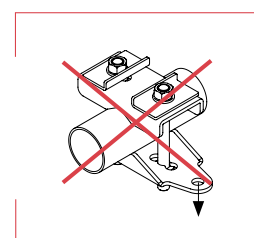
protekt.co/ac340



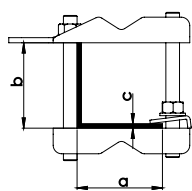
CORRECT



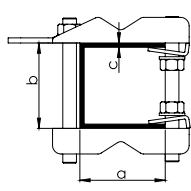
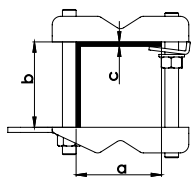
INCORRECT



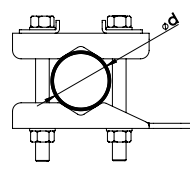
DIMENSIONS



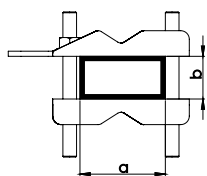
$a = 30-100 \text{ mm}$ $b = 30-100 \text{ mm}$
 $c = \text{max. } 12 \text{ mm}$



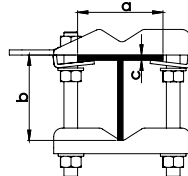
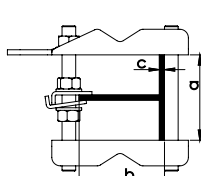
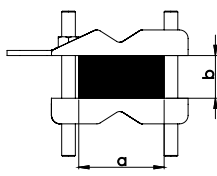
$a = 30-100 \text{ mm}$
 $b = 30-100 \text{ mm}$
 $c = \text{max. } 12 \text{ mm}$



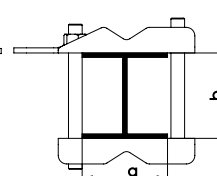
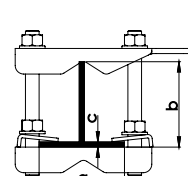
$d = 30 \text{ } \varnothing - 90 \text{ mm } \varnothing$



$a = 30-100 \text{ mm}$ $b = 30-100 \text{ mm}$ $c = \text{max. } 12 \text{ mm}$



$a = 30-100 \text{ mm}$ $b = 30-100 \text{ mm}$ $c = \text{max. } 12 \text{ mm}$



Anchor device AC 340 is a portable anchor point (as a protection for one person) suitable for use with I-beams as shown above. They can be used also on tubes, 90mm dia max.

PARAMETERS

Material:	stainless steel
Dimensions:	208 x 97 x 75 (min.) - 140 (max.) mm
Weight:	2,50 kg
Mounting range:	75-140 mm

SPECIAL FEATURES



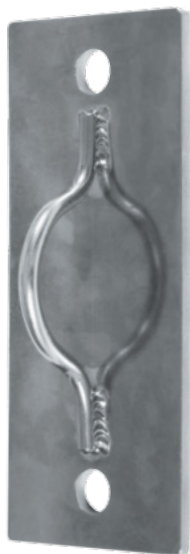
Protection of
1 PERSON

HL 104

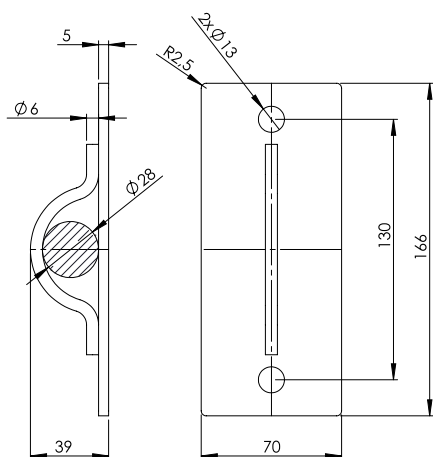
Anchor point

EN795 TYPE A

Ref. no.: HL 104



DIMENSIONS



Anchor point HL 104 can be mounted on concrete structure or on steel profiles.

PARAMETERS

Dimensions:	70 x 166 x 39 mm
Material:	stainless steel AISI 304
Breaking strength:	min. 12 kN

SPECIAL FEATURES



Protection of
1 PERSON

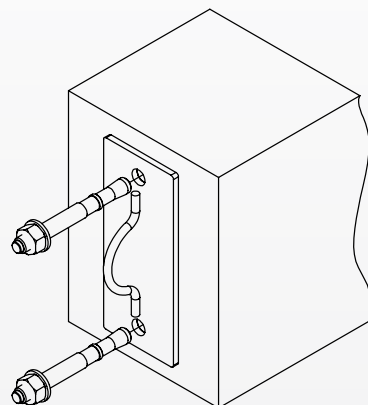
REF. NO.:

HL 104

Kit HL 104 001 installation on concrete

HL 104
+ stainless steel segment anchor

✂ INSTALLATION

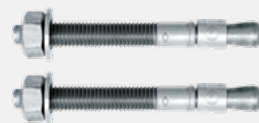


THE KIT COMPRISES

1 x HL 104



2 x M12/25/45



REF. NO.:

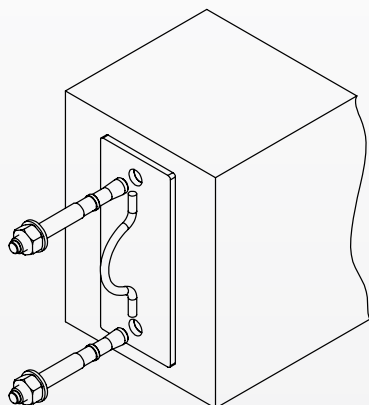
HL 104 001

Kit HL 104 002

installation on concrete

HL 104
+ galvanized steel segment anchor

INSTALLATION

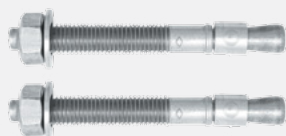


THE KIT COMPRISES

1 x HL 104



2 x M12/25/45



REF. NO.:

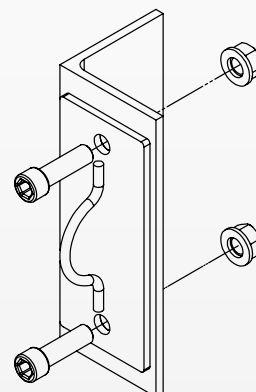
HL 104 002

Kit HL 104 003

installation on steel profile

HL 104 + screw M12x40-A2-70

INSTALLATION



THE KIT COMPRISES

1 x HL 104



2 x M12x40-A2-70



REF. NO.:

HL 104 03

HL 105

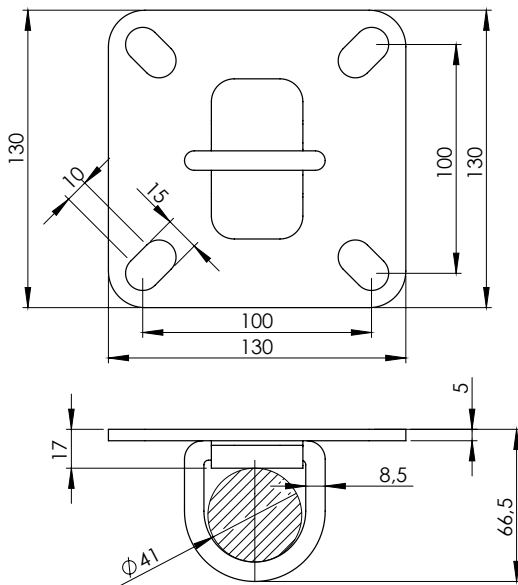
Anchor point for steep roofs

EN795 TYPE A

Ref. no.: HL 105



DIMENSIONS



Anchor point HL 105 can be mounted on concrete structure or on steel profiles.

PARAMETERS

Dimensions:	130 x 130 x 17 - 66,5 mm
Material:	powder-coated steel - RAL 1023
Breaking strength:	min. 12 kN

SPECIAL FEATURE



Protection of
1 PERSON

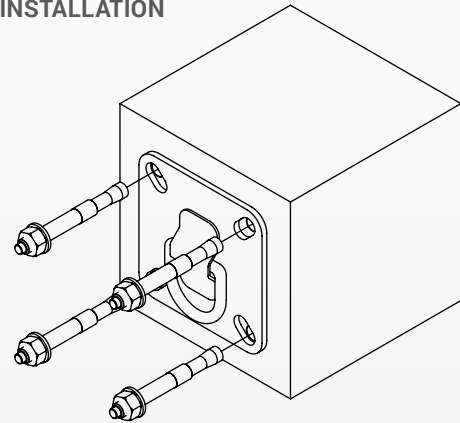
REF. NO.:

HL 105

Kit HL 105 001 installation on concrete

HL 105 + stainless steel segment anchor

✂ INSTALLATION

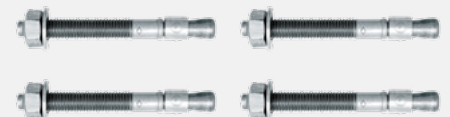


THE KIT COMPRISES

1 x HL 105



4 x M12/25/45



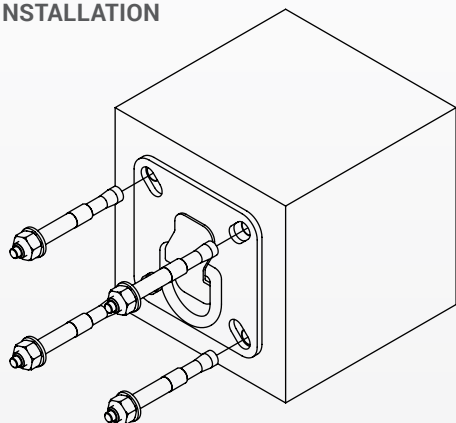
REF. NO.:

HL 105 001

Kit HL 105 002 installation on concrete

HL 105 + galvanized steel segment anchor

INSTALLATION



THE KIT COMPRISES

1 x HL 105



4 x M12/25/45



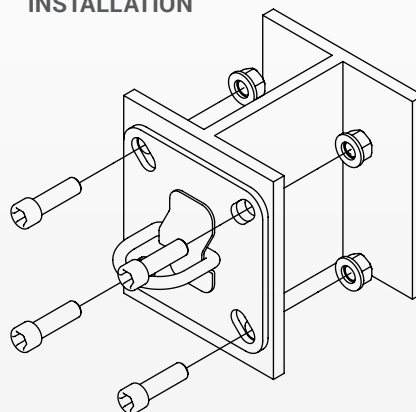
REF. NO.:

HL 105 002

Kit HL 105 003 installation on steel profile

HL 105 + screw M12x40-A2-70

INSTALLATION

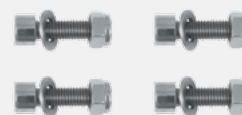


THE KIT COMPRISES

1 x HL 105



4 x M12x40-A2-70



REF. NO.:

HL 105 003

AT 401

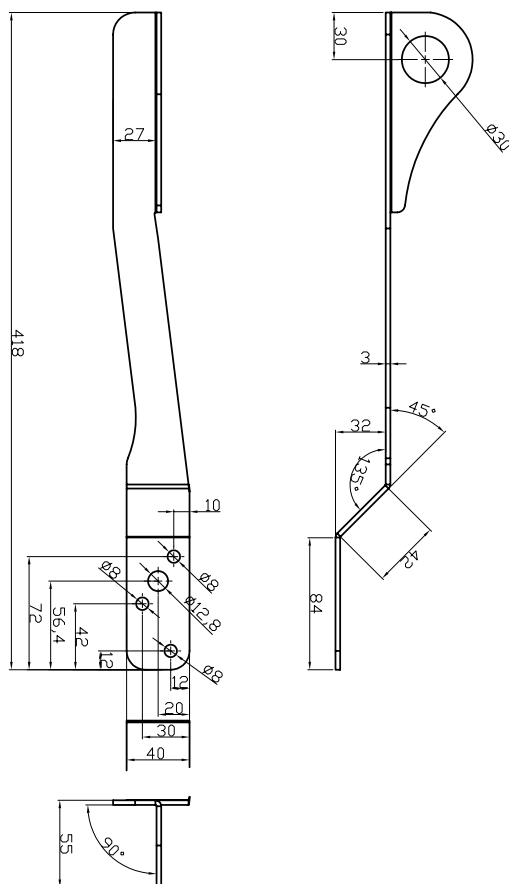
Under-tile roof anchor point

EN 795 TYPE A2

Ref. no.: AT 401



DIMENSIONS



Can be mounted on structures by mechanical, chemical anchors or bolts. Possibility of mounting on wooden structures.

PARAMETERS

Material:	stainless steel
Dimensions:	418 x 194,8 mm
Weight:	0,54 kg
Sheet thickness:	5 mm
Static strength:	min. 10 kN

SPECIAL FEATURES



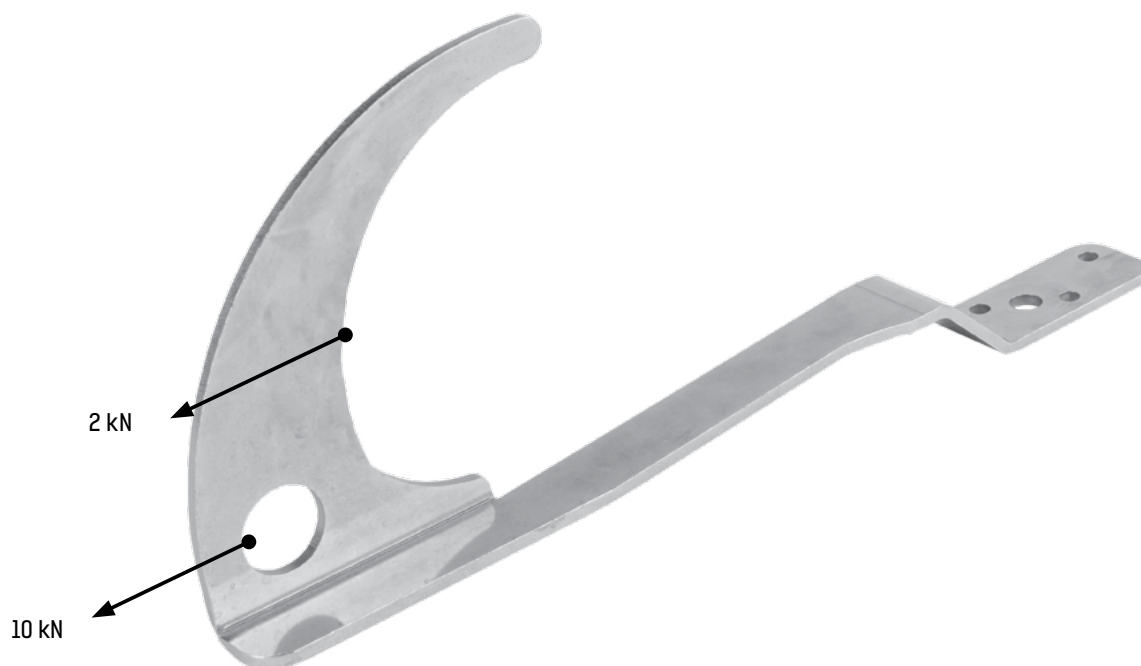
Protection of
1 PERSON

AT 402

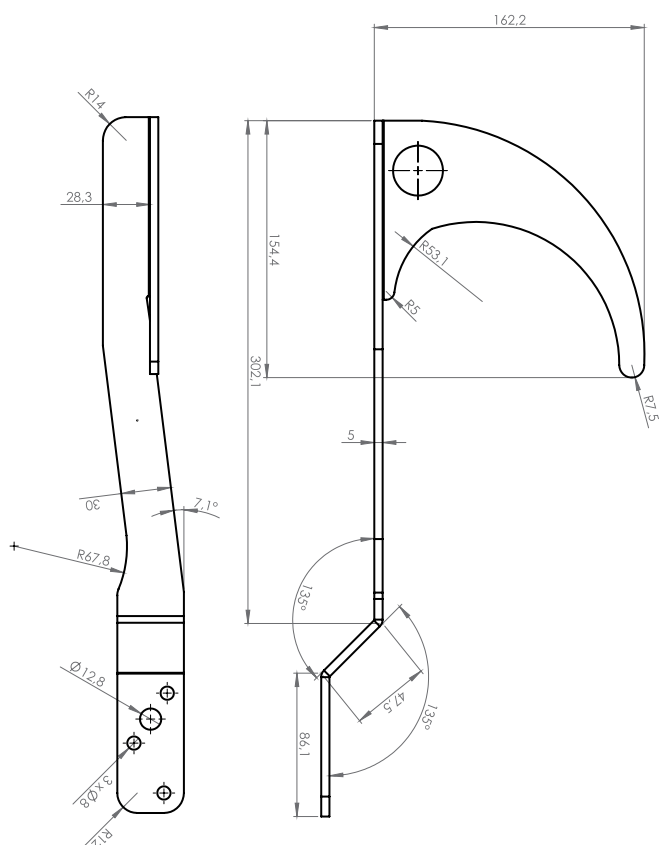
Under-tile roof anchor point with hook

EN 795 TYPE A2

Ref. no.: AT 402



DIMENSIONS



Can be mounted on structures by mechanical, chemical anchors or bolts. Possibility of mounting on wooden structures.

PARAMETERS

Material:	stainless steel
Dimensions:	418 x 194,8 mm
Weight:	0,54 kg
Sheet thickness:	5 mm
Static strength:	min. 10 kN
Permissible dead load:	2 kN

SPECIAL FEATURES



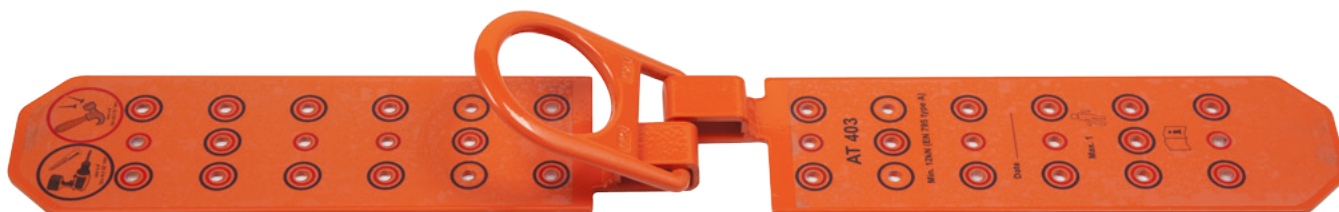
Protection of
1 PERSON

AT 403

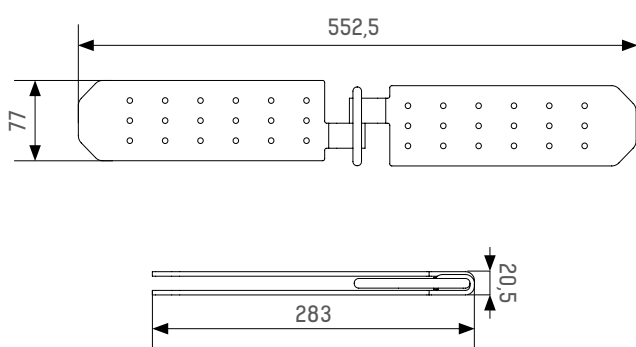
Anchor device

EN795:2012 TYPE A

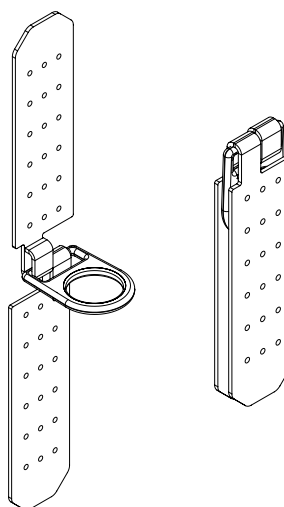
Ref. no.: AT 403



DIMENSIONS



EXPLANATORY FIGURE



Anchor point is an anchor point intended for use with personal fall protection equipment. It is intended for use by one user working on an inclined roof. The device design enables its mounting to rafters on a roof ridge. The point comprises two plates connected by a movable eye hinge. On the plates, there are 36 bores in total for screws or nails. The point complies with EN 795:2012 type A (approved by CIOP (Central Institute for Labour Protection)), however is not subject to the above standard..

PARAMETERS

Weight:	1,5 kg
Material:	zinc-anodized steel
Dimensions:	553 x 82 x 100 mm
Static strength:	min. 12 kN
Minimum wooden beam dimensions:	100 x 100 mm
Minimum anchoring depth:	80 mm

SPECIAL FEATURES



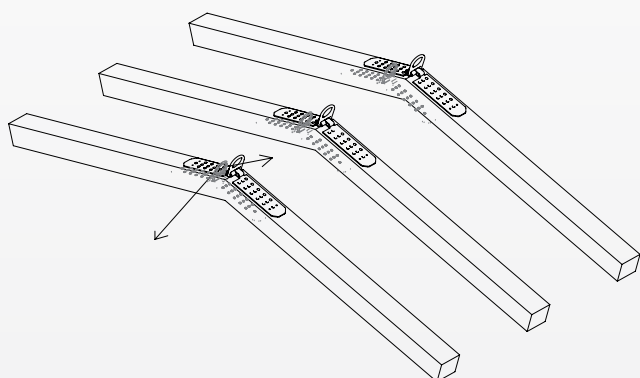
Protection of
1 PERSON


KIT AT 403 001

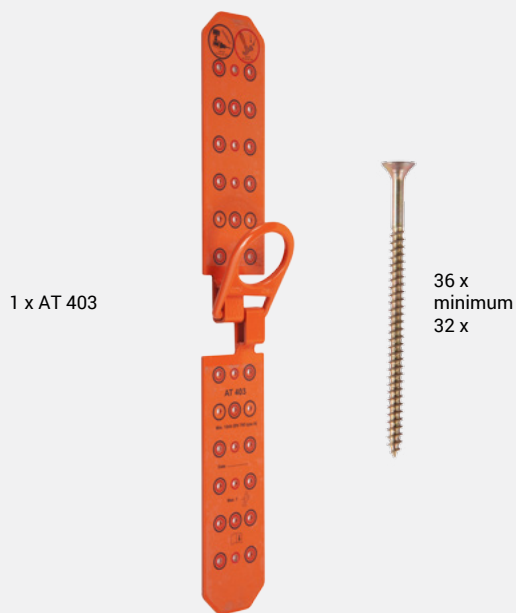
AT 403 + 36 x wood screws diameter min. 4mm type:
KDH/KMH4 0070 4,0x70 PZ-2 - SREW - MET
Philips screwdriver head

Required installation using min. 32x screws.

 INSTALLATION



 THE KIT COMPRISES

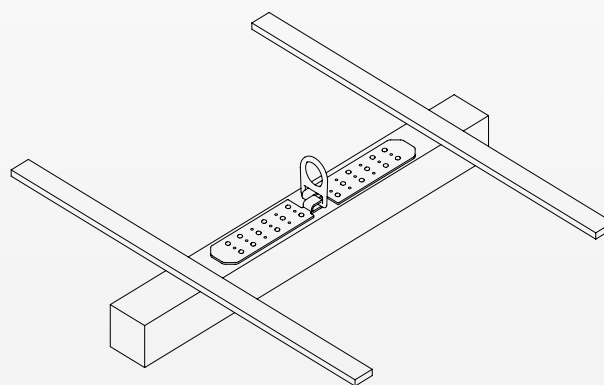


KIT AT 403 002

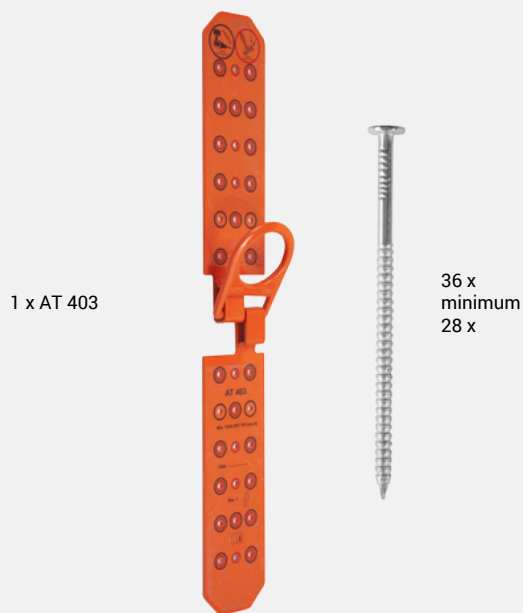
AT 403 + 36x ring shanks, 4mm dia type:
GCOC-40080 - SREW - MET

Required installation using min. 28x shanks.

 INSTALLATION



 THE KIT COMPRISES

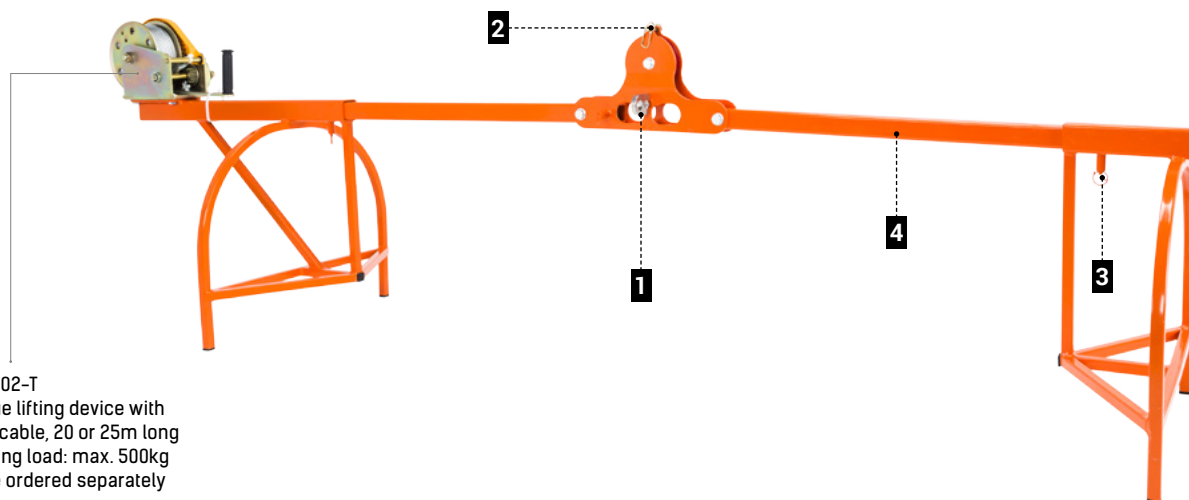


AT 252

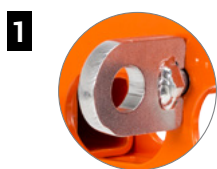
Anchor beam for concrete wells

EN 795 TYPE B

Ref. no.: AT 252



RUP 502-T
rescue lifting device with
steel cable, 20 or 25m long
Working load: max. 500kg
*to be ordered separately



Additional anchor point



Cable-locking pin

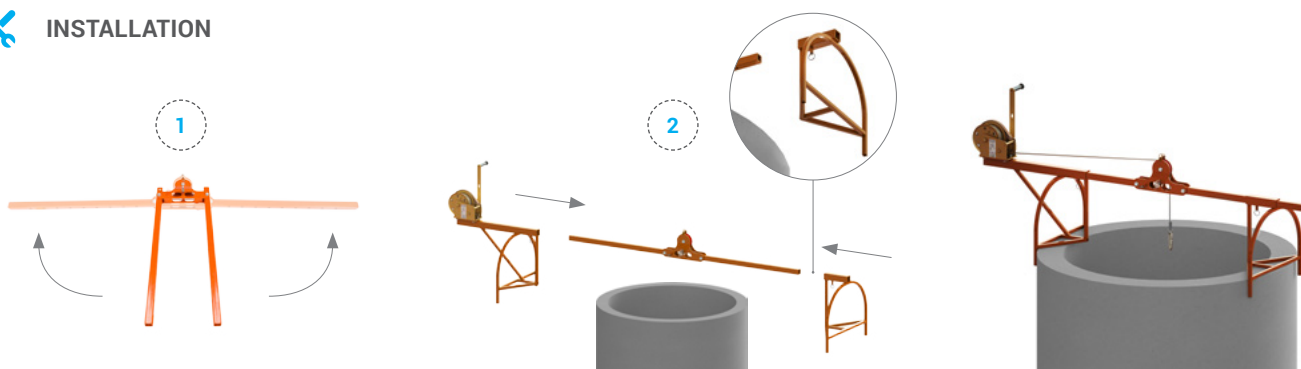


Beam has 9 holes
for span adjustment



Beam-locking pin

INSTALLATION



PARAMETERS

Material:	powder coated steel
Dimensions when folded:	115 x 55 x 65 cm
Weight:	~24 kg (without rescue lifting device)

Anchor device AT 250 is a portable anchor point, suitable for use with an I-beam rail. The rail must be fixed to a permanent structure.

SPECIAL FEATURES



Protection of
1 PERSON

LP 120

Horizontal lifeline

EN 795

Ref. no.: LP 120



Adjustable horizontal lifeline. Fitted with loops with thimble at both ends. Line length adjuster (tensioner) is made of stainless steel. To be used for works requiring frequent mobility in the horizontal. In order to connect horizontal lifeline LP 120 to full body harness, use an energy absorber with lanyard only.

PARAMETERS

Material:	polyamide
Manufacture:	twisted rope
Diameter:	14 mm

DEVICE VERSION	LENGTH
LP 120 10	10,0 m
LP 120 20	20,0 m

AZ 640

Webbing sling

NEW

EN 795:2012 TYPE B

Ref. no.: AZ 640

CE

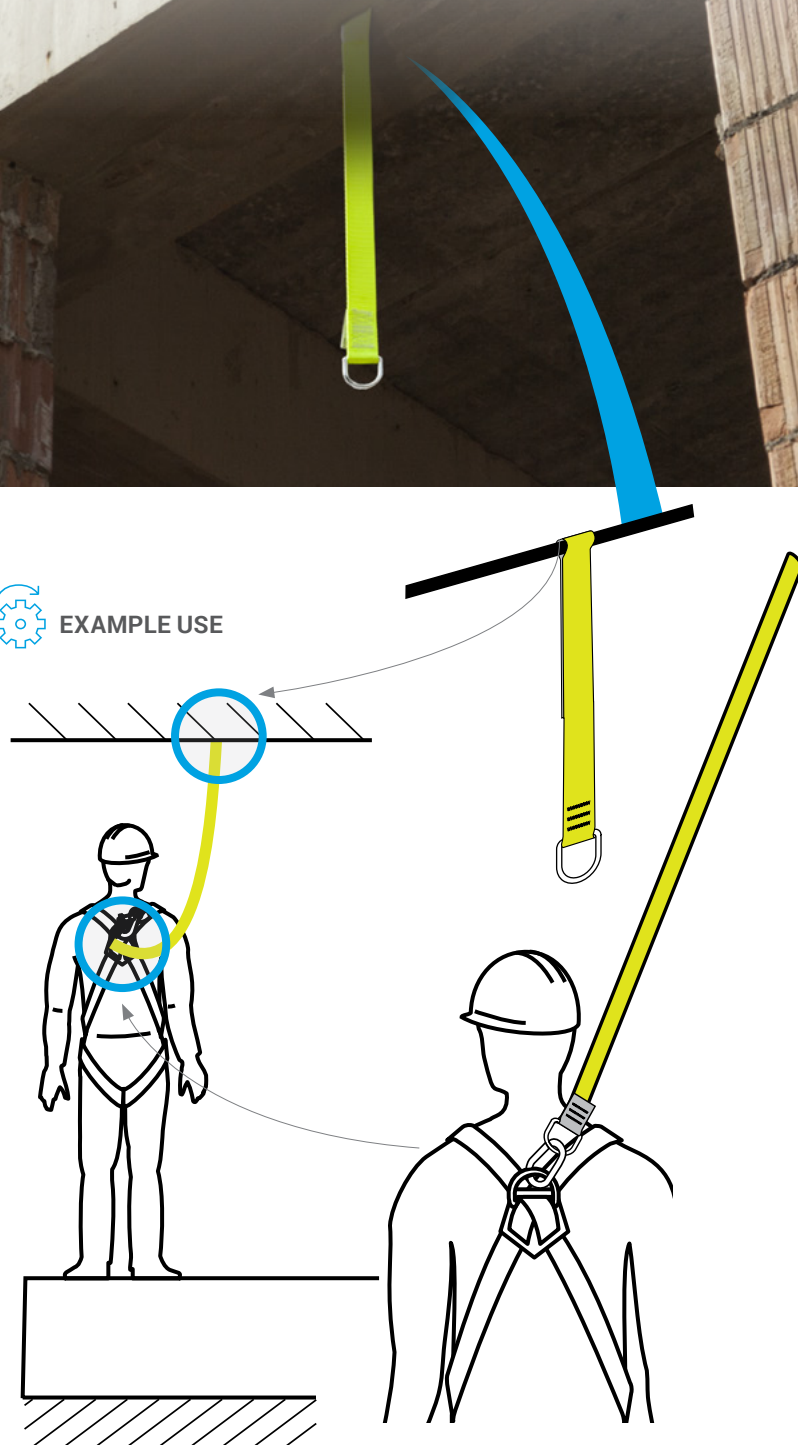


The AZ640 webbing sling is an anchoring device designed to create a point on the construction site ensuring the connection of a safety harness (connection and shock-absorbing system) in the place of risk of falling.

The webbing sling is designed to be installed in the middle of a reinforced concrete structure (reinforced concrete) in order to create a point for fastening safety harnesses and permanent horizontal safety systems. The webbing sling is intended for use by only one employee. The device has been tested and positively certified in accordance with EN 795: 2012 (Fall protection from height, Anchor devices, Requirements and tests, TYPE B). The webbing sling can be used with a self-locking device, in accordance with the EN 360 standard.



EXAMPLE USE



PARAMETERS

Webbing:	polyester, width 45 mm, thickness 2,5 mm
Termination:	polyethylene
Buckle:	galvanized steel

SPECIAL FEATURES

 Protection of 1 PERSON

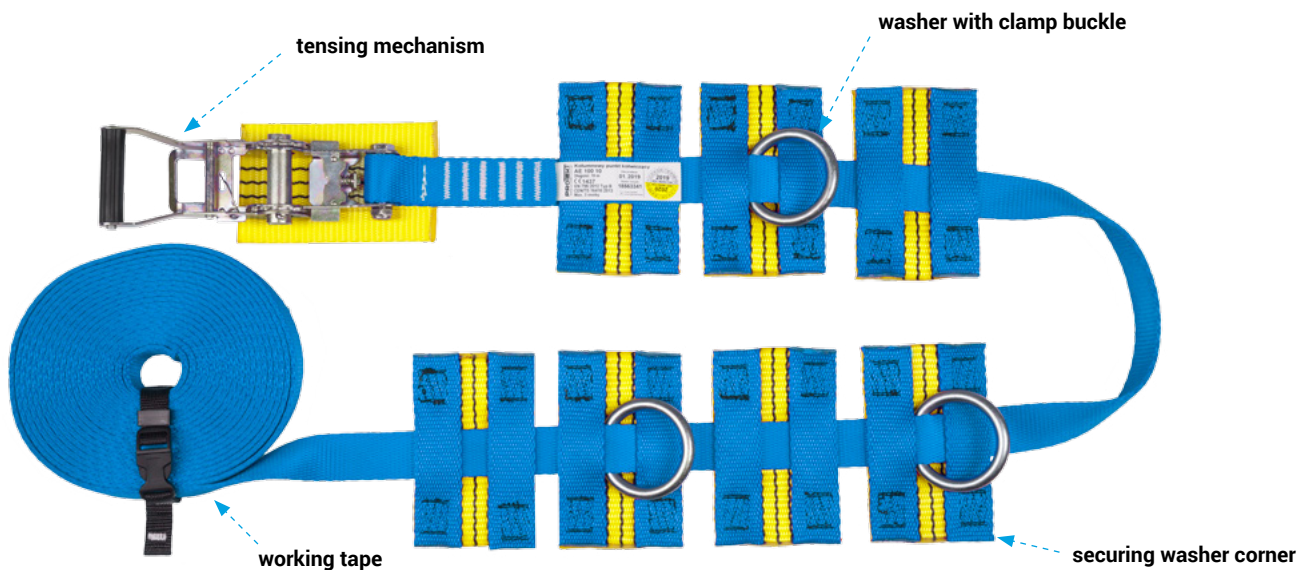
REF. NO.:	LENGTH
AZ 640 05	0,5 m
AZ 640 10	1,0 m
AZ 640 15	1,5 m
AZ 640 20	2,0 m

AE 100

Column anchoring point

EN 795:2012 TYPE B

Ref. no.: AE 100



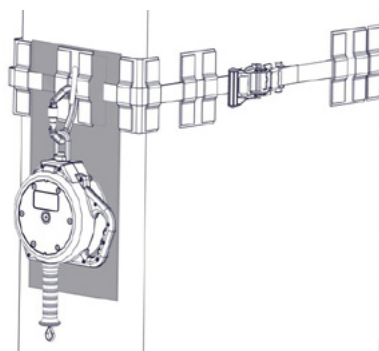
CORNER WASHER
AE 100-001-000



CARRIER BAG



DEVICE COVER FOR RETRACTABLE
TYPE FALL ARRESTER
AE 100-002-000



AE 100 is a new column anchoring point intended for simultaneous connecting of 3 persons. AE 100 can be installed on reinforced concrete, steel posts and skylight constructions. The set consists of: working tape with maximum length of 50 m with tensing mechanism 4 washers to secure the construction 3 washers with clamp buckles type transport bag

DEVICE VERSIONS	LENGTH
AE 100 03	3,0 m
AE 100 05	5,0 m
AE 100 10	10,0 m
AE 100 20	20,0 m
AE 100 30	30,0 m
AE 100 40	40,0 m
AE 100 50	50,0 m
AE 100 -001-000	
AE 100 -002-000	

PARAMETERS

Material:	galvanized steel tapes: polyester
Available lengths:	3 m, 5m, 10 m, 20 m, 30 m, 40,m 50 m
Tape width:	35 mm
Number of users:	3
In accordance with the standard	EN 795:2012 type B / CE

SPECIAL FEATURES



Protection for up to 3 people.



PERMITTED TO WORK IN POTENTIALLY EXPLOSIVE AREAS

AE 320

Safety horizontal webbing

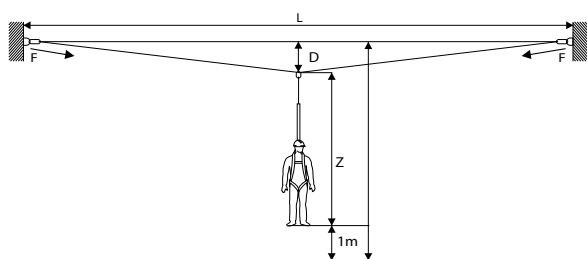
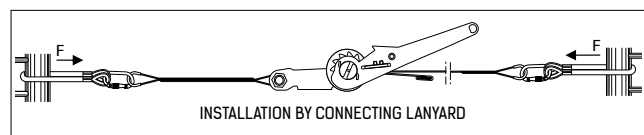
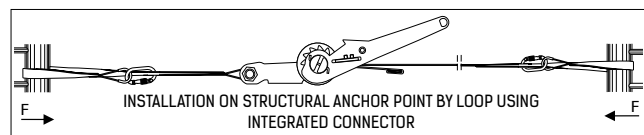
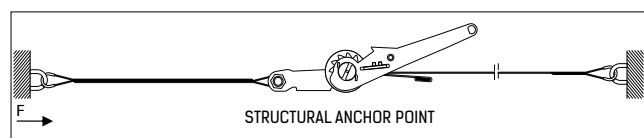
EN 795

Ref. no.: AE 320



ASSEMBLY

Horizontal webbing can be attached to a structural anchor point directly or by a loop using the integrated connector, or by connecting lanyard. Minimum loads at both webbing sides: 18 kN for one user, 20 kN for 2 and 3 users.



L[m] - total length of relaxed webbing AE 320
 D[m]* - webbing AE 320 deflection during falling
 Z[m] - maximum elongation of connecting and absorbing device + user height = 5.5m

CLR[m] - required distance = D+Z+1m

Adjustable horizontal lifeline (horizontal fall protection line). The device is delivered with two steel connectors AZ 060 and cargo bag. To be used for works requiring frequent mobility in the horizontal.

The device AE 320 complies with EN 795 type B (portable anchor points). The device AE 320 is intended for protection of 3 users at a time.

PARAMETERS

Material: webbing - polyester
 webbing tensioner/length adjuster - steel protected against corrosion by galvanization

DEVICE VERSIONS	LENGTH	WEIGHT
AE 320 10	10,0 m	4,00 kg
AE 320 20	20,0 m	5,20 kg

SPECIAL FEATURES



	← L →											
	5 m - 7,5 m		> 7,5 m - 10 m		> 10 m - 12,5 m		> 12,5 m - 15 m		> 15 m - 17,5 m		> 17,5 m - 20 m	
	D [m]	F [kN]	D [m]	F [kN]	D [m]	F [kN]	D [m]	F [kN]	D [m]	F [kN]	D [m]	F [kN]
1	1,00	18,00	1,30	18,00	1,60	18,00	1,90	18,00	2,20	18,00	2,40	18,00
2 - 3	1,20	20,00	1,60	20,00	2,00	20,00	2,30	20,00	2,70	20,00	3,00	20,00

AE 321

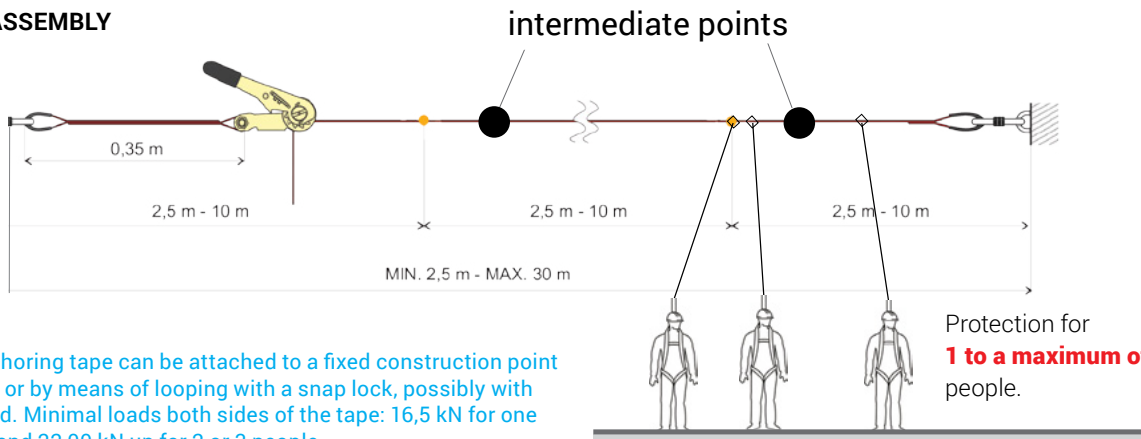
Adjustable horizontal anchor rope

EN795:2012/B
CEN/TS 16415:2013/B

ref. no.: AE321 XX



ASSEMBLY



The anchoring tape can be attached to a fixed construction point directly, or by means of looping with a snap lock, possibly with a lanyard. Minimal loads both sides of the tape: 16,5 kN for one person and 22,00 kN up for 2 or 3 people.

As intermediate points you can use snap-locks that meet the load requirements of 14.5 kN.

Horizontal anchoring rope (horizontal safety rope) with adjustable length. A transport bag is enclosed in the set with the device. The device is used to provide protection during works that require frequent movement in a horizontal plane. The AE 321 rope meets the requirements of EN 795: 2012 type B (portable anchoring points for equipment) and CEN/TS 16415:2013/B. The AE 321 device is intended for simultaneous protection of 1 to 3 people. It can work with the set EN 345/355 and EN 353-2, EN 360. As intermediate points you can use snap-locks that meet the load requirements of 14.5 kN.

SPECIAL FEATURES



Protection for up to 3 people.



PREMITTED TO WORK IN POTENTIALLY EXPLOSIVE AREAS

PARAMETERS

Maximum number users:	3 persons
Maximal length:	30 m, 20m, 10m
Minimal length:	2,5 m
Material:	tape - polyester belt tensioner / regulator - galvanized steel zabezpieczona przed korozją

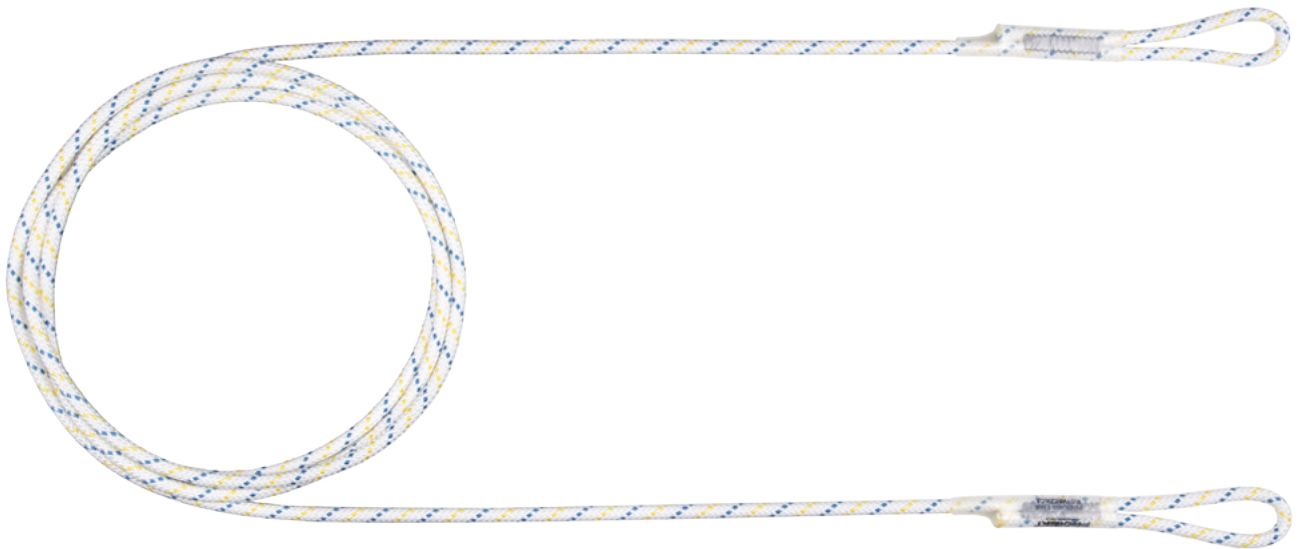
VERSIONS OF THE DEVICE	LENGTH
AE 321 10	10 m
AE 321 20	20 m
AE 321 30	30 m

LP 100 LL

Horizontal lifeline

EN 795

Ref. no.: LP 100 LL



Kernmantle polyamide horizontal lifeline, 10.5mm dia, fitted with thimbles at both endings. To be used for works requiring frequent mobility in the horizontal.

PARAMETERS

Material:	polyamide
Manufacture:	kernmantle rope
Diameter:	10,5 mm

SPECIAL FEATURES



PREMITTED TO WORK IN
POTENTIALLY EXPLOSIVE AREAS

DEVICE VERSIONS

LENGTH

LP 100 LL	2,5 m
LP 100 LL	5,0 m
LP 100 LL	8,0 m
LP 100 LL	10 m
LP 100 LL	15 m
LP 100 LL	20 m
LP 100 LL	25 m
LP 100 LL	30 m

AE 300

Horizontal lifeline

EN 795

Ref. no.: AE 300



PRODUCT
PRESENTATION

protekt.co/ae300



Adjustable horizontal lifeline (horizontal fall protection line). Fitted with loops with thimble at both endings. Line length adjuster (tensioner) is made of galvanized steel. To be used for works requiring frequent mobility in the horizontal. Horizontal lifeline AE 300 complies with EN 795 (portable anchor points for fall protection equipment). In order to connect horizontal anchor line AE 300 to full body harness, use an energy absorber with lanyard only. Line tensioning wrench included.

PARAMETERS

Material:	polyamide
Manufacture:	twisted rope
Diameter:	16 mm

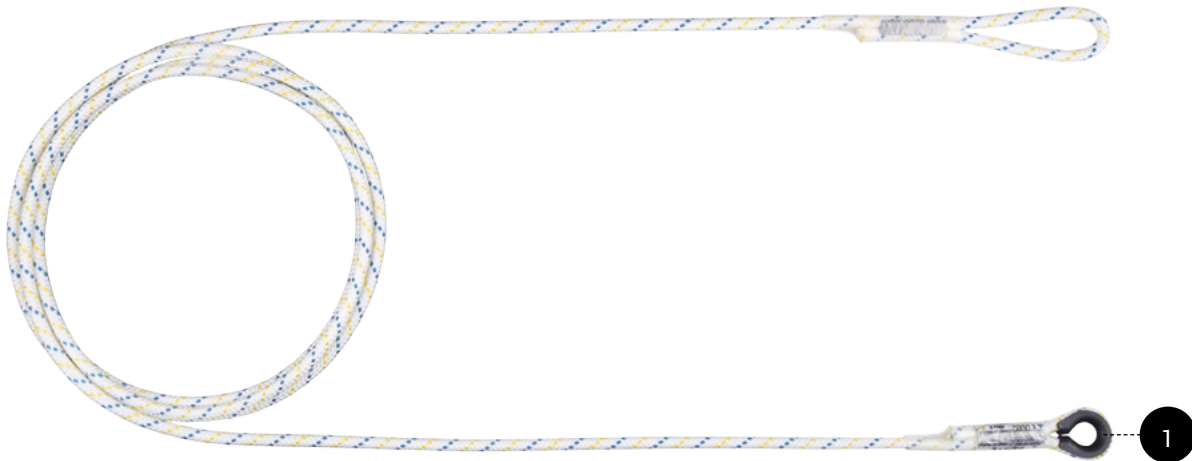
DEVICE VERSIONS	LENGTH	WEIGHT
AE 300 10	10,0 m	3,70 kg
AE 300 20	20,0 m	5,15 kg

LP 100 LT

Horizontal lifeline

EN 795

Ref. no.: LP 100 LT



PARAMETERS

Material:	polyamide
Manufacture:	kernmantle rope
Diameter:	10,5 mm

SPECIAL FEATURES



PREMITTED TO WORK IN
POTENTIALLY EXPLOSIVE AREAS

HORIZONTAL LINE WITHOUT CONNECTORS

LP 100 LT

Ref. no.: LP 100 LT

Horizontal lifeline ended
with loop and thimble.
WITHOUT CONNECTORS

2,5 m	15 m
5,0 m	20 m
8,0 m	25 m
10 m	30 m

DEVICE STANDARD CONFIGURATIONS WITH FACTORY-FITTED CONNECTOR

NEW CONNECTOR AZ 029

1



LP 100 LT + AZ 002

Ref. no.: LP 100 LT + AZ 002

Horizontal lifeline ended with
loop and thimble.
Factory-fitted steel
connector:

- AZ 002 (opening 18mm)

2,5 m
5,0 m
8,0 m
10 m
15 m
20 m
25 m
30 m

1



LP 100 LT + AZ 029

Ref. no.: LP 100 LT + AZ 029

Horizontal lifeline ended with
loop and thimble.

Factory-fitted steel
connector:

- AZ 029 (galvanized steel,
plastic, opening 50mm)

2,5 m
5,0 m
8,0 m
10 m
15 m
20 m
25 m
30 m

LP 100 LT + AZ 003

Ref. no.: LP 100 LT + AZ 003



Horizontal lifeline ended with
loop and thimble.
Factory-fitted steel
connector:

- AZ 003 (opening 20mm)

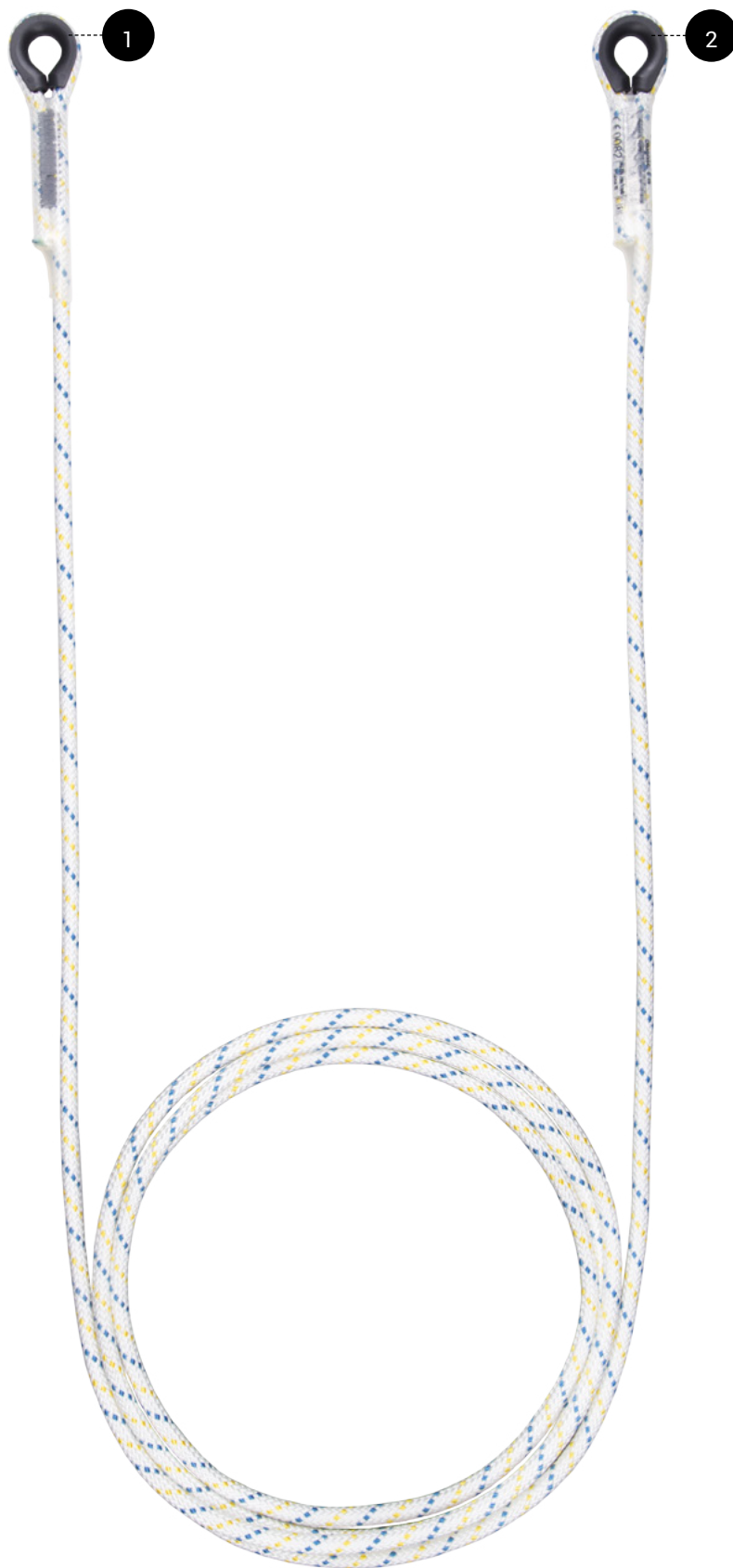
2,5 m
5,0 m
8,0 m
10 m
15 m
20 m
25 m
30 m

LP 100 TT

Horizontal lifeline

EN 795

Ref. no.: LP 100 TT



Horizontal lifeline ended with thimbles at both ends. To be used for works requiring frequent mobility in the horizontal.

PARAMETERS

Material:	polyamide
Manufacture:	kernmantle rope
Diameter:	10,5 mm

SPECIAL FEATURES



PREMITTED TO WORK IN
POTENTIALLY EXPLOSIVE AREAS

HORIZONTAL LINE WITHOUT CONNECTORS

LP 100 TT

Ref. no. LP 100 TT	2,5 m	15 m
Horizontal lifeline ended with thimbles at both ends.	5,0 m	20 m
WITHOUT CONNECTORS	8,0 m	25 m
	10 m	30 m

STANDARD DEVICE CONFIGURATIONS WITH FACTORY-FITTED CONNECTOR

N NEW CONNECTOR AZ 029

1

2

**LP 100 TT
+ 2 x AZ 002**

Ref. no. LP 100 TT + 2xAZ 002



Horizontal lifeline ended with loop and thimble.

Factory-fitted steel connectors:

- AZ 002 (opening 18mm)

2,5 m
5,0 m
8,0 m
10 m
15 m
20 m
25 m
30 m

1

2

**LP 100 TT
+ 2 x AZ 003**

Ref. no. P 100 TT + 2xAZ 003



Horizontal lifeline ended with thimbles at both ends.

Factory-fitted aluminium connectors:

- AZ 003 (opening 20mm)

2,5 m
5,0 m
8,0 m
10 m
15 m
20 m
25 m
30 m

N

**LP 100 TT
+ 2 x AZ 029**

Ref. no. LP 100 TT + 2xAZ 029



Horizontal lifeline ended with thimbles at both ends.

Factory-fitted steel connectors:

- AZ 029 (opening 50mm)

2,5 m
5,0 m
8,0 m
10 m
15 m
20 m
25 m
30 m

N

**LP 100 TT
+ AZ 002 + AZ 029**

Ref. no. LP 100 TT + AZ 002 + AZ 029



Horizontal lifeline ended with thimbles at both ends.

Factory-fitted steel connectors:

- AZ 029 (opening 50mm)
- AZ 002 (opening 18mm)

2,5 m
5,0 m
8,0 m
10 m
15 m
20 m
25 m
30 m

LP 200 FLR

Horizontal lifeline, flame-resistant

EN 795, EN 358 P.4.1.5

Ref. no.: LP 200 FLR



DEVICE STANDARD CONFIGURATIONS

1	2		
		Ref. no. LP200FLR/AZ002	5 m
		Horizontal lifeline with adjuster LP 200 FLR with connector	10 m
		AZ 002 (galvanized steel, opening 18mm)	20 m
		Ref. no. LP200FLR/AZ003	5 m
		Horizontal lifeline with adjuster LP 200 FLR with connector	10 m
		AZ 003 (aluminium, opening 20mm)	20 m
		Ref. no. LP200FLR/AZ002/AZ029	5 m
		Horizontal lifeline with adjuster LP 200 FLR with connector	10 m
		AZ 029 (galvanized steel, opening 50mm)	20 m
		Ref. no. LP200FLR/AZ002/AZ011	5 m
		Horizontal lifeline with adjuster LP 200 FLR with connectors	10 m
		AZ 002 (galvanized steel, opening 18mm)	20 m
		AZ 011 (galvanized steel, opening 18mm)	
		Ref. no. LP200FLR/AZ029/AZ011	5 m
		Horizontal lifeline with adjuster LP 200 FLR with connector	10 m
		AZ 029 (galvanized steel, opening 50mm)	20 m
		AZ 011 (galvanized steel, opening 18mm)	
		Ref. no. LP200FLR/2AZ003	5 m
		Horizontal lifeline with adjuster LP 200 FLR with connector	10 m
		2 x AZ 003 (aluminium, opening 20mm)	20 m
		Ref. no. LP200FLR/AZ029/AZ003	5 m
		Horizontal lifeline with adjuster LP 200 FLR with connector	10 m
		AZ 029 (galvanized steel, opening 50mm)	20 m
		AZ 003 (aluminium, opening 20mm)	
		Ref. no. LP200FLR/2AZ029	5 m
		Horizontal lifeline with adjuster LP 200 FLR with connector	10 m
		2 x AZ 029 (galvanized steel, opening 50mm)	20 m
		Ref. no. LB200FLR	5 m
		Horizontal lifeline with adjuster LP 200 FLR	10 m
		WITHOUT CONNECTORS	20 m

PARAMETERS

Material:	polyamide
Manufacture:	aramid kernmantle lanyard
Diameter:	11,2 mm

SPECIAL FEATURES



PREMITTED TO WORK IN POTENTIALLY EXPLOSIVE AREAS



RESISTANCE TO FLAME IN ACCORDANCE WITH EN 358 P.4.1.5 STANDARD

AZ 700

Webbing sling

EN 795 TYPE B



PRODUCT
PRESENTATION

protekt.co/az700



Ref. no.: **AZ 700**



Webbing sling AZ 700 is formed by polyamide webbing 45mm wide. Inner side of the sling has non-slip rubber protective coating. It is suitable for protection of 3 users at a time with device AE 320.

PARAMETERS

Material:	polyester, rubber, galvanized steel
Webbing width:	45 mm
Static strength:	30 kN

DEVICE VERSIONS	LENGTH
AZ 700 090	90 cm
AZ 700 140	140 cm
AZ 700 200	200 cm

SPECIAL FEATURES



Protection of
1 PERSON



PERMITTED TO WORK IN
POTENTIALLY EXPLOSIVE AREAS

AZ 410

Connecting lanyard

EN 354, EN 795 TYP B



PRODUCT
PRESENTATION

protekt.co/az410



Ref. no.: **AZ 410, AZ 430**



Connecting lanyard AZ 410 is a component of fall protection equipment. When combined with an energy absorber (e.g. ABM) forms a connecting and absorbing device. Connecting lanyard is a portable anchor point complying with EN 795/B. Connecting lanyard AZ 430 is a portable anchor point complying with EN 795/B. It is suitable for protection of 3 users at a time with device AE 320. Material: galvanized steel cable, 6.3mm dia, fitted with loops with thimbles at both endings. The middle part of the lanyard is protected by a transparent plastic tube.

PARAMETERS

Material:	steel
Manufacture:	kernmantle rope
Diameter:	6,3 mm

DEVICE VERSIONS	LENGTH
AZ 410	1,0 m
AZ 410	2,0 m
AZ 430	3,0 m
AZ 430	5,0 m
AZ 430	10,0 m

SPECIAL FEATURES



Protection of
1 PERSON



PERMITTED TO WORK IN
POTENTIALLY EXPLOSIVE AREAS

AZ 900

Webbing sling

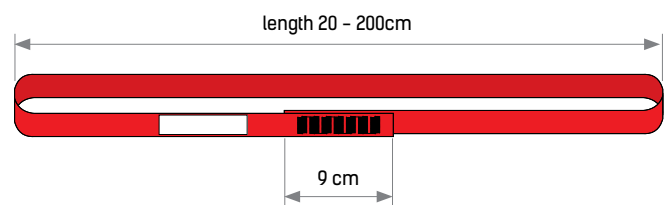
EN 354, EN 566, EN 795 TYPE B

Ref. no.: AZ 900



Webbing sling AZ 900 is:

1. a component of fall protection equipment – when combined with an energy absorber (e.g. ABM) forms connecting and absorbing device complying with EN 354,
2. a component of fall protection equipment, intended for connection of connecting and absorbing device to a structural anchor point.



PARAMETERS

Material:	textile webbing
Webbing width:	20 mm
Length:	30 cm ÷ 200 cm

SPECIAL FEATURES



LENGTH

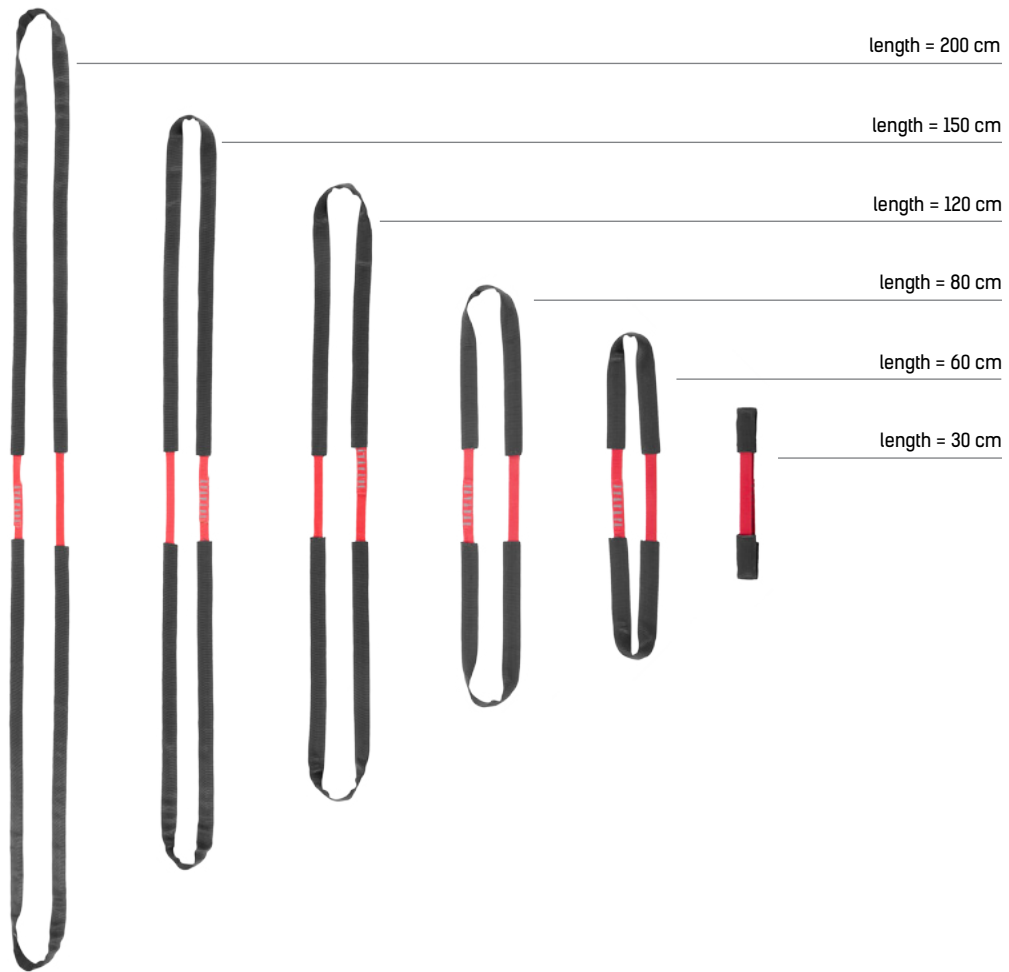
- 30 cm
- 60 cm
- 80 cm
- 120 cm
- 150 cm
- 200 cm

AZ 900

Webbing sling

EN 354, EN 566, EN 795 TYPE B

Ref. no.: AZ 900



Webbing sling AZ 900 is: component of fall protection equipment – when combined with an energy absorber (e.g. ABM) forms connecting and absorbing device complying with EN 354, a component of fall protection equipment, designed to connect connecting and absorbing device to a structural anchor point.

PARAMETERS

Material:	webbing - textile webbing sleeve - polyester
Webbing width:	20 mm
Protective sleeve width:	35 mm
Length:	30 cm ÷ 200 cm

LENGTH

30 cm

60 cm

80 cm

120 cm

150 cm

200 cm

SPECIAL FEATURES



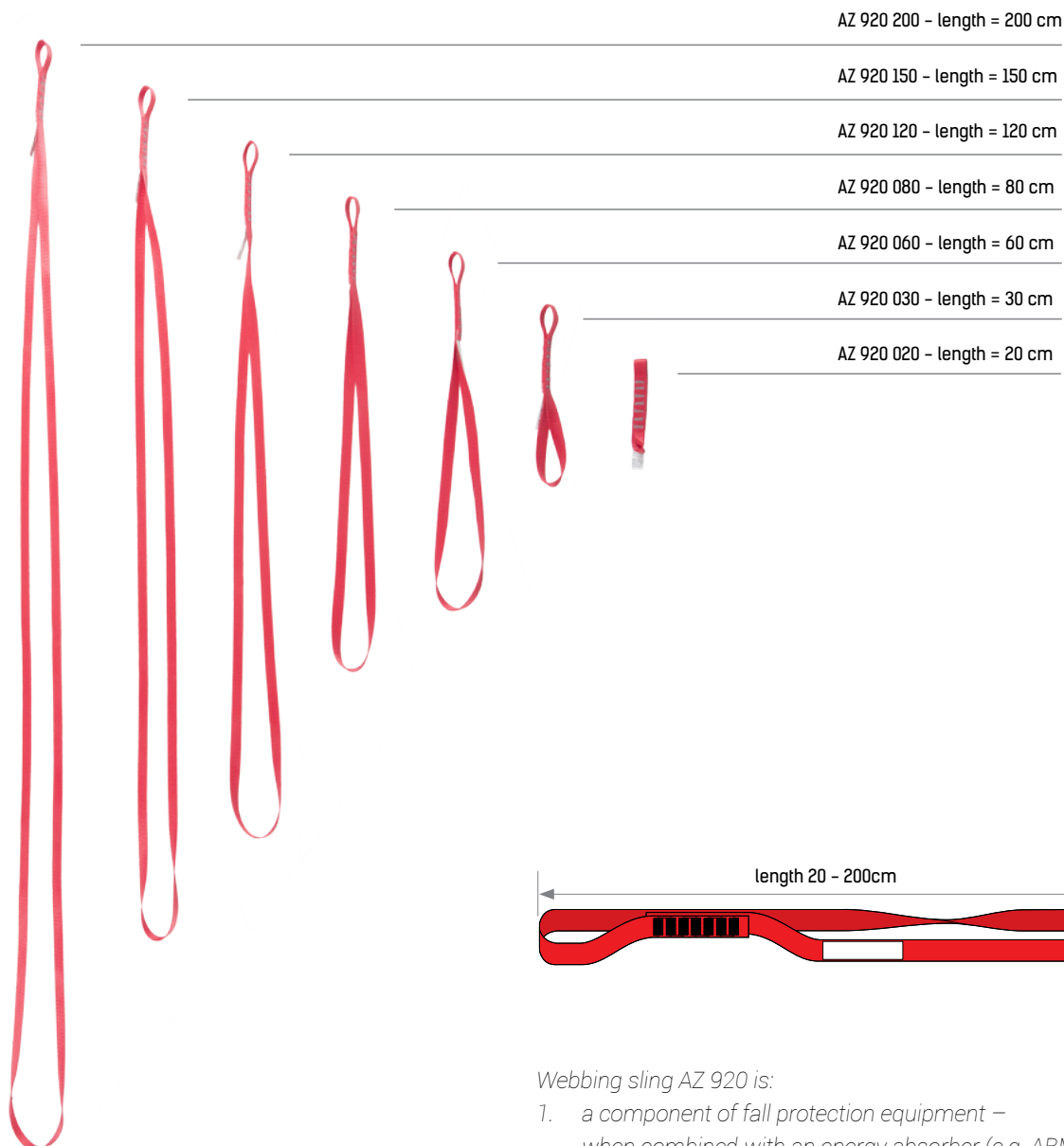
PERMITTED TO WORK IN
POTENTIALLY EXPLOSIVE AREAS

AZ 920

Webbing sling

EN 354, EN 566, EN 795 TYPE B

Ref. no.: AZ 920



AZ 920 200 - length = 200 cm

AZ 920 150 - length = 150 cm

AZ 920 120 - length = 120 cm

AZ 920 080 - length = 80 cm

AZ 920 060 - length = 60 cm

AZ 920 030 - length = 30 cm

AZ 920 020 - length = 20 cm

length 20 - 200cm

PARAMETERS

Material:	textile webbing
Webbing width:	20 mm
Length:	20 cm ÷ 2 m

SPECIAL FEATURES



Webbing sling AZ 920 is:

1. a component of fall protection equipment – when combined with an energy absorber (e.g. ABM) forms connecting and absorbing device complying with EN 354,
2. a component of fall protection equipment, intended for connection of connecting and absorbing device to a structural anchor point.

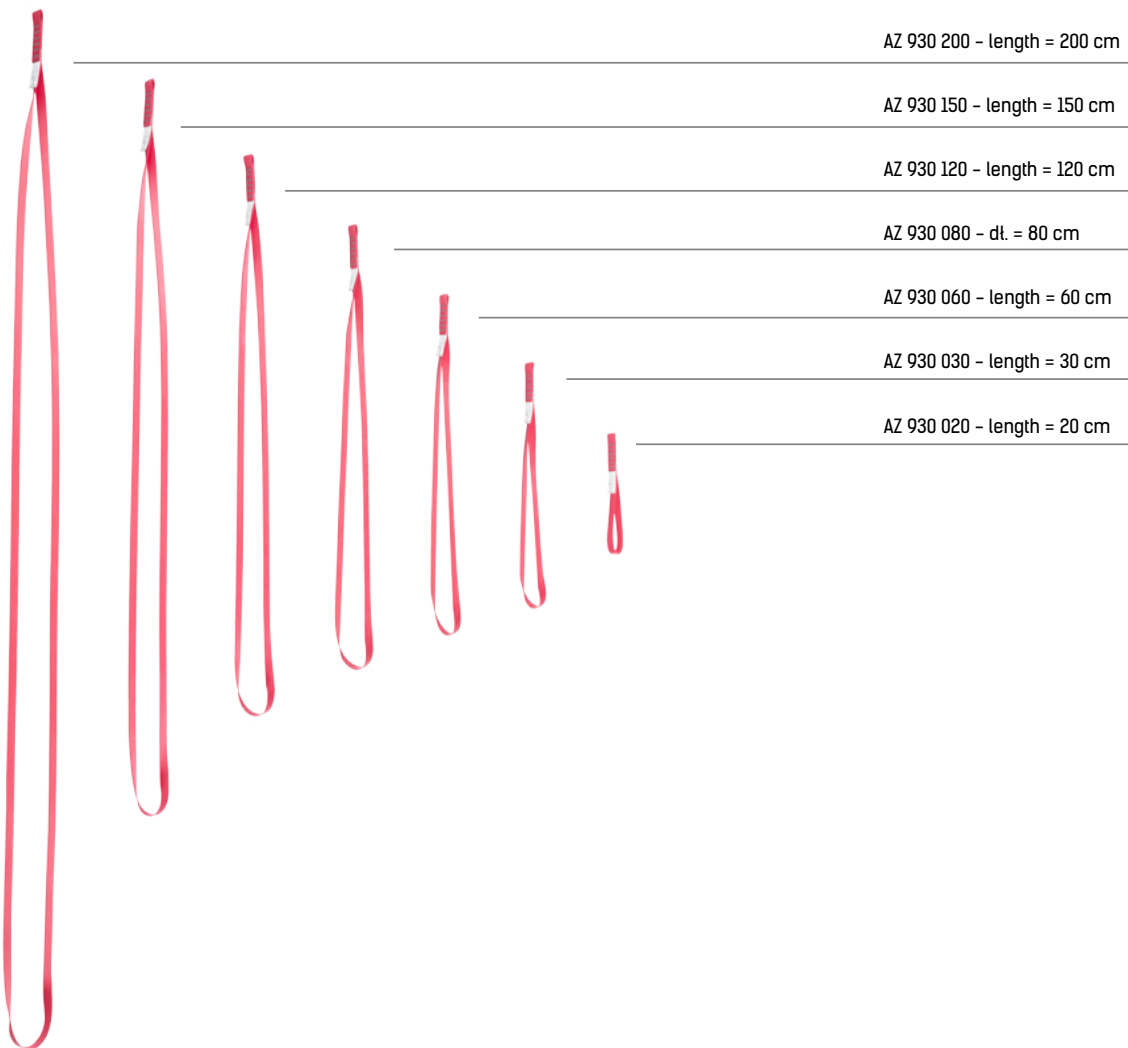
LENGTH	LENGTH
20 cm	120 cm
30 cm	150 cm
60 cm	200 cm
80 cm	

AZ 930

Webbing sling

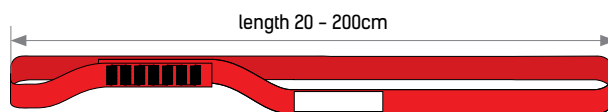
EN 354, EN 566, EN 795 TYPE B

Ref. no.: AZ 930



Webbing sling AZ 930 is:

1. a component of fall protection equipment – when combined with an energy absorber (e.g. ABM) forms connecting and absorbing device complying with EN 354,
2. a component of fall protection equipment, intended for connection of connecting and absorbing device to a structural anchor point.



PARAMETERS

Material:	textile webbing
Webbing width:	20 mm
Length:	20 cm ÷ 2 m

SPECIAL FEATURES



LENGTH

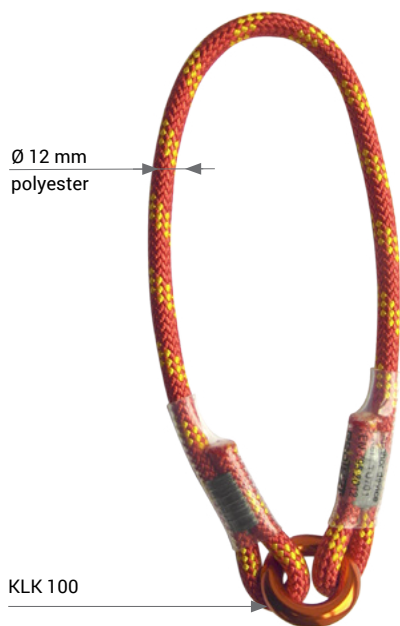
- 30 cm
- 60 cm
- 80 cm
- 120 cm
- 150 cm
- 200 cm

TU 701

Prusik

EN 795

Ref. no.: TU 701



SPECIAL FEATURES



PARAMETERS

Material:	polyester
Rope diameter:	Ø 12 mm
Lengths:	80 cm, 85 cm, 90 cm, 100 cm

LENGTH

80 cm

85 cm

90 cm

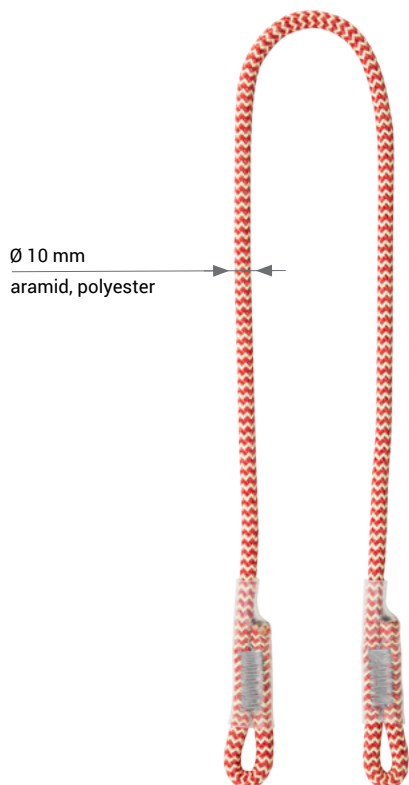
100 cm

TU 810

Prusik

EN 795 TYPE B

Ref. no.: TU 810



PARAMETERS

Material:	aramid, polyester
Rope diameter:	Ø 10 mm
Lengths:	80 cm, 85 cm, 90 cm, 100 cm

SPECIAL FEATURES



LENGTH

80 cm

85 cm

90 cm

100 cm

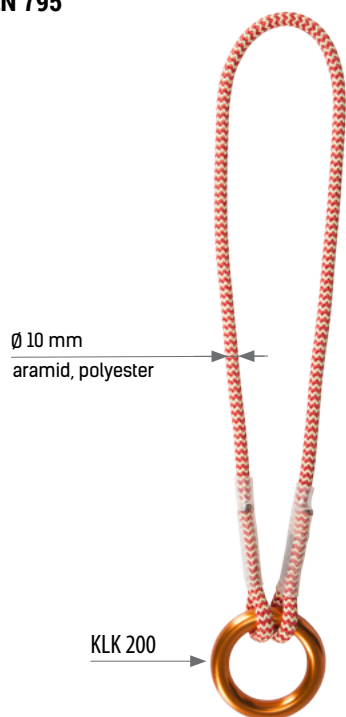
TU 811

Prusik

EN 795

Ref. no.: TU 811

CE



SPECIAL FEATURES



PARAMETERS

Material:	aramid, polyester
Rope diameter:	Ø 10 mm
Lengths:	80 cm, 85 cm, 90 cm, 100 cm

LENGTH

80 cm

85 cm

90 cm

100 cm

TU 812

Prusik

EN 795 TYPE B

Ref. no.: TU 812

CE



PARAMETERS

Material:	aramid, polyester
Rope diameter:	Ø 10 mm
Lengths:	80 cm, 85 cm, 90 cm, 100 cm

SPECIAL FEATURES



LENGTH

80 cm

85 cm

90 cm

100 cm



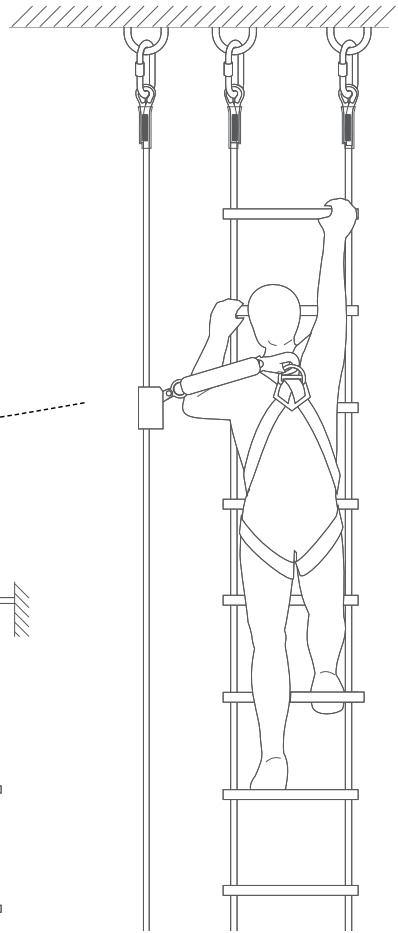
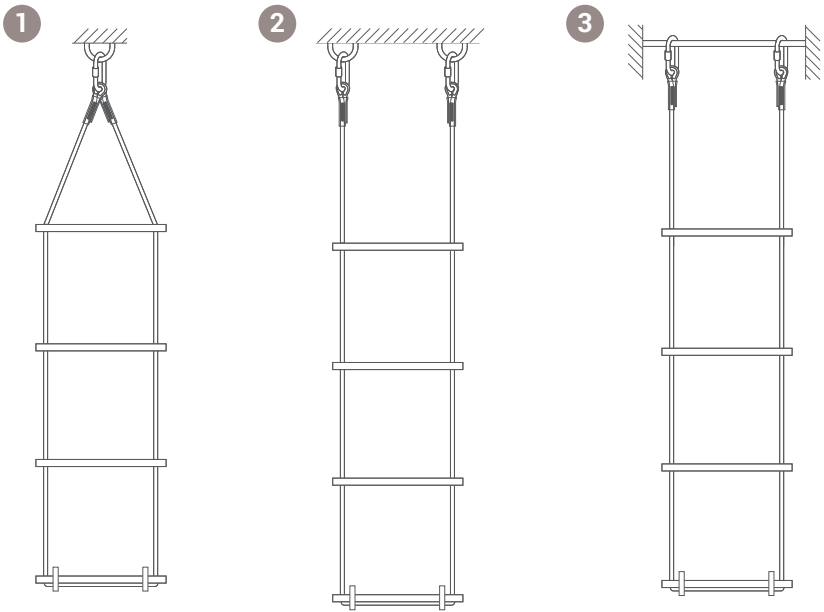


Ladders, scaffolds and platforms

Rope ladders	13 - 2
Telescopic ladders	13 - 14
Double-sided and combined ladders	13 - 18
Scaffolds	13 - 23
Mobile platforms	13 - 26

DL ROPE LADDERS

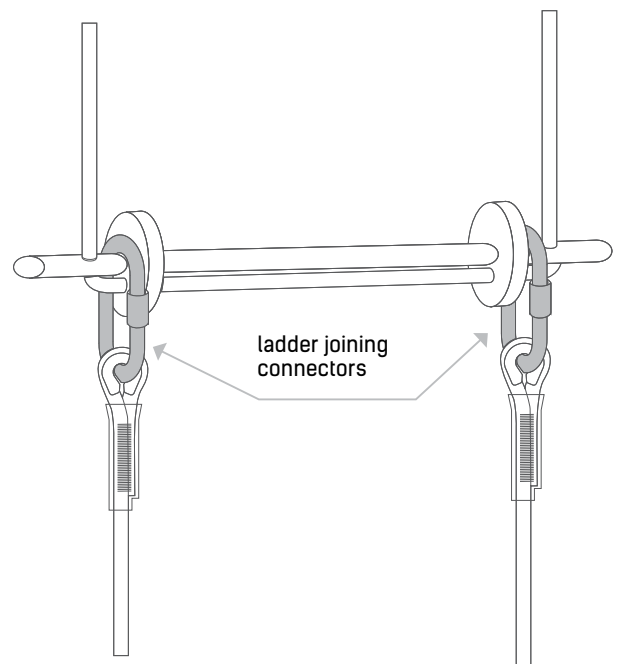
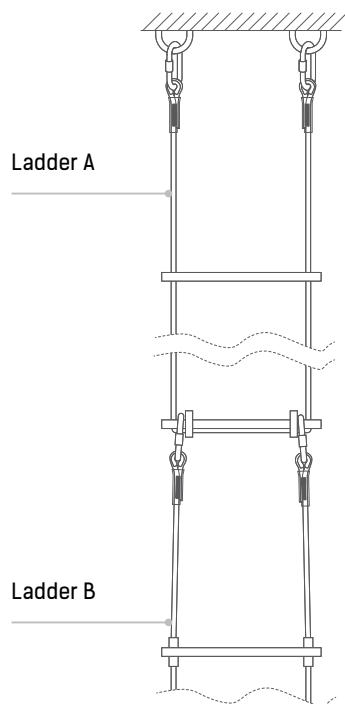
METHODS OF ATTACHING ROPE LADDERS



ROPE LADDERS OF THE SAME TYPE CAN BE COMBINED IN SERIES

Join ultimate rung of a ladder to attachment loops of the other ladder by two connectors, 10cm (+/- 2cm) long. Each connector should be joined to the rung between retaining ring and rope fastener.

Maximum length of an assembly comprising a number of joined ladders cannot be greater than 100m.



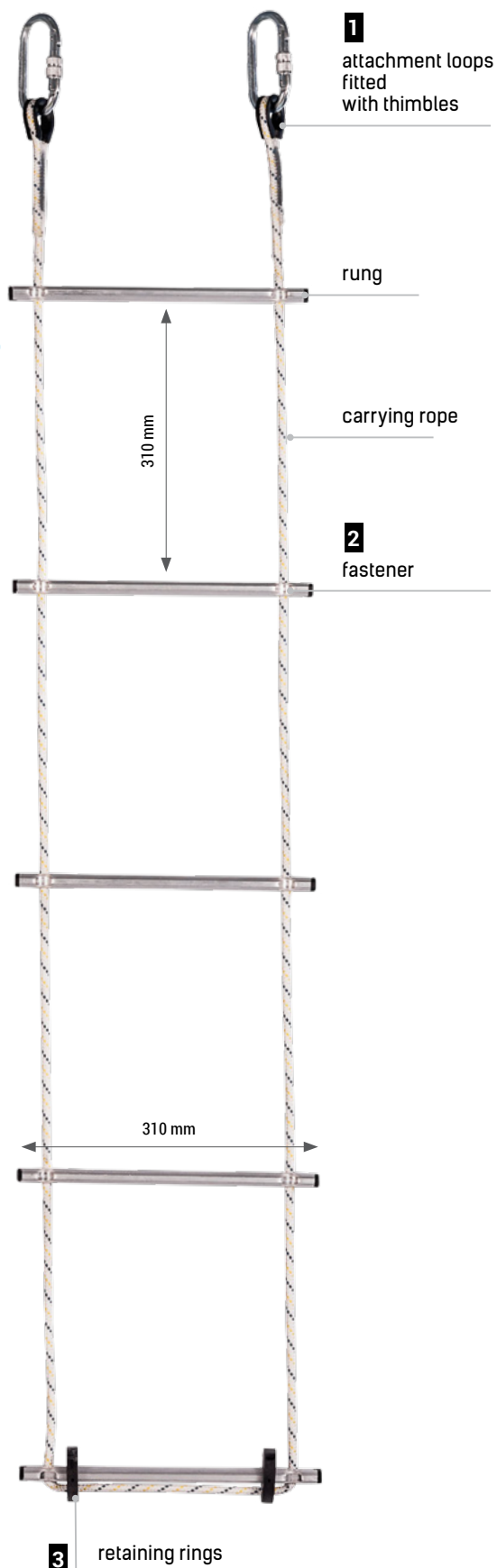
DL 010

Wide rope ladder – polyester

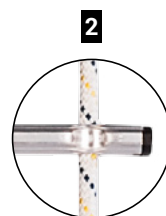
PN-83/W-52501-CLAUSE 8

Ref. no.: DL 010

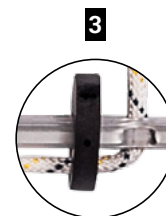
HOW TO USE?



attachment loops fitted with thimbles



fasteners



retaining rings

Ladder conforms with PN-83/W-52501 - clause 8, Certificate No. Z/02/013/17, issued by the Institute of Mechanised Construction and Rock Mining in Warsaw.

PARAMETERS

Material:	rungs - aluminium rope - polyester \varnothing 8mm
Manufacture:	width - 310 mm rung spacing:- 310 mm
Weight:	0.55kg - 1 r.m.

SPECIAL FEATURES



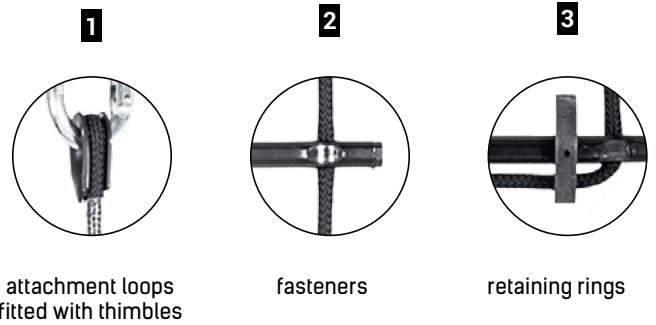
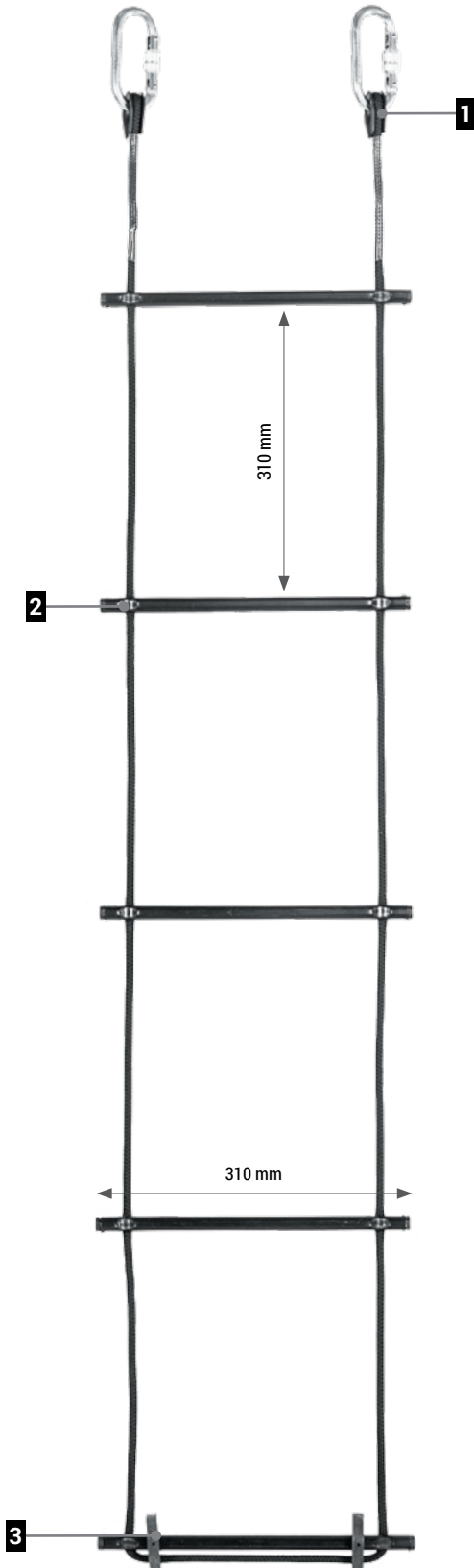
PERMITTED TO WORK IN
POTENTIALLY EXPLOSIVE AREAS

DL 010C

Wide rope ladder – polyester

PN-83/W-52501-CLAUSE 8

Ref. no.: DL 010C



1 attachment loops fitted with thimbles

2 fasteners

3 retaining rings

Ladder conforms with PN-83/W-52501 - clause 8, Certificate No. Z/02/013/17, issued by the Institute of Mechanised Construction and Rock Mining in Warsaw.

PARAMETERS

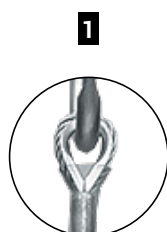
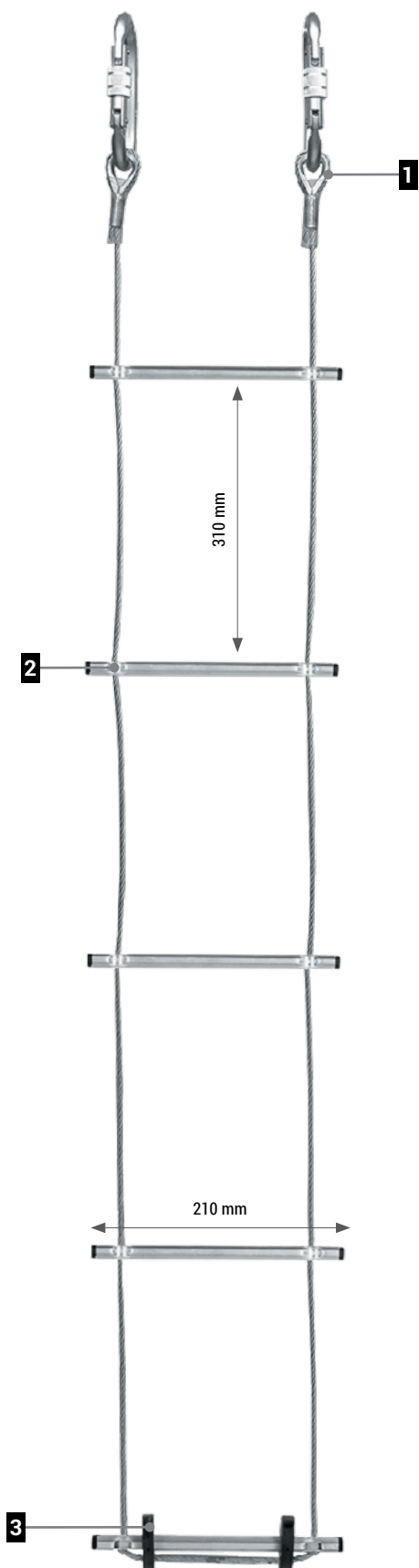
Material:	rungs - aluminium rope - polyester \varnothing 8mm
Manufacture:	width - 310 mm rung spacing: - 310 mm
Weight:	0.55kg - 1 r.m.
Colour:	black

DL 011

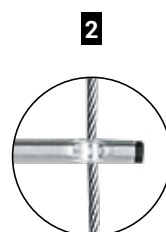
Narrow rope ladder – steel

PN-83/W-52501-CLAUSE 8

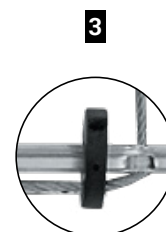
Ref. no.: DL 011



attachment loops fitted with thimbles



fasteners



retaining rings

Ladder conforms with PN-83/W-52501 - clause 8, Certificate No. Z/02/013/17, issued by the Institute of Mechanised Construction and Rock Mining in Warsaw.

PARAMETERS

Material:	rungs - aluminium cable - galvanized steel \varnothing 4mm
Manufacture:	width- 210 mm rung spacing: - 310 mm
Waga:	0,3 kg - 1 r.m.

SPECIAL FEATURES

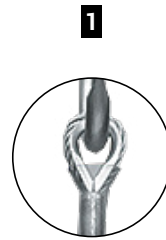
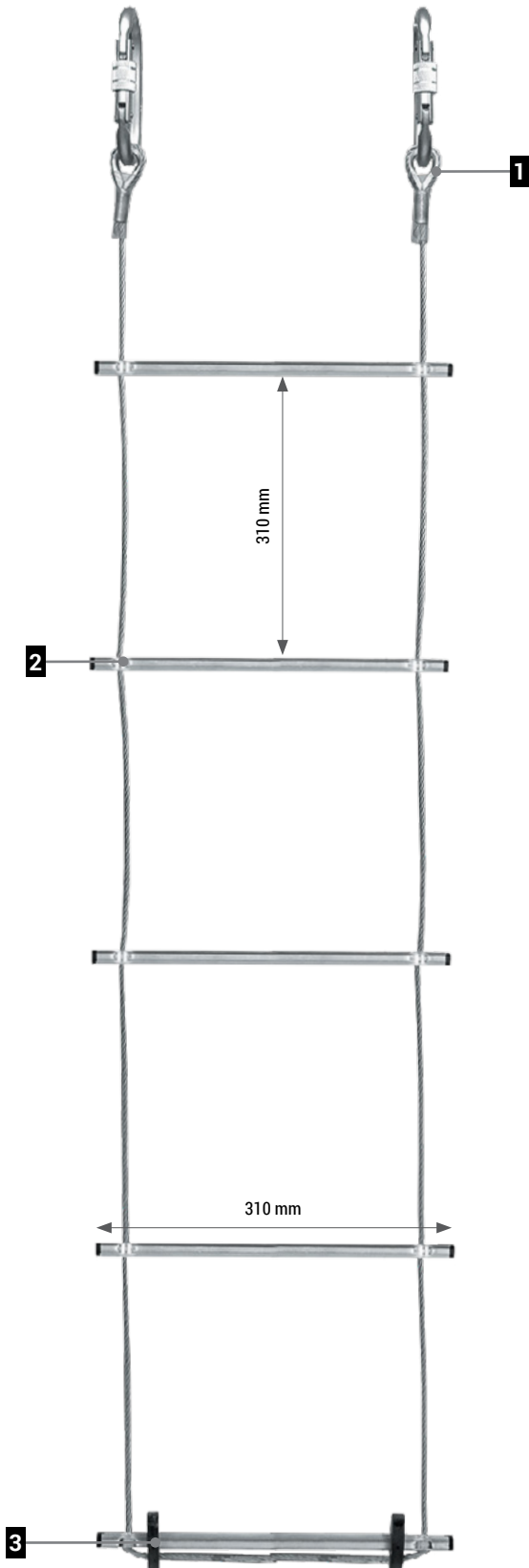


DL 012

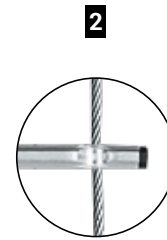
Wide rope ladder – steel

PN-83/W-52501-CLAUSE 8

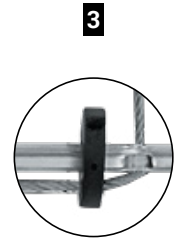
Ref. no.: DL 012



1 attachment loops fitted with thimbles



2 fasteners



3 retaining rings

Ladder conforms with PN-83/W-52501 - clause 8, Certificate No. Z/02/013/17, issued by the Institute of Mechanised Construction and Rock Mining in Warsaw.

PARAMETERS

Material:	rungs - aluminium cable - galvanized steel \varnothing 4mm
Weight:	0.58kg - 1 r.m.
Dimensions:	width: - 310 mm rung spacing: - 310 mm

SPECIAL FEATURES



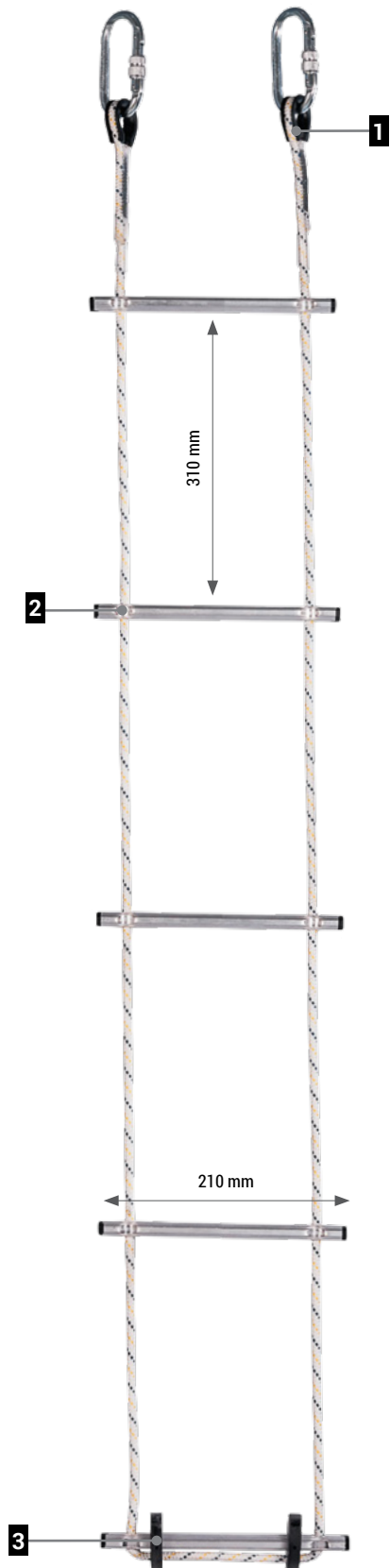
PREMITTED TO WORK IN
POTENTIALLY EXPLOSIVE AREAS

DL 013

Narrow rope ladder – polyester

PN-83/W-52501-CLAUSE 8

Ref. no.: DL 013



1
attachment loops
fitted with thimbles



2
fasteners



3
retaining rings

Ladder conforms with PN-83/W-52501 - clause 8, Certificate No. Z/02/013/17, issued by the Institute of Mechanised Construction and Rock Mining in Warsaw.

PARAMETERS

Material:	rungs - aluminium rope - polyester \varnothing 8mm
Weight:	0,35 kg - 1 r.m.
Dimensions:	width: - 210 mm rung spacing: - 310 mm

DL 013C

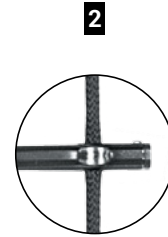
Narrow rope ladder – polyester

PN-83/W-52501-CLAUSE 8

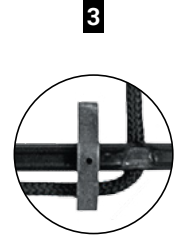
Ref. no.: DL 013C



attachment loops fitted with thimbles



fasteners



retaining rings

Ladder conforms with PN-83/W-52501 - clause 8, Certificate No. Z/02/013/17, issued by the Institute of Mechanised Construction and Rock Mining in Warsaw.

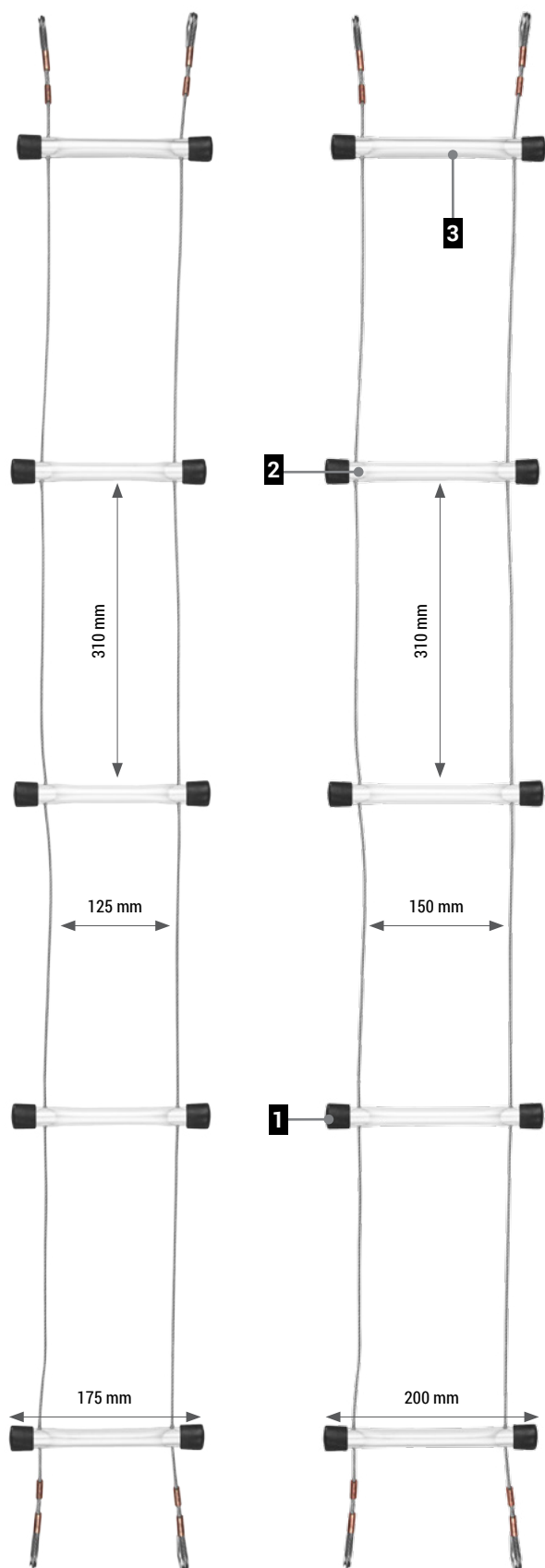
PARAMETERS

Material:	rungs - aluminium rope - polyester \varnothing 8mm
Manufacture:	width - 210 mm rung spacing- 310 mm
Weight:	0,3 kg - 1 r.m.
Colour:	black

DL 016, DL 017

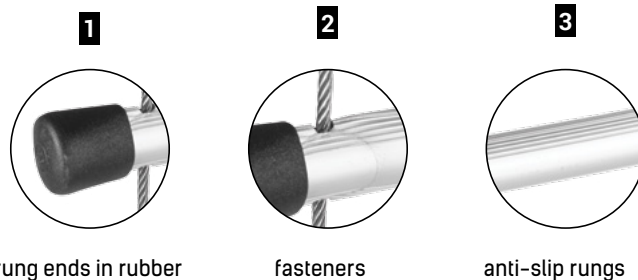
Cave rope ladder

Ref. no.: DL 016, DL 017



DL 016

DL 017



rung ends in rubber

fasteners

anti-slip rungs

DL 016 - PARAMETERS

Material:	rungs - aluminium cable - stainless steel Ø 3mm
Manufacture:	width - 175 mm rung spacing - 310 mm cable spacing - 125 mm
Weight:	0,2 kg - 1 r.m..

DL 017 - PARAMETERS

Material:	rungs - aluminium cable - stainless steel Ø 3mm
Manufacture:	width - 200 mm rung spacing - 310 mm cable spacing - 150 mm
Weight:	0,22 kg - 1 r.m..

DL 014, DL 015

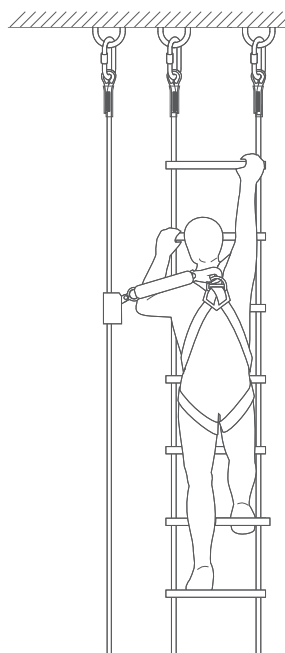
Roof ladder

PN-83/W-52501-CLAUSE 8

Ref. no.: DL 014, DL 015



HOW TO USE?



DL 014 – PARAMETERS

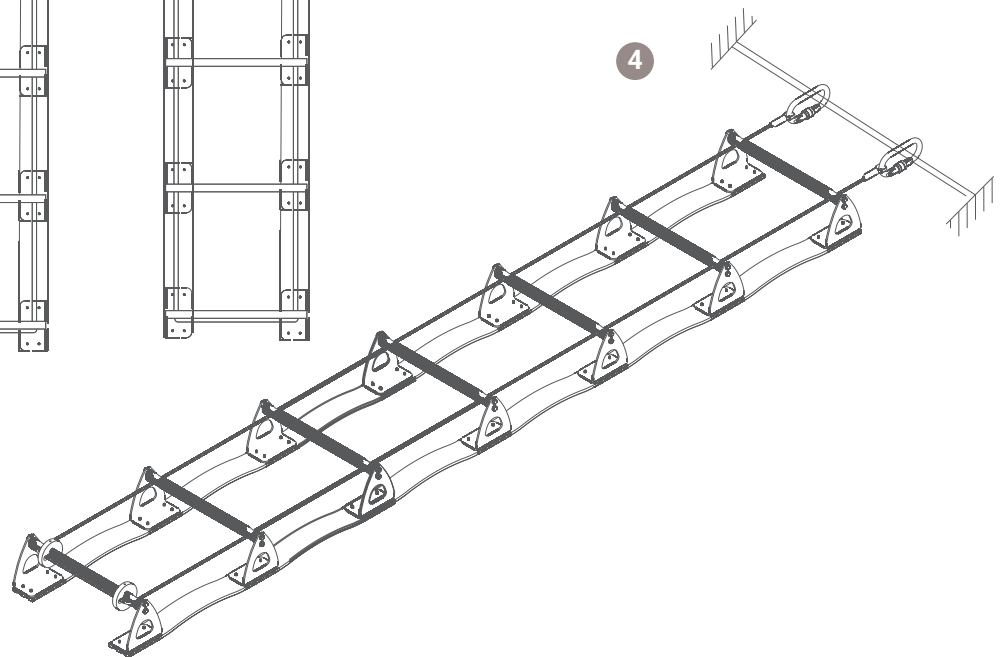
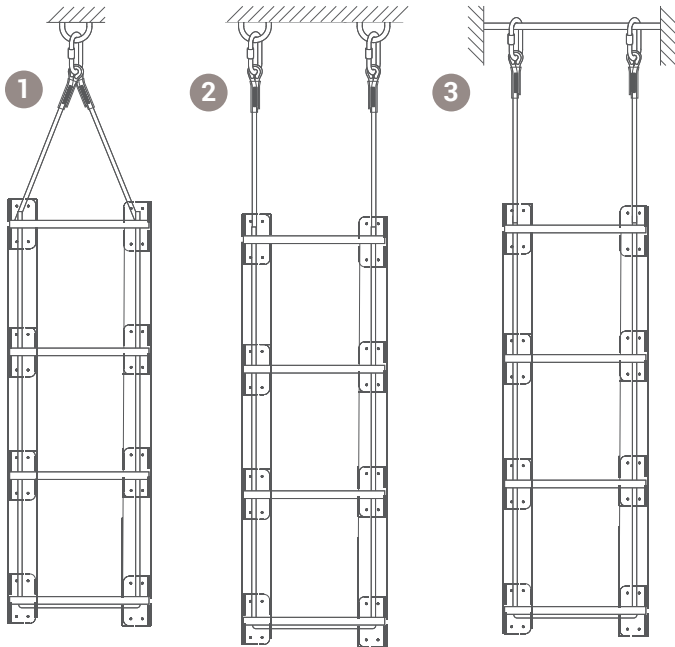
Material:	rungs - aluminium cable - galvanized steel \varnothing 4mm mountings - galvanized steel rubber - EPDM
Manufacture:	width - 310 mm rung spacing - 310 mm
Weight:	2,5 kg - 1 r.m.

DL 015 - PARAMETERS

Material:	rungs - aluminium rope - polyester \varnothing 8mm mountings - galvanized steel rubber - EPDM
Manufacture:	width - 310 mm rung spacing - 310 mm
Weight:	2,5 kg - 1 r.m.



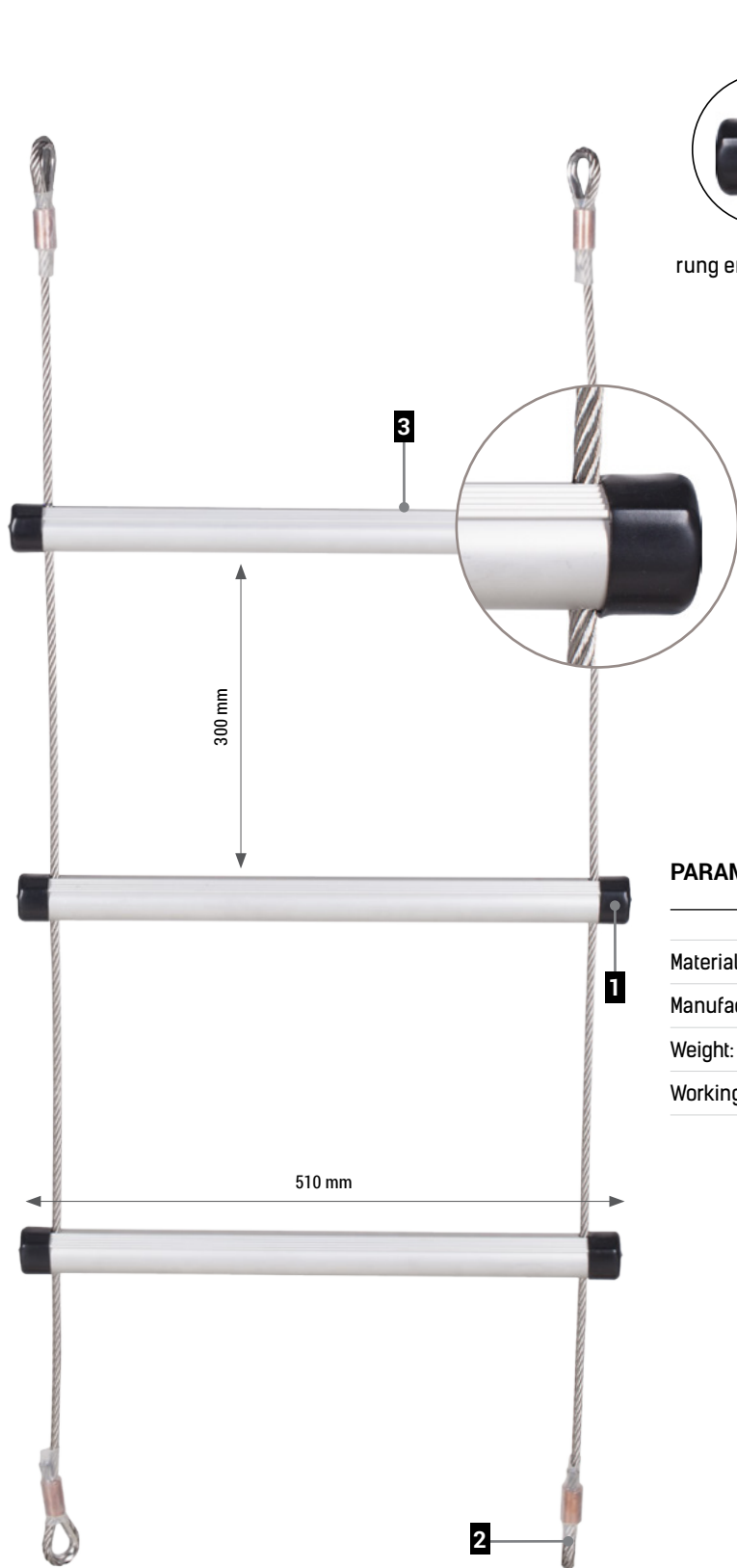
METHODS OF LADDER ATTACHMENT



DL 018

Rope ladder

Ref. no.: DL 018



1



rung ends in rubber

2



attachment loops fitted with thimbles

3



anti-slip rungs

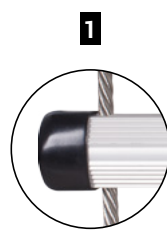
PARAMETERS

Material:	rungs - aluminium cable - stainless steel \varnothing 8mm
Manufacture:	width - 510 mm rung spacing- 300 mm
Weight:	1,80 kg - 1 r.m.
Working load:	200 kg

DL 019

"Gangway" rope ladder for horizontal movement

Ref. no.: DL 019



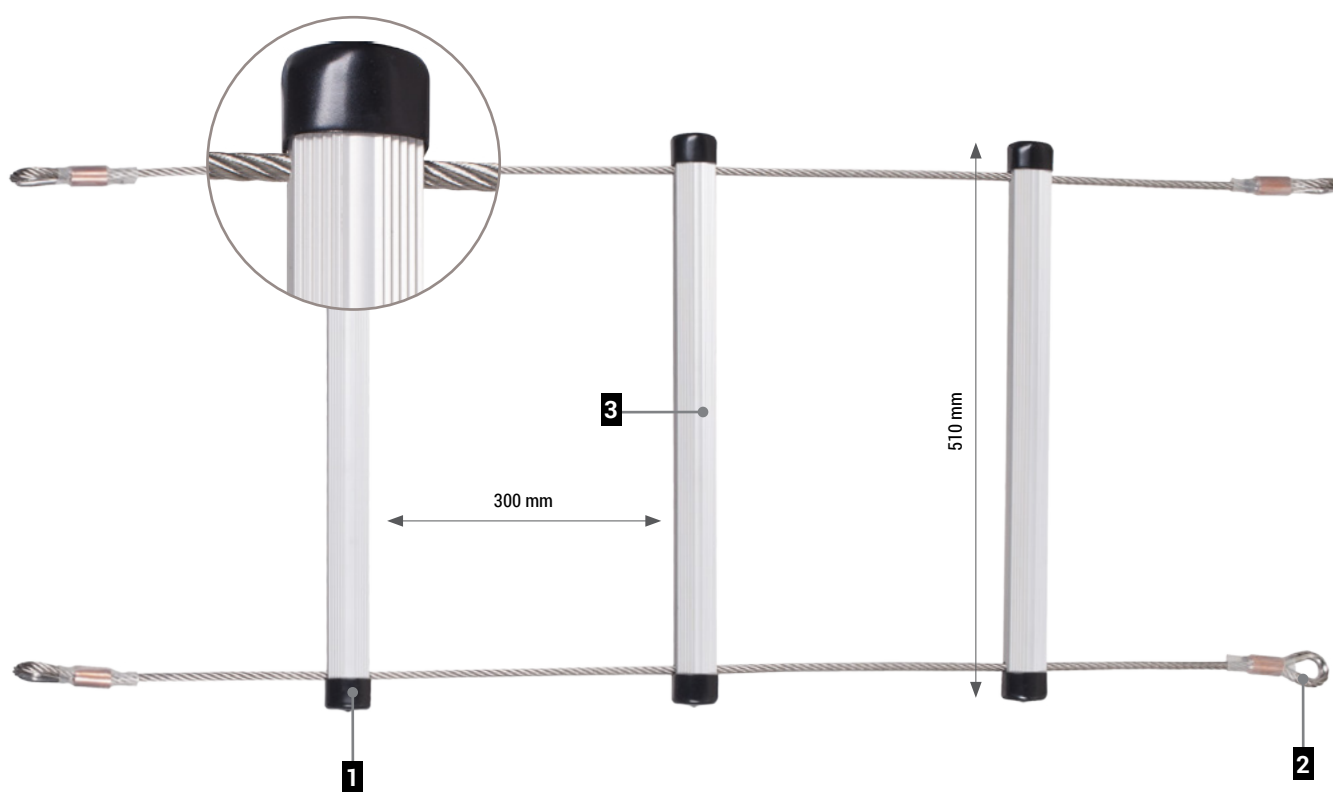
1 rung ends in rubber



2 attachment loops fitted with thimbles



3 anti-slip rungs



PARAMETERS

Material:	rungs - aluminium cable - stainless steel \varnothing 8mm
Manufacture:	width - 510 mm rung spacing - 300 mm
Weight:	1,80 kg - 1 r.m.
Working load:	200 kg

DS 518, DS 521

Combined ladders

EN 131

Ref. no.: **DS 518, DS 521**



DS 518

DS 521

Combined ladders
made of aluminium reinforced with fibre glass.

DS 518 - PARAMETERS

Length when folded:	1690 mm
Length when unfolded:	2393 mm
Maximum load:	150 kg
Weight:	12,70 kg

DS 521 - PARAMETERS

Length when folded:	3080 mm
Length when unfolded:	4220 mm
Maximum load:	150 kg
Weight:	14,55 kg

DS 412

Folding ladder

EN 131

Ref. no.: **DS 412**



PARAMETERS

Length when folded:	950 mm
Length when unfolded:	4220 mm
Maximum load:	150 kg
Weight:	15,30 kg

Folding ladders made of aluminium reinforced with glass fibre,
folding ladder - 12 rungs.

DS 801

Ladder stand



Ref. no.: **DS 801**



Ladder stand DS 801 is designed for supporting a single ladder max. 2.5m long. To keep stability, the ladder working height should not be greater than 1.6m.

PARAMETERS

Material:	galvanized steel
Spacing:	26-45 cm

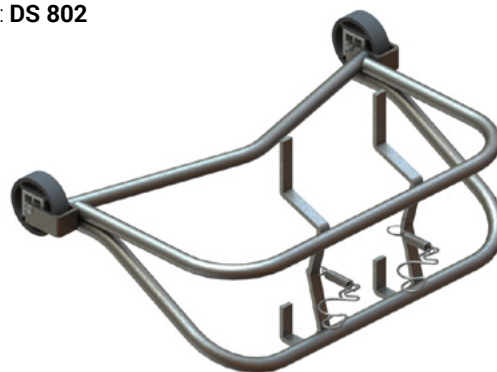
DS 802

Ladder support

NEW



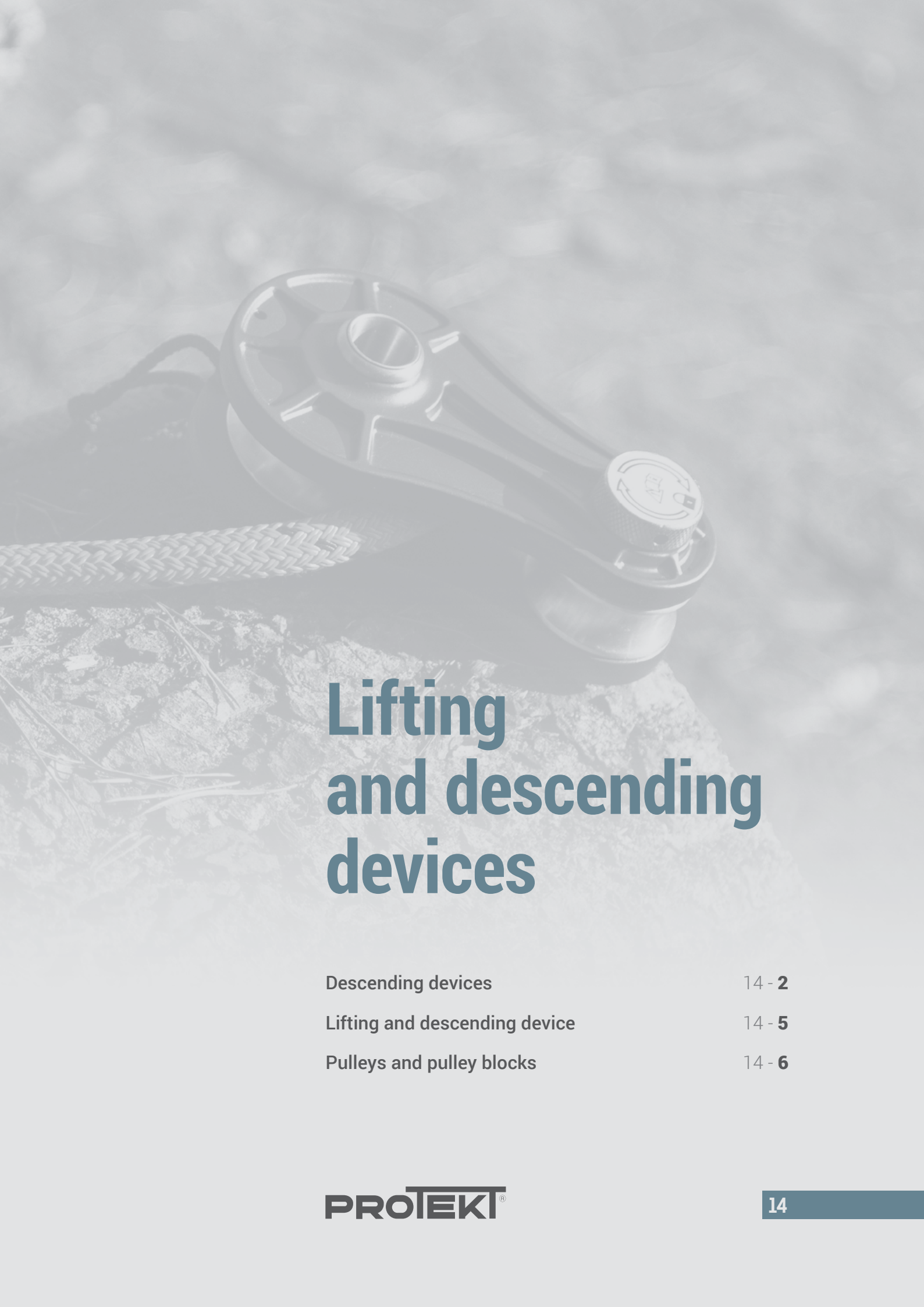
Ref. no.: **DS 802**



Ladder support DS 802 is designed for supporting a single ladder to improve its stability and protect the wall against damages.

PARAMETERS

Material:	frame - aluminium wheels - rubber
-----------	--------------------------------------

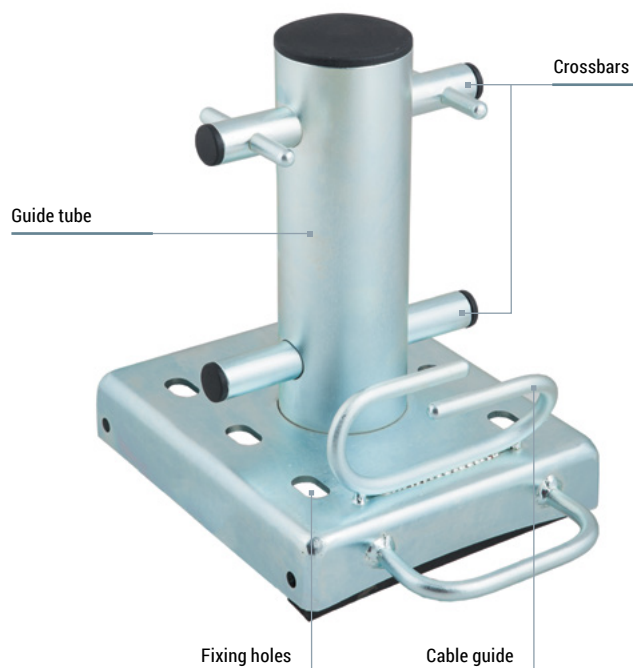


Lifting and descending devices

Descending devices	14 - 2
Lifting and descending device	14 - 5
Pulleys and pulley blocks	14 - 6

TU 100

Descending device
Port-a-wrap



Comes with cargo lashing
AX 500 and bag.

TU 101

Descending device
Port-a-wrap

NEW



Comes with cargo lashing
AX 500 and bag.

Port-a-wrap - TU 100 - a device designed for arborists. Used mainly for sectional tree felling. Used for controlled descending of material. By correct weaving the cable through the device, branches or parts (sections) of the trunk can be safely lowered to the ground. Maximum tree diameter for cargo lashing AX 500 is 1.2m.

PARAMETERS

Cable diameter:	ø 10 - 14 mm
Dimensions:	370 x 385 x 300 mm
Weight:	7,30 kg
Maximum Working Load (WLL):	10 kN
Minimum Breaking Strength (MBS):	50 kN
Material:	galvanized steel

REF. NO.:

TU 100

Port-a-wrap - TU 101 - a device designed for arborists. Used mainly for sectional tree felling. Used for controlled descending of material. By correct weaving the cable through the device, branches or parts (sections) of the trunk can be safely lowered to the ground. Maximum tree diameter for cargo lashing AX 500 is 1.2m.

PARAMETERS

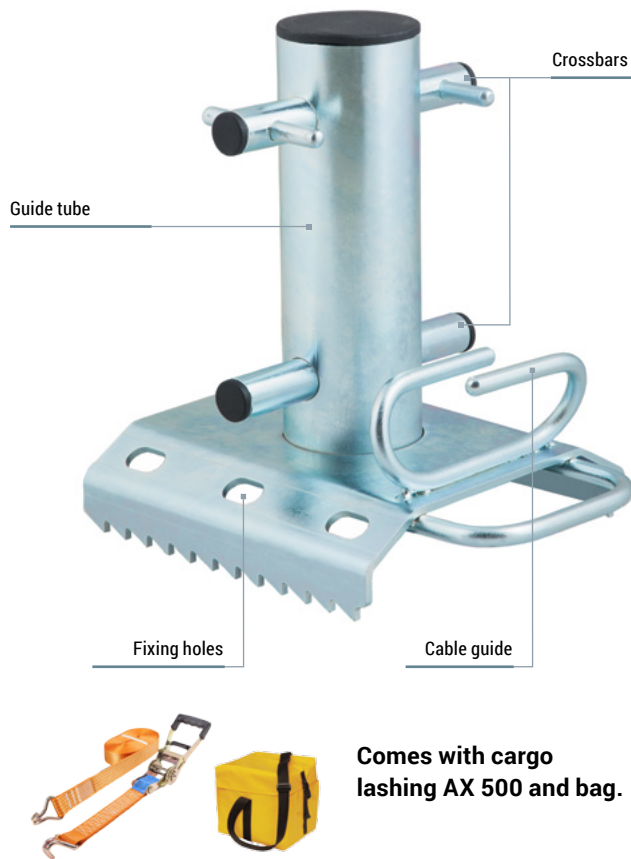
Cable diameter:	ø 10 - 14 mm
Dimensions:	178 x 250 x 200 mm
Weight:	5,80 kg
Maximum Working Load (WLL):	30 kN
Minimum Breaking Strength (MBS):	150 kN
Material:	stainless steel, electrochemically polished

REF. NO.:

TU 101

TU 110

Descending device
Port-a-wrap



Comes with cargo lashing AX 500 and bag.

Port-a-wrap - TU 100 - a device designed for arborists. Used mainly for sectional tree felling. Used for controlled descending of material. By correct weaving the cable through the device, branches or parts (sections) of the trunk can be safely lowered to the ground. Maximum tree diameter for cargo lashing AX 500 is 1.2m.

PARAMETERS

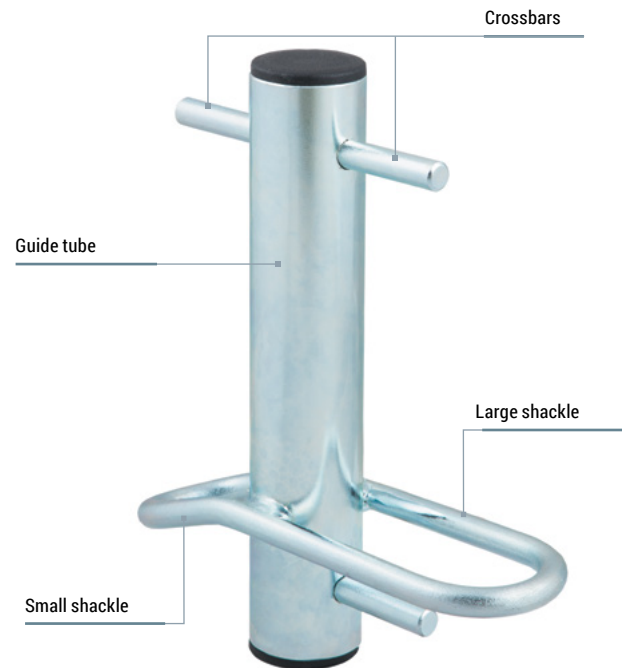
Cable diameter:	∅ 10 - 14 mm
Dimensions:	335 x 300 x 250 mm
Weight:	6,45 kg
Maximum Working Load (WLL):	10 kN
Minimum Breaking Strength (MBS):	50 kN
Material:	galvanized steel

REF. NO.:

TU 110

TU 200

Descending device
Port-a-wrap



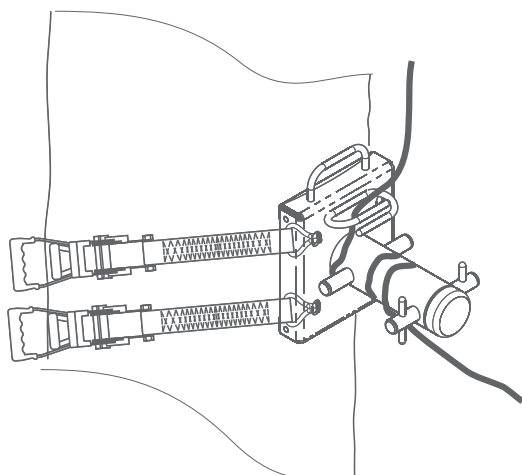
Port-a-wrap - TU 200 - a device designed for arborists. Used mainly for sectional tree felling. Used for controlled descending of material. By correct weaving the cable through the device, branches or parts (sections) of the trunk can be safely lowered to the ground.

PARAMETERS

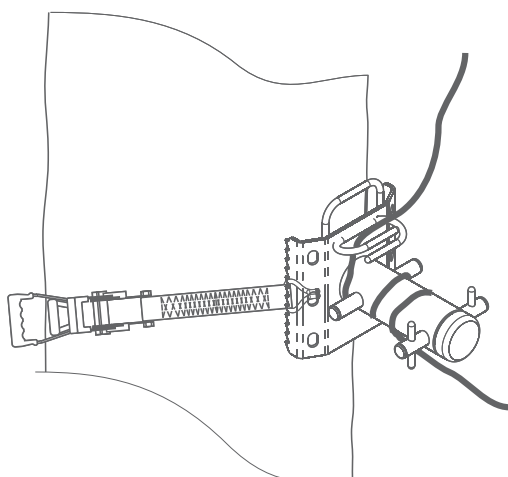
Cable diameter:	∅ 10 - 14 mm
Dimensions:	265 x 230 x 75 mm
Weight:	1,92 kg
Maximum Working Load (WLL):	10 kN
Minimum Breaking Strength (MBS):	50 kN
Material:	galvanized steel

REF. NO.:

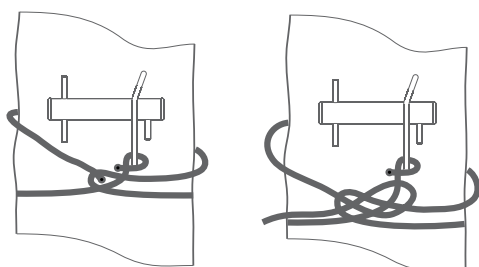
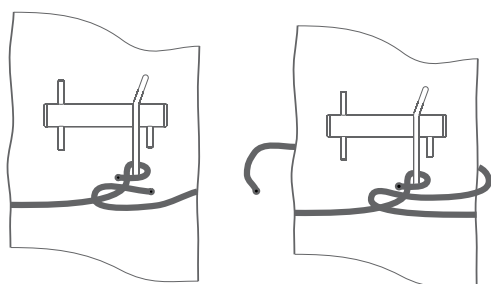
TU 200



TU 100



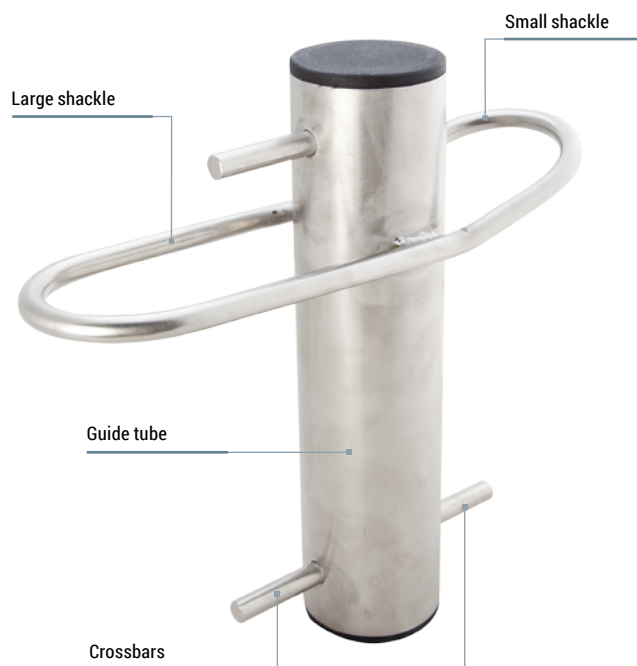
TU 110



TU 200, TU 201



Bag included



Port-a-wrap - TU 201 - a device designed for arborists made of stainless steel. Used mainly for sectional tree felling. Used for controlled descending of material. By correct weaving the cable through the device, branches or parts (sections) of the trunk can be safely lowered to the ground.

PARAMETERS

Cable diameter:	ø 10 - 20 mm
Dimensions:	260 x 282 x 108 mm
Weight:	2,32 kg
Maximum Working Load (WLL):	10 kN
Minimum Breaking Strength (MBS):	50 kN
Material:	stainless steel

REF. NO.:

TU 201

TU 120

Lifting and descending device

NEW



Fixing holes

Winch fixing base



Auxiliary cable guide

PARAMETERS

Maximum Working Load (WLL):	13 kN
Minimum Breaking Strength (MBS):	65 kN
Cable diameter:	8 - 14 mm
Power factor - 1	11.70
Power factor - 2	46.50
Gear ratio - 1	2.30
Gear ratio - 2	9.17
Material:	base - powder-coated steel spindle - stainless steel covers - aluminium gear wheels - galvanized steel
Dimensions:	429 x 250 x 355 mm
Weight:	10,2 kg

REF. NO.:

TU 120



Comes with cargo lashing AX 500 and bag.

The winch is designed for precise descending and lifting of the material. Adapted to be fixed on the tree trunk by means of the base and two fixing straps. The base has two removable rubber fender beams protecting the tree bark against damage. Cable guides are intended to maintain correct position of the cable when unwinding from and winding on the drum.

Maximum tree diameter for cargo lashing AX 500 is 1.2m.

TU 400

Small pulley with through hole and "Pin lock"

EN 12278:2007



"PIN LOCK"



COLOUR VERSIONS



PARAMETERS

Dimensions:	176 x 96 x 88 mm
MBS:	100 kN
WLL:	20 kN
Safety Factor:	5:1
Maximum rope diameter:	<18 mm
Through hole diameter:	18 mm
Weight:	1,38 kg
Material:	body - forged aluminium main axle - stainless steel rollers - aluminium

REF. NO.:

TU 400

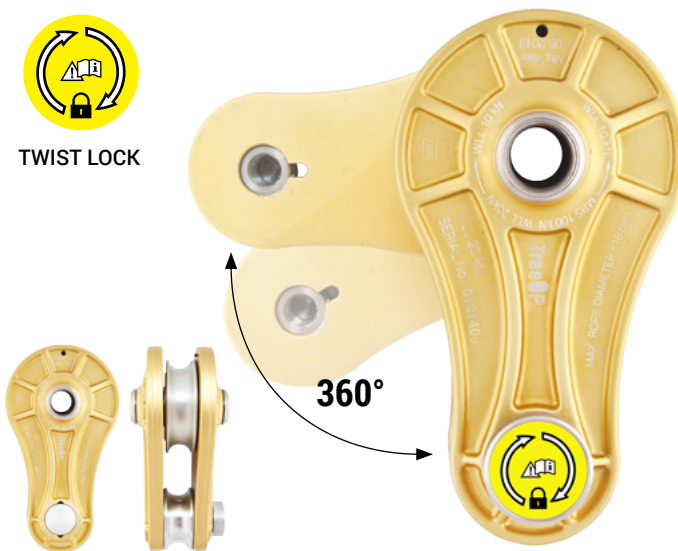
TU 401

Small pulley with through hole and with twist lock

EN 12278:2007



TWIST LOCK



COLOUR VERSIONS



PARAMETERS

Dimensions:	176 x 96 x 88 mm
MBS:	100 kN
WLL:	20 kN
Safety Factor:	5:1
Maximum rope diameter:	<18 mm
Through hole diameter:	18 mm
Weight:	1,38 kg
Material:	body - forged aluminium main axle - stainless steel rollers - aluminium

REF. NO.:

TU 401

TU 402

Small pulley without through hole and "Pin lock"

EN 12278:2007



"PIN LOCK"



COLOUR VERSIONS



PARAMETERS

Dimensions:	176 x 96 x 88 mm
MBS:	100 kN
WLL:	20 kN
Safety Factor:	5:1
Maximum rope diameter:	<18 mm
Weight:	1,40 kg
Material:	body - forged aluminium main axle - stainless steel rollers - aluminium

REF. NO.:

TU 402

TU 403

Small pulley without through hole and with twist lock

EN 12278:2007



TWIST LOCK



COLOUR VERSIONS



PARAMETERS

Dimensions:	176 x 96 x 81 mm
MBS:	100 kN
WLL:	20 kN
Safety Factor:	5:1
Maximum rope diameter:	<18 mm
Weight:	1,40 kg
Material:	body - forged aluminium main axle - stainless steel rollers - aluminium

REF. NO.:

TU 403

TU 404

Large pulley with through hole and with "Pin lock"

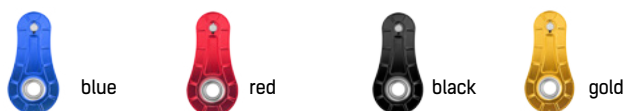
EN 12278:2007



"PIN LOCK"



COLOUR VERSIONS



PARAMETERS

Dimensions:	238 x 85 x 115 mm
MBS:	125 kN
WLL:	25 kN
Safety Factor:	5:1
Maximum rope diameter:	<30 mm
Through hole diameter:	30 mm
Weight:	2,30 kg
Material:	body - forged aluminium main axle - stainless steel rollers - aluminium

REF. NO.:

TU 404

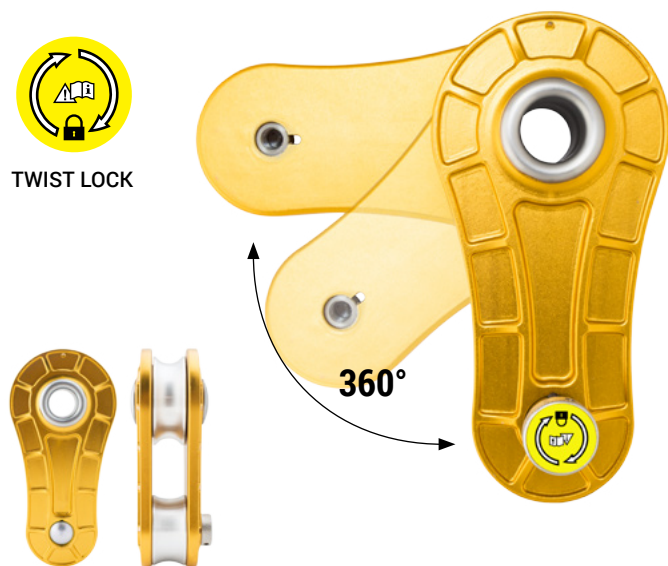
TU 405

Large pulley with through hole and with twist lock

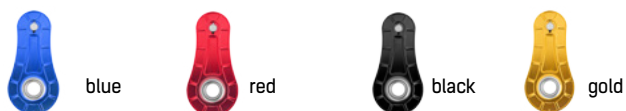
EN 12278:2007



TWIST LOCK



COLOUR VERSIONS



PARAMETERS

Dimensions:	238 x 85 x 115 mm
MBS:	100 kN
WLL:	20 kN
Safety Factor:	5:1
Maximum rope diameter:	<30 mm
Through hole diameter:	30 mm
Weight:	2,3 kg
Material:	body - forged aluminium main axle - stainless steel rollers - aluminium

REF. NO.:

TU 405

TU 406

Large pulley without through hole and with "Pin lock"

EN 12278:2007



"PIN LOCK"



COLOUR VERSIONS



PARAMETERS

Dimensions:	238 x 85 x 115 mm
MBS:	125 kN
WLL:	25 kN
Safety Factor:	5:1
Maximum rope diameter:	<30
Weight:	2,5 kg
Material:	body - forged aluminium main axle - stainless steel rollers - aluminium

REF. NO.:

TU 406

TU 407

Large pulley without through hole and with twist lock

EN 12278:2007



TWIST LOCK



COLOUR VERSIONS



PARAMETERS

Dimensions:	238 x 85 x 115 mm
MBS:	100 kN
WLL:	20 kN
Safety Factor:	5:1
Maximum rope diameter:	<30
Through hole diameter:	2,5 kg
Weight:	2,3 kg
Material:	body - forged aluminium main axle - stainless steel rollers - aluminium

REF. NO.:

TU 407

TU 410

Pulley block



PARAMETERS

Dimensions:	250 x 198 mm - TU411 198 x 198 mm - TU412
Weight:	1822 g - TU411 1508 g - TU412
Gear ratio (set):	4:1
MBS:	50 kN
WLL:	10 kN
Through hole diameter:	ø 8 - 12 mm (textile rope)

REF. NO.:

TU 410 (set TU411 + TU 412)

TU 411

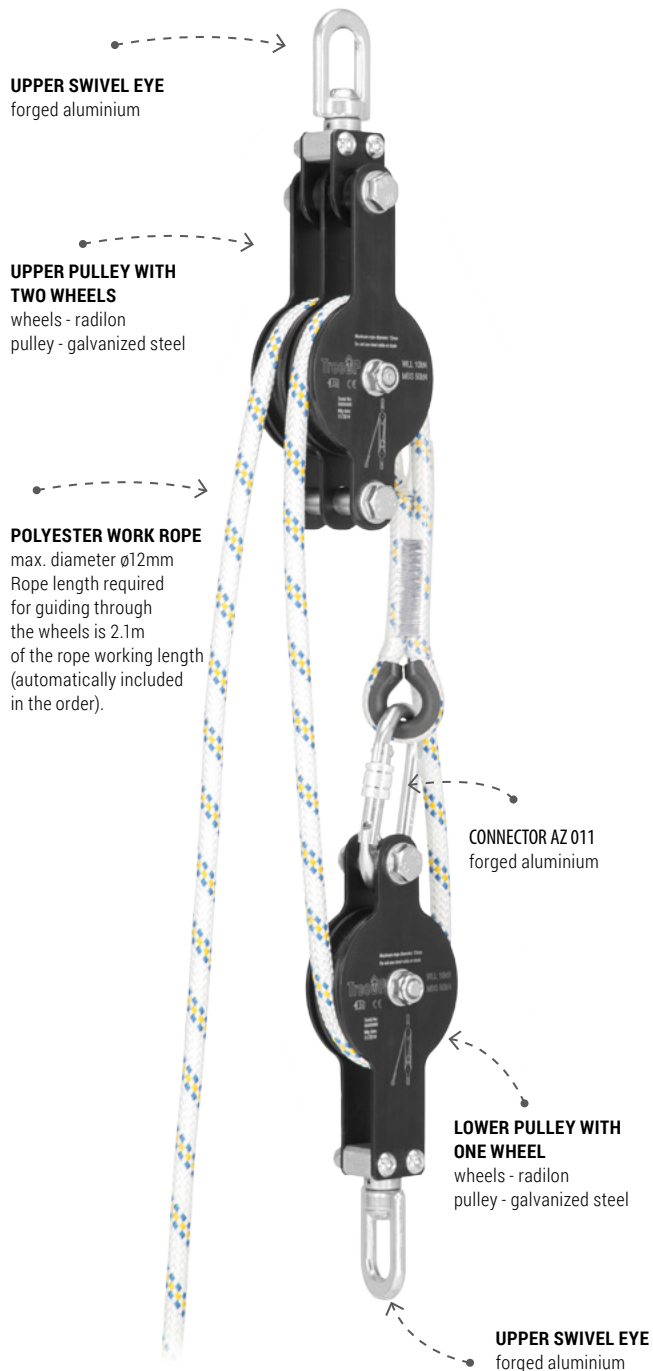
TU 412

Pulley block TU 410 is designed to lift and descend materials, loads. It is used mainly in sectional tree felling. Used for controlled descending of the material. By correct weaving the cable through the device, branches or parts (sections) of the trunk can be safely lowered to the ground. This is a perfect solution for use in inaccessible, tight spaces in the crowns of trees.

Special remark:

Since the gear ratio is 4:1 the ropes ordered should have 4x the length that would normally be ordered for the given use. For instance, there are 15m of operating rope length in a 60m long rope.

Machine Directive: 2006/42/EEC



INTENDED USE

Pulley block TU 413 can be used for tree climbing (sectional tree felling) and load transporting. The device is designed to lift and descend loads. It is not designed for use as personal fall protection equipment.

DESIGN

The TU 413 pulley block set comprises the following elements:

- upper rope pulley with two wheels
- lower rope pulley with one wheel
- connector for connecting the work rope end to the lower pulley
- work rope

USED MATERIALS

Both (upper and lower) pulleys comprise wheels made of plastic - radilon (set on ball bearings, enabling free wheel motion under load) connected to galvanized steel plates. Axles and fasteners (bolts, nuts, washers) are made of galvanized steel. Each pulley is provided with a swivel eye made of aluminium alloy. The eye on the upper pulley can be additionally rotated against the pulley block body.

WORK ROPE LENGTH RANGE

Along with the reduction in force required to lift or descend a load, the rope length "S" required to lift the load for height "H" increases three times. Example: if you want to lift a load at height $H = 3\text{m}$, from the pulley, pull away the rope length $S = 3 * H = 3 * 3\text{m} = 9\text{m}$. Take this into account when choosing the required rope length. The pulley block can be used only with textile rope, max. diameter $\varnothing 12\text{mm}$.

PARAMETERS

Maximum rope diameter:	$\varnothing 12\text{ mm}$
Device ratio:	3:1
Minimum Breaking Strength (MBS):	50 kN
Working Load Limit (WLL):	10 kN
Safety Factor:	5:1
Weight of set (without work rope):	2,47 kg

REF. NO.:	ROPE LENGTH:
TU 413	-
TU 413 10	10 m
TU 413 20	20 m
TU 413 30	30 m
TU 413 40	40 m
TU 413 50	50 m

TU 415

Pulley with hook 1000kg



PARAMETERS

Material:	galvanized steel, radilon stainless steel, cast iron casting
Weight:	1,14 kg
Dimensions:	300 x 130x 56 mm
Working load:	max. 1000 kg
Steel cable diameter:	6,3 mm
Textile rope diameter:	8,0 - 12,0 mm
Safety Factor:	3:1
Gear ratio:	1:2
WLL:	10 kN
MBS:	40 kN

REF. NO.:

TU 415

TU 416

Pulley with hook 2000kg



PARAMETERS

Material:	galvanized steel, cast iron casting, stainless steel
Weight:	2,15 kg
Dimensions:	330 x 130x 56 mm
Working load:	max. 2000 kg
Steel cable diameter:	6,3 - 8,0 mm
Textile rope diameter:	12,0 - 14,0 mm
Safety Factor:	3:1
Gear ratio:	1:2
WLL:	20 kN
MBS:	60 kN

REF. NO.:

TU 416



PROTEKT®

**EXAMPLE USE
OF PULLEYS**

PL 101

Pulley



PARAMETERS

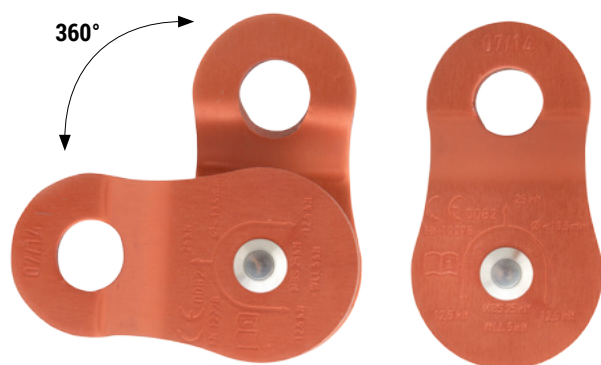
Dimensions:	133 x 56 x 128 mm
Weight:	450 g
Working load:	max. 1000 kg
Breaking strength:	30 kN
Safety Factor:	5:1
Rope diameter:	6 mm - 12 mm

REF. NO.:

PL 101

TU 420

Mini pulley



COLOUR VERSIONS



PARAMETERS

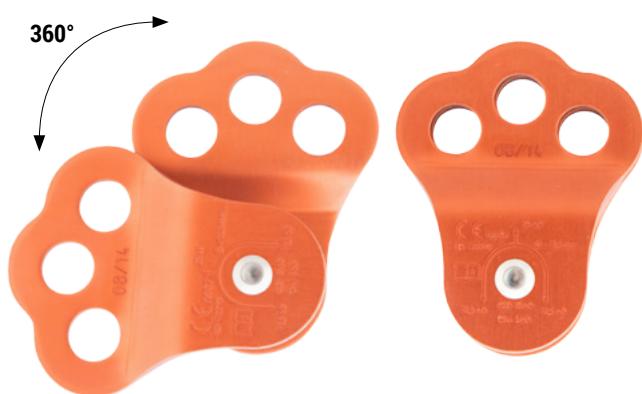
Dimensions:	80 x 44 x 37 mm
Weight:	105 g
Material:	aluminium alloy
MBS:	25 kN
WLL:	5 kN
Safety Factor:	5:1
Maximum rope diameter:	<13,5 mm
Ø mounting hole:	≤16 mm

REF. NO.:

TU 420

TU 421

Triple pulley



COLOUR VERSIONS



PARAMETERS

Dimensions:	90 x 70 x 37 mm
Weight:	160 g
Material:	aluminium alloy
MBS:	25 kN
WLL:	5 kN
Safety Factor:	5:1
Maximum rope diameter:	<13,5 mm
Ø mounting hole:	≤16 mm

REF. NO.:

TU 421

TU 430

Single pulley

EN 12278



Single pulley made of aluminium with movable pads designed for setting up of compound pulley systems. Also suitable in rescue applications.

PARAMETERS

Dimensions:	122 x 80 x 38 mm
Weight:	257 g
Material:	aluminium alloy
MBS:	30 kN
WLL:	6 kN
Safety Factor:	5:1
Maximum rope diameter:	<15 mm

COLOUR VERSIONS



blue



yellow



black



sany



red

REF. NO.:

TU 430

TU 431

Double pulley

EN 12278



Double pulley made of aluminium with movable pads designed for setting up of compound pulley systems. Also suitable in rescue applications.

PARAMETERS

Dimensions:	162 x 80 x 63 mm
Weight:	470 g
Material:	aluminium alloy
MBS:	30 kN
WLL:	6 kN
Safety Factor:	5:1
Maximum rope diameter:	<15 mm

COLOUR VERSIONS



gold



red



blue



sany



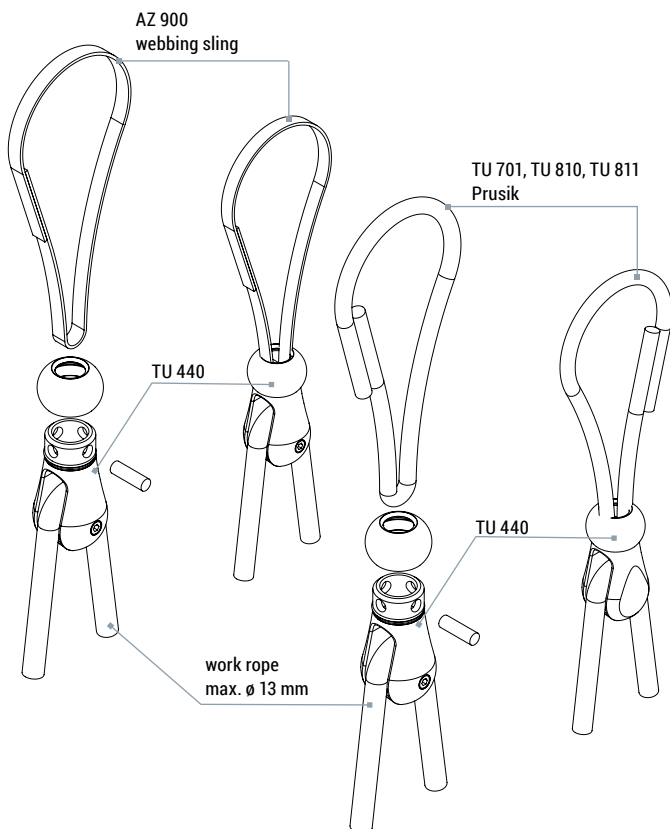
black

REF. NO.:

TU 431

TU 440

Arborist pulley



COLOUR VERSIONS



blue

orange

black

red

PARAMETERS

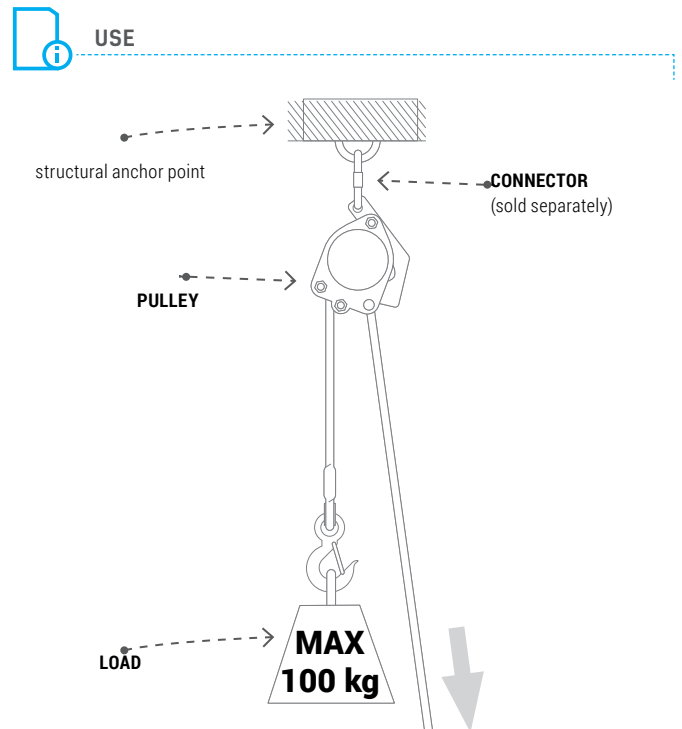
Dimensions:	85 x 40 x 39 mm
MBS:	25 kN
WLL:	5 kN
Working load:	500 kg (5 kN)
Weight:	153 g
Maximum Prusik diameter:	\varnothing 10 mm
Maximum work rope diameter:	\varnothing 13 mm
Maximum webbing sling width:	21 mm
Material:	aluminium, hardened steel

REF. NO.:

TU 440

BP 020

Auto brake pulley



INTENDED USE

Pulley is designed to lift and descend loads. It is fitted with a mechanism braking the load when the rope is released by the worker who pulls the rope.

SPECIAL FEATURES



PREMITTED TO WORK IN POTENTIALLY EXPLOSIVE AREAS

PARAMETERS

PULLEY

Dimensions:	190 x 55 x 150 mm
Working Load Limit (WLL):	100 kg
Weight:	≈2,2 kg
Material:	steel, aluminium

ROPE

Diameter:	14 mm
Material:	polyester
Manufacture:	twisted rope

HOOK WITH LATCH

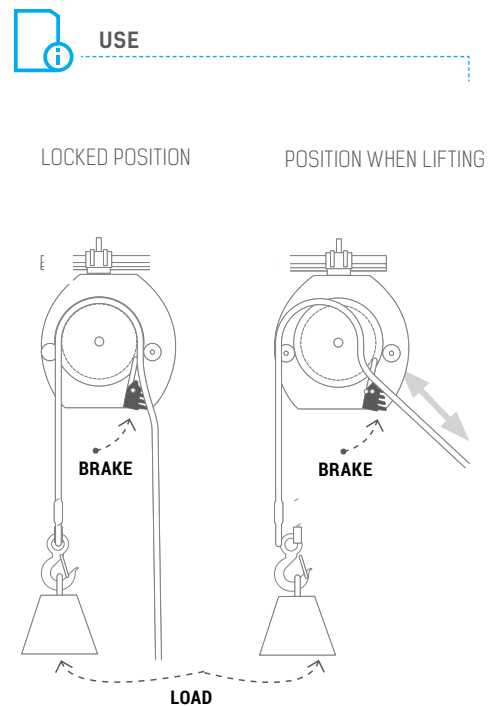
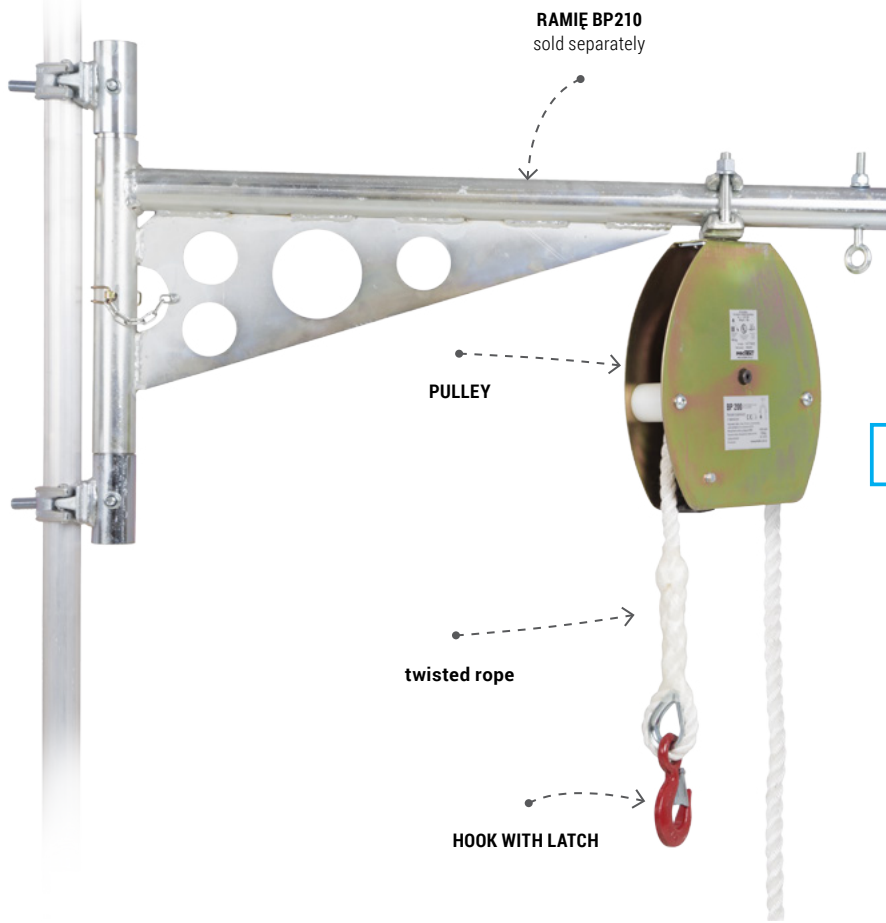
Material:	powder coated steel
Opening:	26 mm
Weight:	410 g
Load capacity:	1000 kg
Breaking strength:	50 kN

REF. NO.:	CABLE LENGTH
BP 020-20	20,0 m
BP 020-30	30,0 m
BP 020-50	50,0 m

BP 200

Brake pulley

EN 13157:2004+A1:2009, EN 12278:2001



PARAMETERS

PULLEY

Dimensions: 300 x 300 x 54 mm

Working Load Limit (WLL): 100 kg

Weight:

Material: galvanized steel

ROPE

Diameter: 16 mm

Material: polyester

Manufacture: twisted rope

HOOK WITH LATCH

Material: galvanized steel

Opening: 26 mm

Weight: 410 g

Load capacity: 1000 kg

Breaking strength: 50 kN

INTENDED USE

Pulley with load capacity of 460kg is designed for manual lifting and descending of free loads with use of rope, 18mm dia. The pulley design complies with European Parliament and Council Directive 2006/42/EC and harmonized standards EN13157:2004+A1:2009 and EN 12278:2001.

REF. NO:	CABLE LENGTH
BP 200 20	20 m
BP 200 30	30 m
BP 200 40	40 m
BP 210 - arm	



Ground tents, screens and safety barriers

Screens	15 - 2
Ground tents	15 - 12
Safety barriers	15 - 21
Protection netting	15 - 22
Warning signs	15 - 31

GT 020

Screen

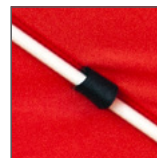
Ref. no.: GT 020



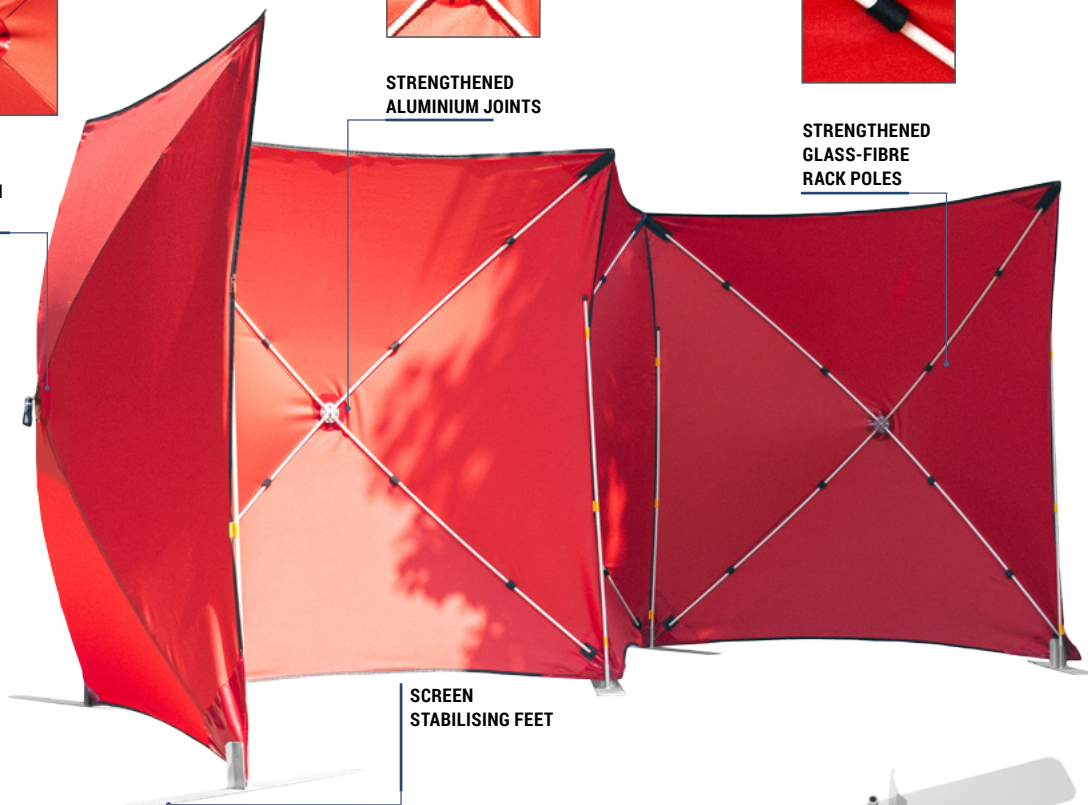
AUXILIARY HANDLE FOR SCREEN UNFOLDING



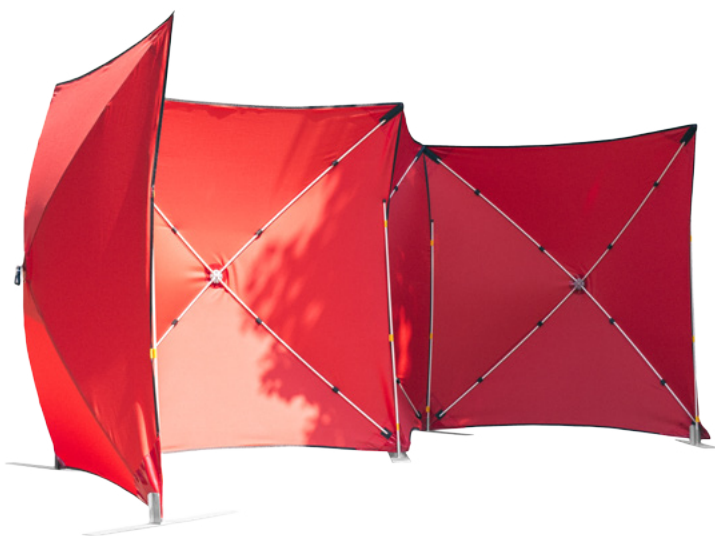
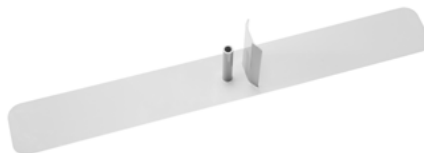
STRENGTHENED ALUMINIUM JOINTS



STRENGTHENED GLASS-FIBRE RACK POLES



SCREEN STABILISING FEET





COLOUR VERSIONS AVAILABLE FOR POLICE AND FIRE SERVICE.





CARGO BAG INCLUDED



PARAMETERS

Number of segments:	4
Segment dimensions:	1.60 x 1.60m or 1.80 x 1.80m

COLOUR VARIANTS

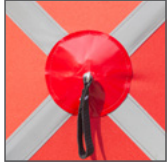
Red	01	
Blue	02	

REF. NO.:	DIMENSIONS	WEIGHT
GT 020 160 clean	1,60 x 1,60 m	4,70 kg
GT 020 161 with printing	1,60 x 1,60 m	4,70 kg
GT 020 180 clean with feet	1,80 x 1,80 m	11,7 kg
GT 020 181 with printing and feet	1,80 x 1,80 m	11,7 kg

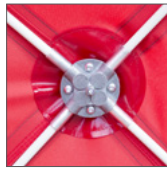
GT 030

Screen with reflective tapes

Ref. no.: GT 030



AUXILIARY HANDLE FOR SCREEN UNFOLDING



STRENGTHENED ALUMINIUM JOINTS



SCREEN STABILISING FEET



COLOUR VERSIONS AVAILABLE FOR POLICE AND FIRE SERVICE.



CARGO BAG INCLUDED



PARAMETERS

Number of segments:	4
Segment dimensions:	1.60 x 1.60m or 1.80 x 1.80m

COLOUR VARIANTS

Red	01	
Blue	02	

REF. NO.:	DIMENSIONS	WEIGHT
GT 030 160 clean	1,60 x 1,60 m	5,75 kg
GT 030 161 with printing	1,60 x 1,60 m	5,75 kg
GT 030 180 clean with feets	1,80 x 1,80 m	11,7 kg
GT 030 181 with printing and feets	1,80 x 1,80 m	11,7 kg

GT 040

Adjustable screen

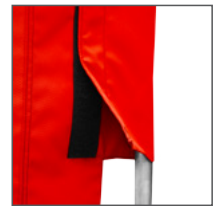
Ref. no.: GT 040



**SCREEN HEIGHT
VARIABLE ADJUSTMENT**

by clamping coupler. Telescope is made from aluminium tube and plastic.
Telescope is made from aluminium tube and plastic.

**COMFORTABLE AND QUICK
COVER ASSEMBLY**



**LEG POSITION ANGLE
ADJUSTMENT**
(each leg individually), joints
are made of galvanized steel.

3050 mm

variable height adjustment: ~ 1250-1950mm

**VARIABLE HEIGHT
ADJUSTMENT**



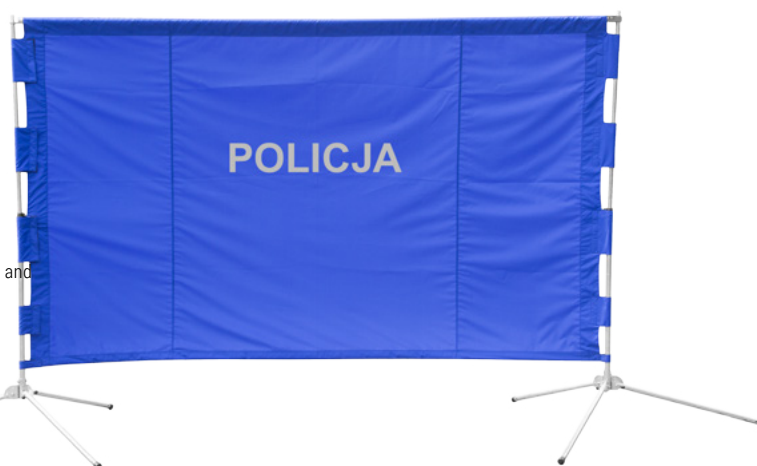
Adjustable screen designed for guarding and sheltering of locations during traffic accidents, natural disasters, etc. Variable screen length adjustment ~1.25 - 1.95m with side telescopic tripods. Adjustment of leg position up and down in relation to the horizontal. Leg transport lock. The kit includes cargo bag and cover for folded equipment



COLOUR VERSIONS AVAILABLE FOR POLICE AND FIRE SERVICE.

SCREENS CAN BE COMBINED TOGETHER



BASE LEGS
tube Ø 33.7
made of galvanized steel and plastic



PARAMETERS

Weight:	15,50 kg
Dimensions:	height: 1,25-1,95 m, width: 3,05 m+
Material:	fabric: polyester, rack: galvanized steel, aluminium

COLOUR VARIANTS

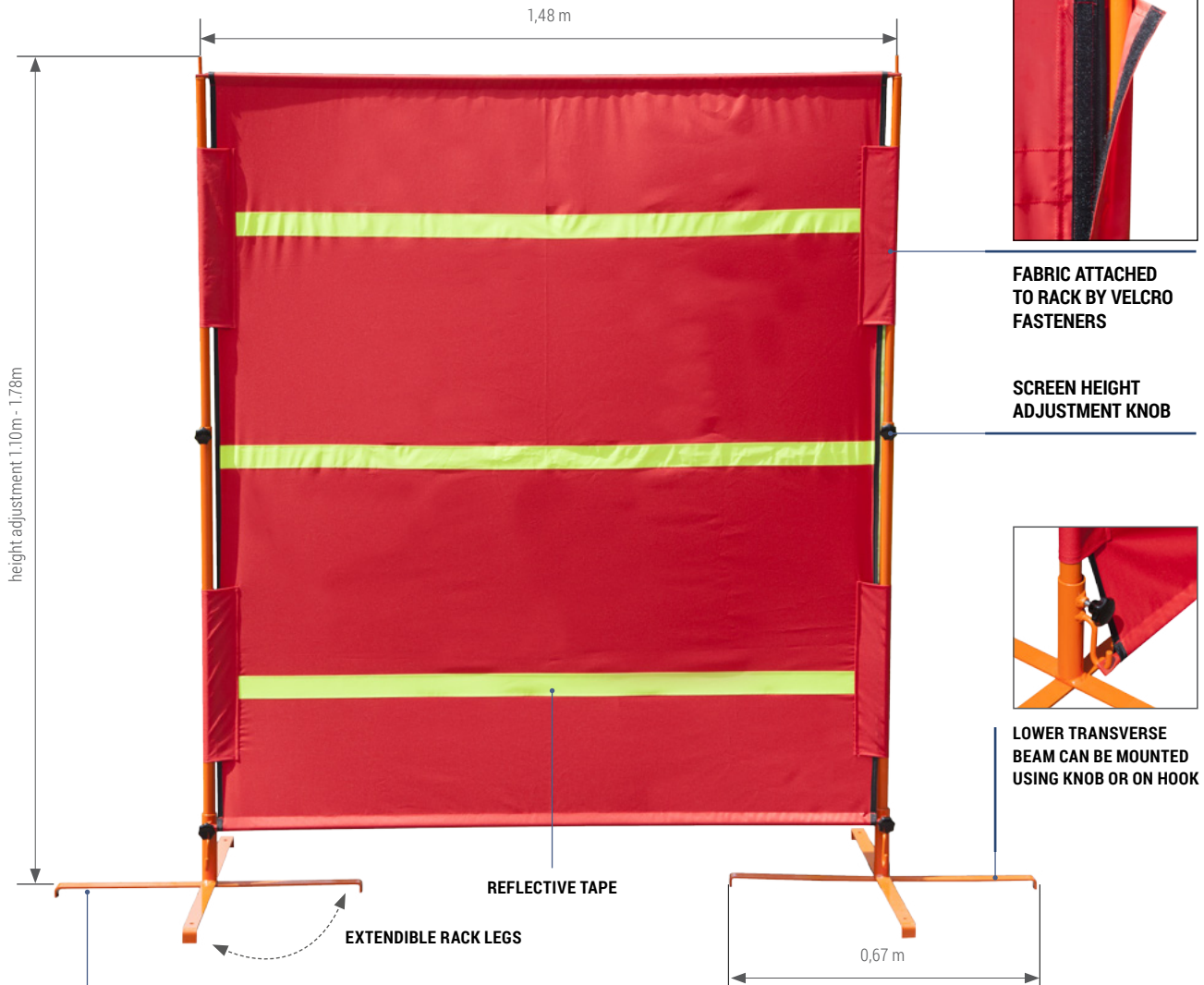
Red	01	
Blue	02	
REF. NO.:	GT 040	

GT 050

Adjustable screen with reflective tapes

NEW

Ref. no.: GT 050



SCREEN HEIGHT ADJUSTMENT KNOB



SCREENS CAN BE COMBINED TOGETHER

CARGO BAG INCLUDED



PARAMETERS

Dimensions when folded:	0,15 x 0,15 x 1,5 m
Max dimension of screen when unfolded::	1,78 x 1,48 m
Material:	fabric - polyester rack - powder-coated steel
Weight:	13 kg

COLOUR VARIANTS

Red	01	
Blue	02	

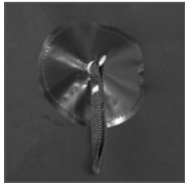
REF. NO.:

GT 050

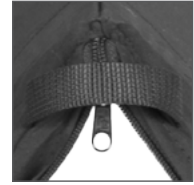
GT 140

Forensic tent

Ref. no.: **GT 140**



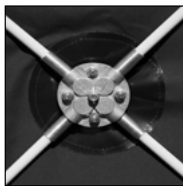
AUXILIARY HANDLE FOR SCREEN UNFOLDING



ZIPPER FOR TOP WALLS OPENING



TOP WALLS CAN BE OPENED



STRENGTHENED INNER ALUMINIUM JOINTS



CARGO BAG INCLUDED



Light and durable folding tent for covering of corpse on the inspection of the scene, site inspection, etc. Intended for the use by police, fire brigade, coroner, funeral home, etc. Tent is folding thanks to resilient rack, without unfolding to smaller pieces. Top walls are opened by zippers allowing for the inspection inside, without having to remove the tent. Possibility of providing an additional inscription, e.g. "CRIME SCENE", "POLICE", "CORONER" at an extra charge. Transport cover included.

PARAMETERS

Dimensions when folded:	17 x 79 cm
Dimensions of ground tent when folded:	220 x 110 x 95 cm
Material:	fabric - water-proof fabric: microfibre (black), polyester (red, blue) rack - aluminium, glass fibre
Weight:	4,0 kg

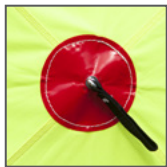
COLOUR VARIANTS

Red	01	
Blue	02	
Black	03	

REF. NO.:

GT 140 - black

GT 140 - red, blue



ADDITIONAL HANDLE FOR DEPLOYING SCREEN.

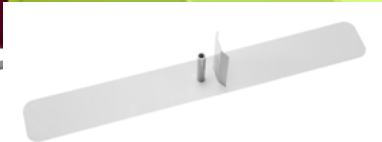


REINFORCED ALUMINIUM INTERNAL HINGES

3 SEGMENTS VERSION



SCREEN STABILIZER FOOT



4 SEGMENTS VERSION



2 SEGMENTS VERSION

PARAMETERS

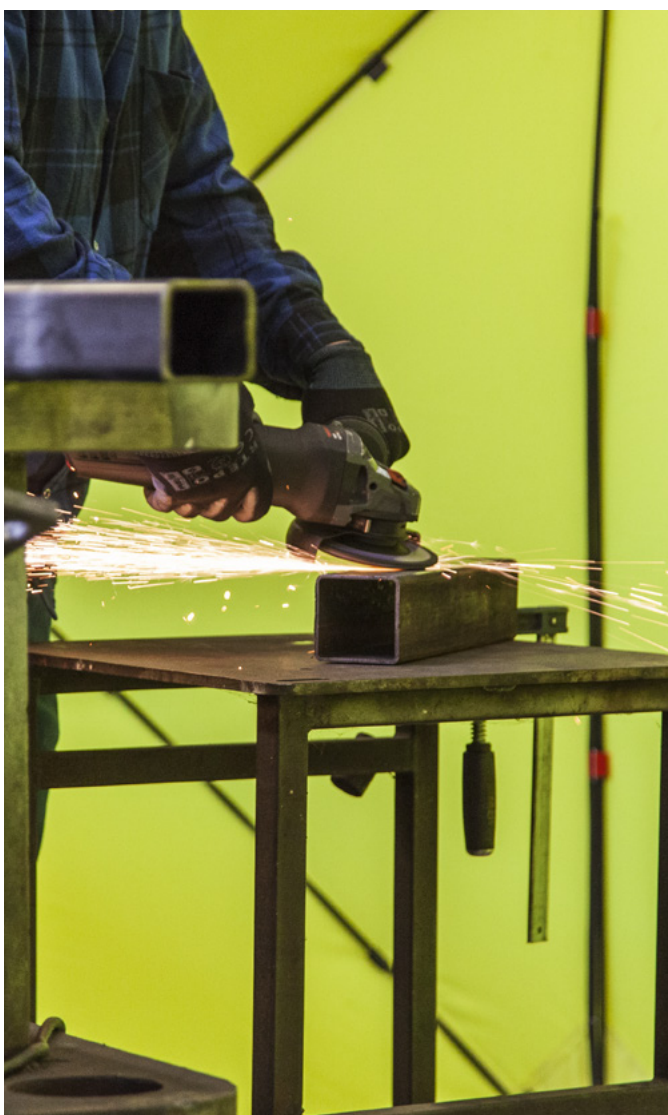
Number of segments:	from 2 to 4
Dimensions of the segments:	1,60 x 1,60 m lub 1,80 x 1,80 m
Material:	XISPAL 825 + fire retardant plaville
Transport dimensions:	20x20x120 in a bag

COLOUR VARIANTS

Bright yellow/green	01	
---------------------	----	--



15



GROUND TENTS, SCREENS AND SAFETY BARRIERS

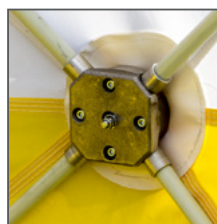
Ref. no.: GT 110



Openings for ventilation ducts



New strengthened fibre-glass rack poles \varnothing 12



New strengthened aluminium joints



Window holes protected with meshing

Safety tent GT 110 is designed to provide shelter against weather conditions during works in manholes, etc.

REF. NO.:

GT 110

PARAMETERS

Weight: 10,00 kg

Dimensions: 180 x 180 x 180 cm

Dimensions when folded: 140 x 25 x 25 cm

Time of unfolding/folding: 3 min



CARGO BAG INCLUDED



AT 201

Scissor fence

Ref. no.: **AT 201**



Scissor fence is designed for warning, and securing and guarding of work locations. Used for works at sewer and telecom manholes.

PARAMETERS

Height:	1,24 m
Weight:	4,75 kg
Unfolded fence:	max. side length 2.13m

REF. NO.:

AT 201

AT 202

Scissor barrier

Ref. no.: **AT 202**



Four panel scissor barrier is designed for warning, and securing and guarding of work locations. Used for works at sewer and telecom manholes.

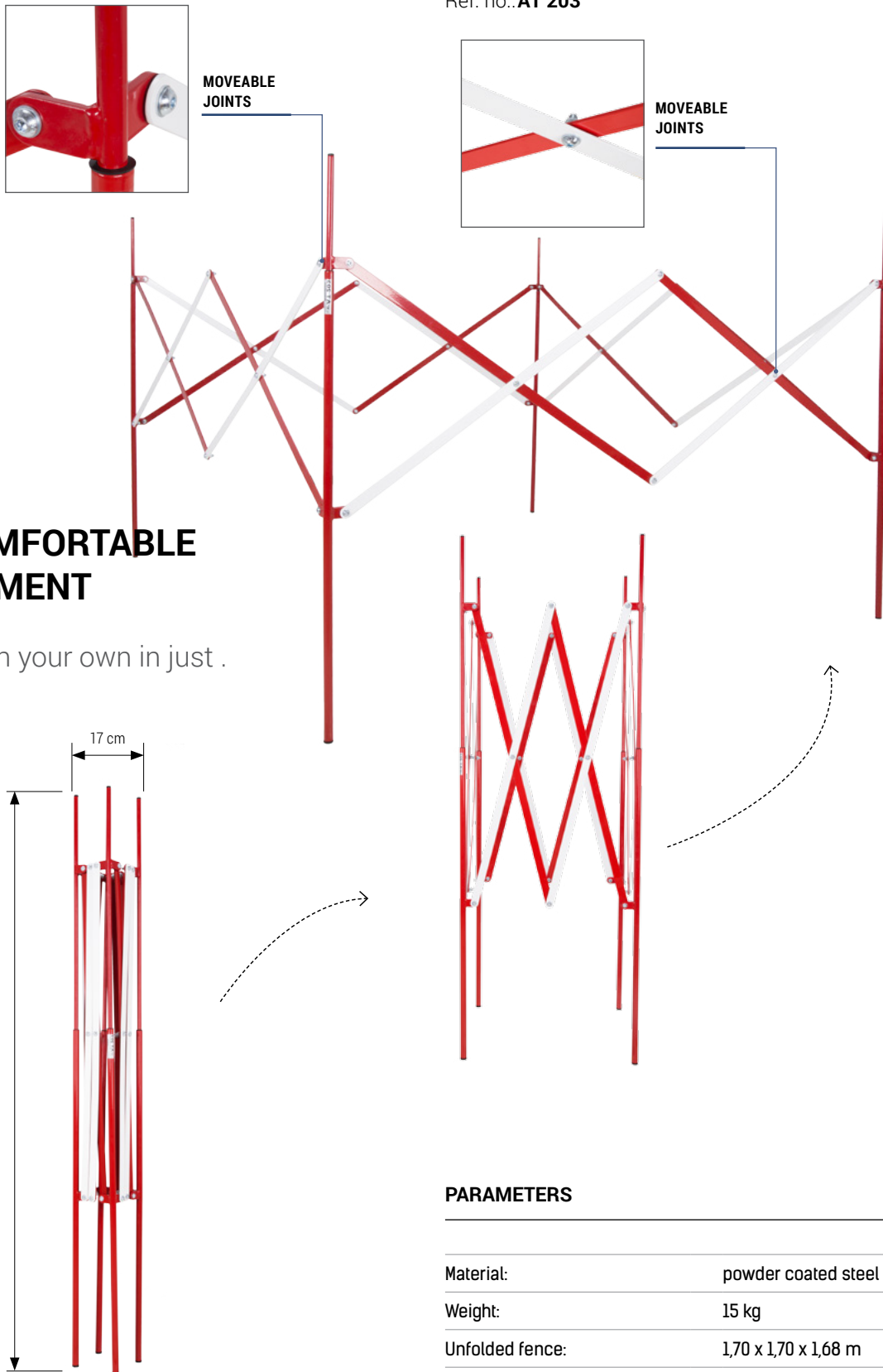
PARAMETERS

Height:	1,24 m
Weight:	19 kg
Folded barrier:	0,25 x 0,25 x 1,24 m
Unfolded barrier:	max. side length 2.13m max. length 8.52m

REF. NO.:

AT 202

Ref. no.: AT 203



QUICK AND COMFORTABLE DEPLOYMENT

Deploy the fence on your own in just **5 s.**

PARAMETERS

Material:	powder coated steel
Weight:	15 kg
Unfolded fence:	1,70 x 1,70 x 1,68 m
Unfolded fence:	0,17 x 0,17 x 1,68 m

REF. NO.:

AT 203

Four panel scissor barrier is designed for warning, and securing and guarding of work locations. Used for works at sewer and telecom manholes.

AT 210

Fence

Ref. no.: AT 210

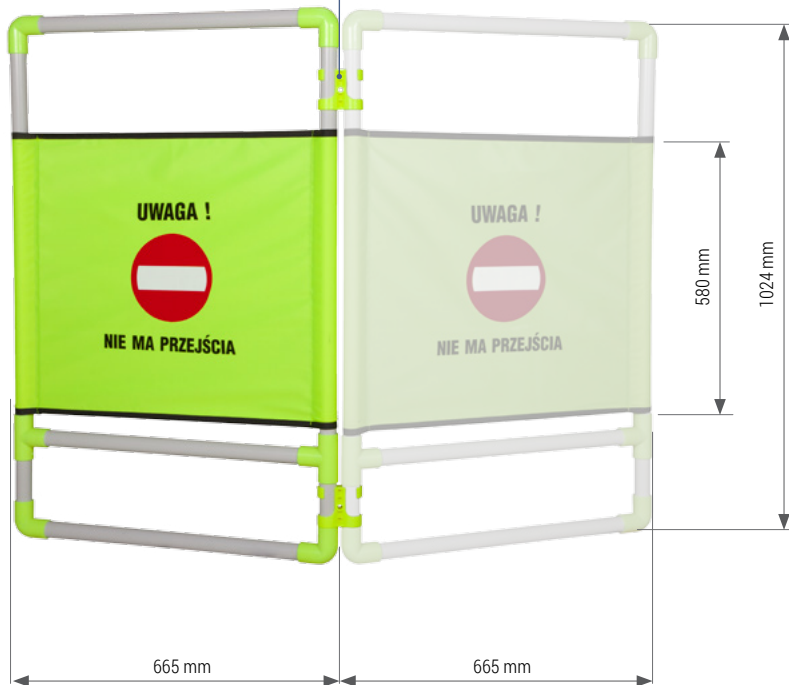
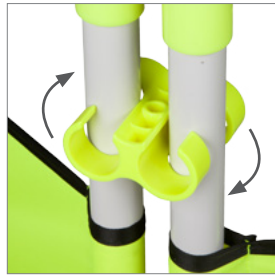
2 MODULES DEPLOYED HORIZONTALLY

4 MODULES DEPLOYED VERTICALLY



COUPLER AT 210-02

MOUNTING METHOD



PRODUCT PRESENTATION

protekt.co/at201



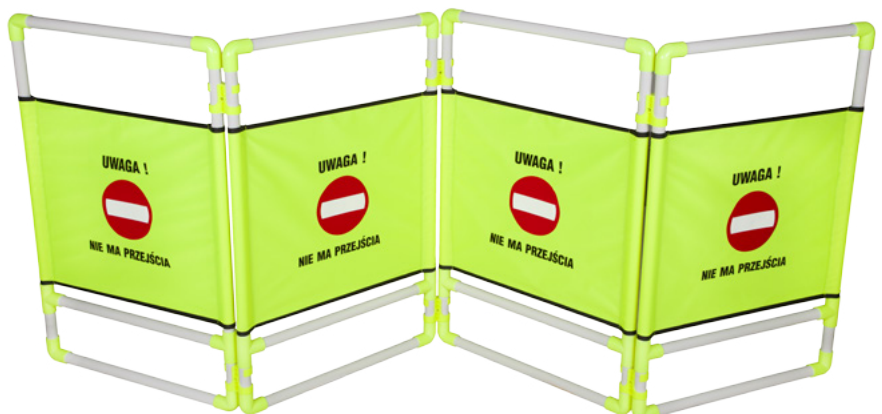
PARAMETERS AT 210 - FENCE

Material:	PVC + ABS
Weight (single module):	1,2 kg
Unfolded fence:	272 x 102 mm
Folded fence:	102 x 72 x 11,5 cm

PARAMETERS AT 210-02 - COUPLER

Material:	PVC
Weight:	200 g

4 MODULES DEPLOYED HORIZONTALLY



IMPROVED



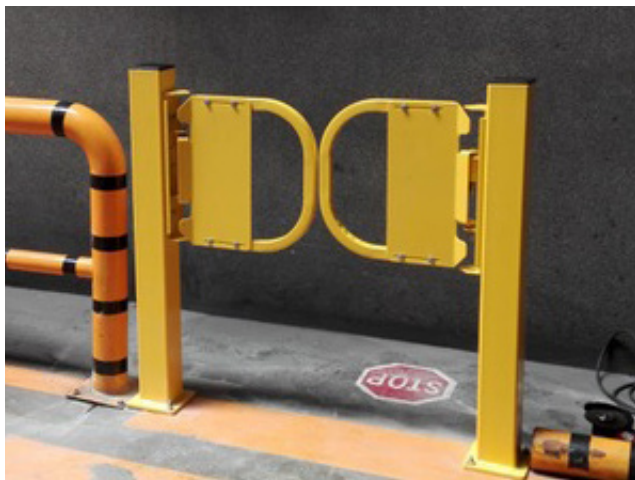
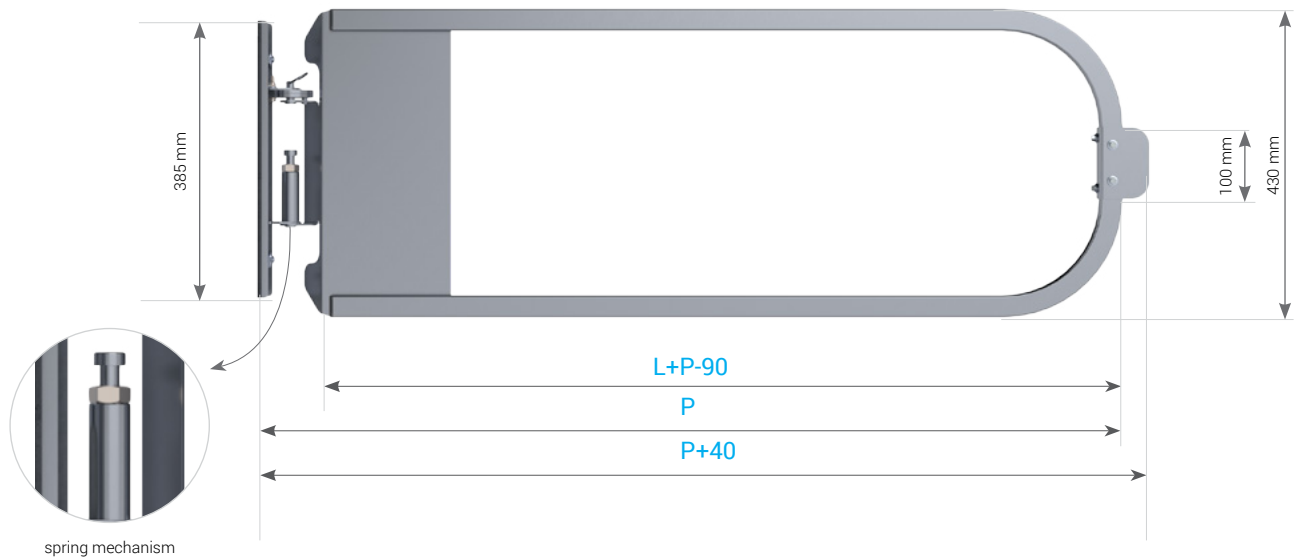
AT 210 is a warning plastic fence for use on any guarding, crossing, stairs, lifts or devices, when, e.g. temporary closure of crossing is required. Modular design provides quick assembly and any arrangement of the space to be guarded. It is possible to combine any amount of modules.

REF. NO.:

AT 210 - 1 module

AT 210-02 - 2 couplers

AT 210 kit - 4 modules + 6 couplers



P - Space required for security
L - Length to which the gate should be shortened before assembly

(1200 mm length is the standard supplied).

The AT 241 self-closing gate is a functional device enabling safe use of ladders, eg on silos or separating transitions in different locations.

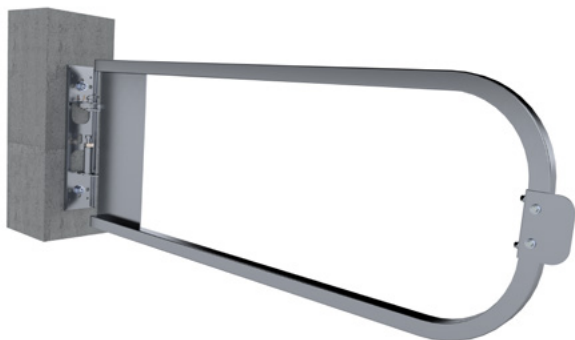
PARAMETERS

Material:	galvanized steel powder coated
Weight:	8 kg / 1.200 mm
Dimensions:	0,25 x 0,25 x 1,24 m
Unfolded barrier:	1100 x 426 mm

REF. NO.:

AT 241

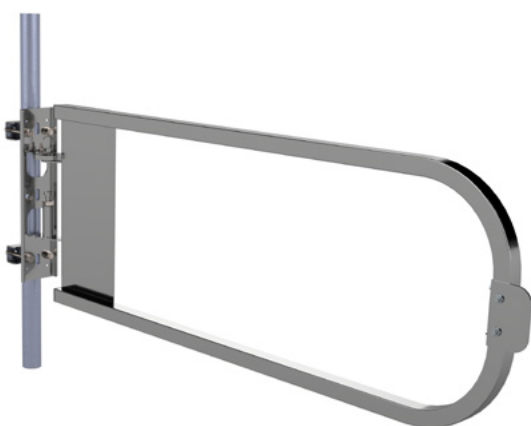
Fixing to concrete



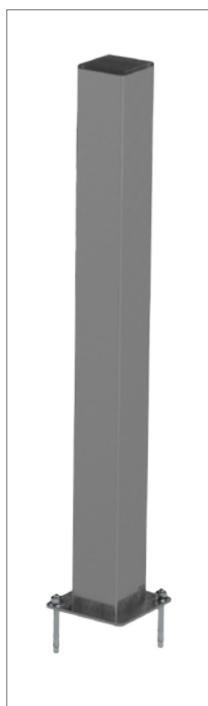
Fixing to posts



Fixing to pipe



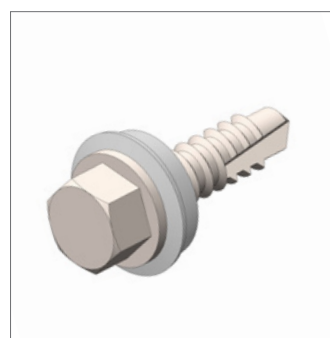
ELEMENTS OF THE SET ARE AVAILABLE SEPARATELY



AT241 003
support
post



AT241 004
blocking
plate



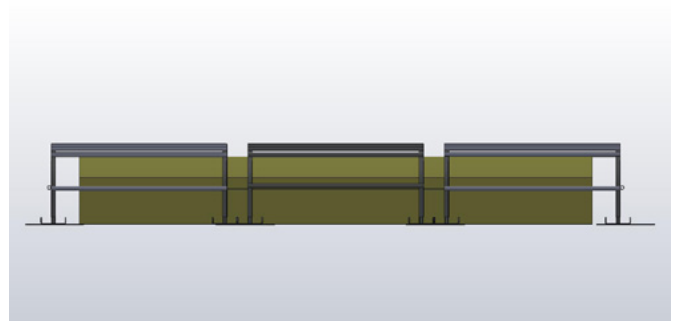
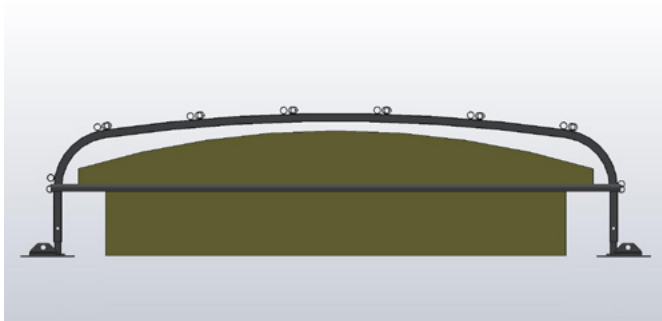
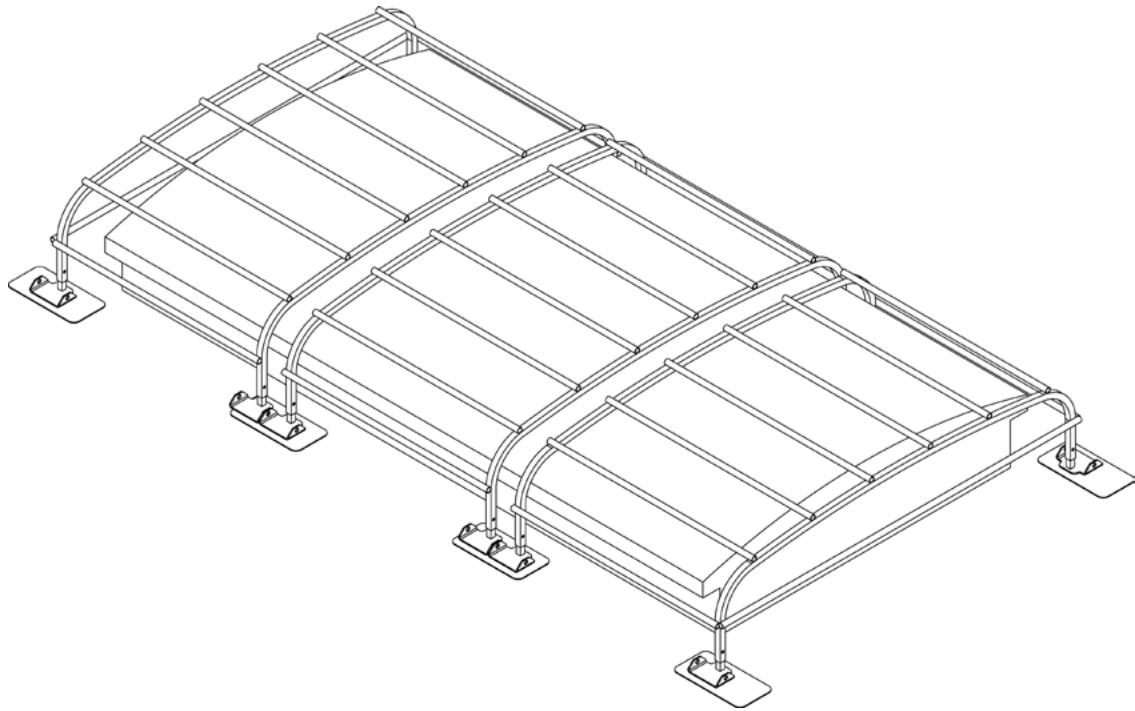
self drilling
screws
5 x 25 mm



AT241 002
stainless
steel clamp
on pipe



segmented
anchors
Hilti
HST2 M12
x 115/20



AT 242 is a system of fall protection grids (protection of skylights on flat and sloping roofs up to 15°) Installation without interfering with the roof sheathing - freestanding. The AT 242 system consists of intermediate modules and end modules with a maximum length of 1.2 m and a width of 2.5 m and legs with adjustable height.

PARAMETERS

Material:	hot-dip galvanized steel
Ability to absorb the kinetic energy of the fall :	1400 J
Max. width of the protected skylight:	2,5 m
Max. length of the protected skylight:	1,2 m
Length:	without limits
Height:	adjustable

REF. NO.:

AT 242

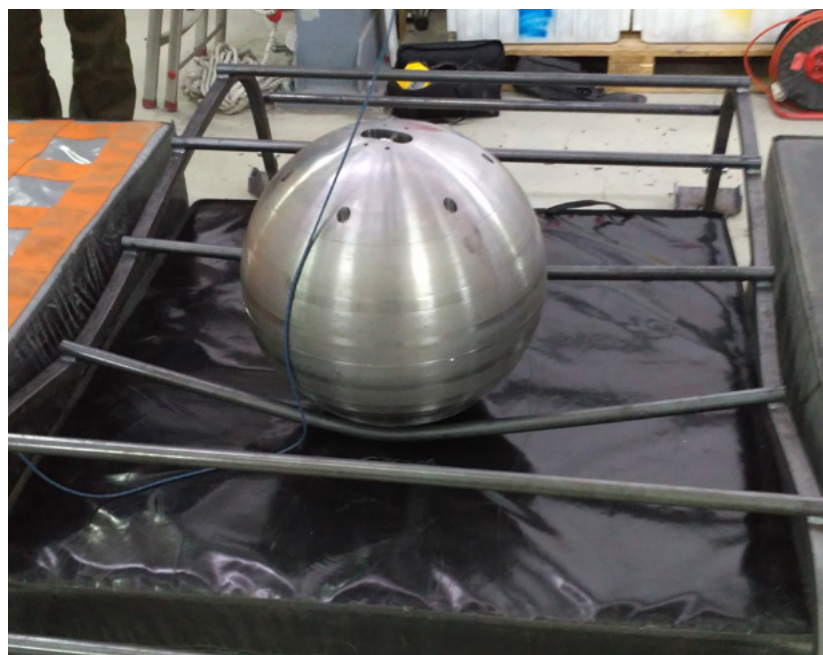
AN EXAMPLE OF THE APPLICATION OF THE AP 242 SYSTEM ON THE ROOF



AN EXAMPLE OF THE GRID STRENGTH TEST



- The weight of the ball with a diameter of 0.5 m is 100 kg (according to PN-EN 1263-1 standard).
- The height of the ball drop on the grid is 1.4 m.



AT 501

Retractable strap barrier

Ref. no.: **AT 501**

BASIC KIT - AT 501

KIT INCLUDING ADDITIONAL POLES AT 502



PRODUCT PRESENTATION

protekt.co/at501



Retractable strap barrier AT 501 is designed for securing, and warning and guarding of work locations.

PARAMETERS

Max. strap length:	15,5 m
Strap height:	0,55 m

REF. NO.:

AT 501

NR KAT.:

AT 501 + 2x AT 502

2 X AT 502



1010/1110/1210/1310 mm



AT 505

Retractable strap barrier

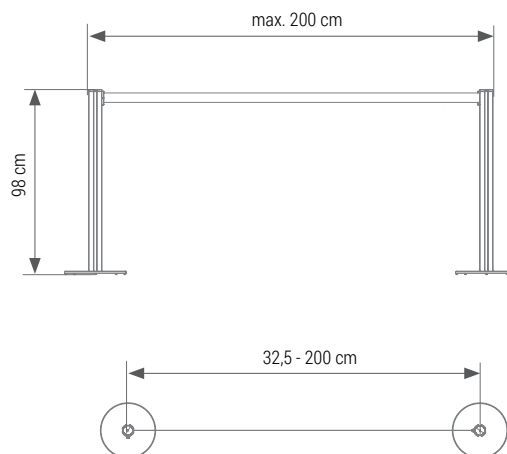
Ref. no.: **AT 505**



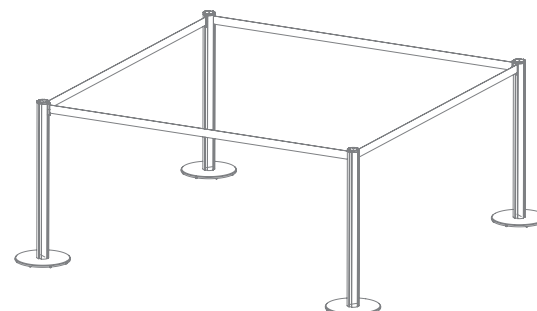
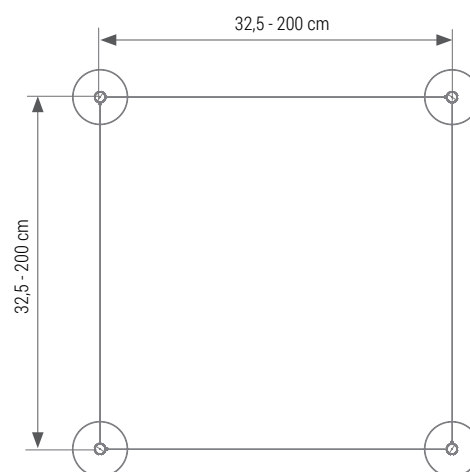
AT 505 10

AT 505 20

POSSIBLE CONFIGURATION - AT 505 X 2



POSSIBLE CONFIGURATION - AT 505 X 4



PARAMETERS

	AT 505 10	AT 505 20
Weight:	9,5 kg	9,5 kg
Pole height:	980 mm	1000 mm
Pole diameter:	70 mm	70 mm
Webbing width:	50 mm	50 mm
Strap length:	adjustable from 0 to 2.0m	adjustable from 0 to 2.0m
Foot diameter:	325 mm	350 mm
Post material:	powder coated aluminium	powder coated aluminium
Base material:	powder coated steel	plastic
Tape material:	poliester	plastic
Fastener material:	plastic	plastic

Steel foot is based on 8 plastic pods (to prevent surface scratches)

Colour:

- foot and post colour as per RAL colour palette (basic: RAL 5001)
- strap colour as per PROTEKT colour palette (basic: black)

REF. NO.:

AT 505 10

AT 505 20

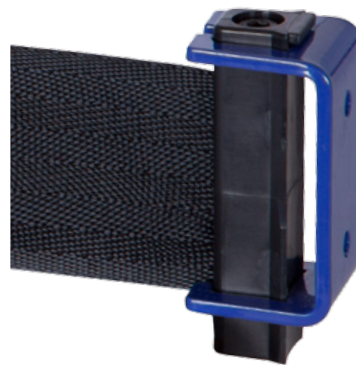
AT 506

Case with retractable strap for wall mounting

Ref. no.: AT 506



INSTALLING STRAP ON CLIP



INSTALLATION
BY 4 SCREWS

Case with retractable strap for wall mounting by 4 screws (or bolts, wall plugs, etc.), max. \varnothing 5mm (not included). Slide at the end of the strap is plugged into the wall clip (included). The case is available in RAL palette colours.

Strap colour as per PROTEKT colour palette (basic: black)

PARAMETERS

Weight:	0,4 kg
Strap length:	adjustable from 0 to 2.0m
Strap material:	polyester
Case material:	coated aluminium and plastic

REF. NO.:

AT 506

AT 507

Post for guarding and marking out of areas on roofs

Ref. no.: AT 507

RESISTANCE TO WIND UP TO 158 km/h*

*On trapezoidal sheet base.

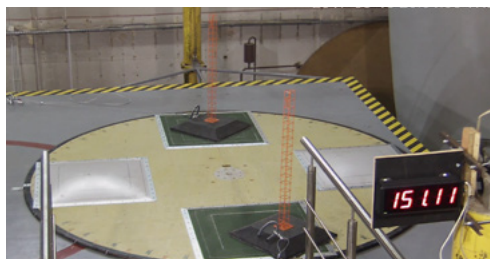
Resistance to wind up to: 151km/h
(base - roofing paper), up to: 140km/h
(base - PVC membrane).

Testing was carried out in aerodynamic tunnel at the Institute of Aviation, Warsaw.

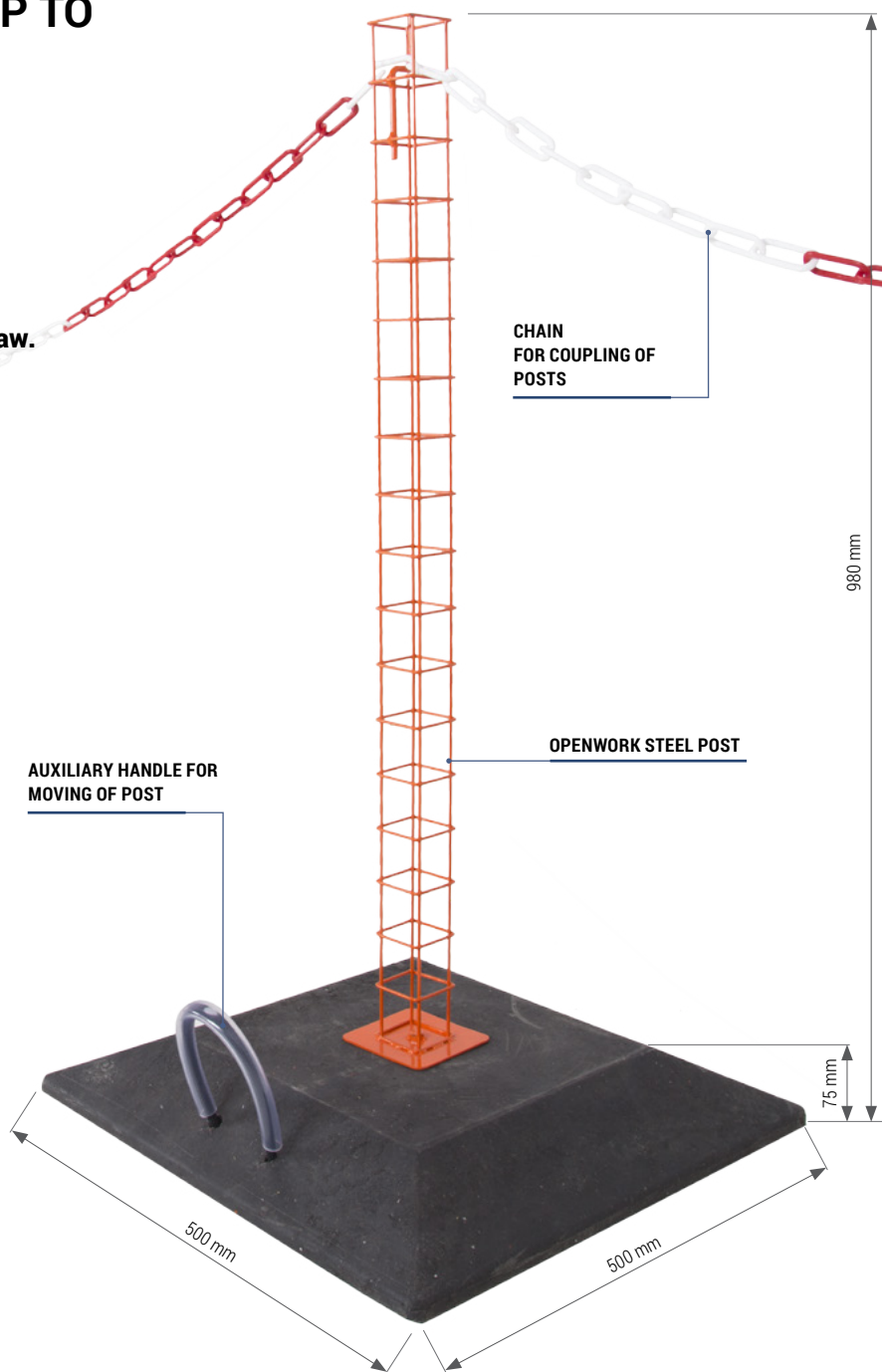
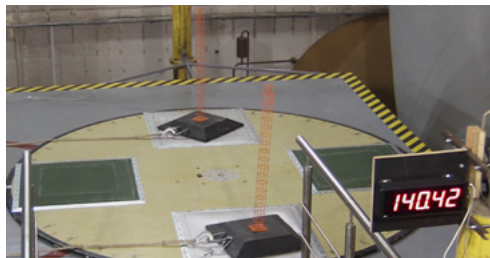
Trapezoidal sheet base



Roofing paper base



PVC membrane base



PARAMETERS

Weight:	base - 15kg, whole 10kg
Post spacing:	~ 2m
Post with base material:	post - powder-coated steel, base - PVC recycle
Materiał łańcucha:	plastic in various colours
Dimensions:	openwork post - 50 x 50 x 980 mm base - 500 x 500 x 75 mm

Openwork powder coated steel post with PVC foot for placement on roofs for guarding of danger areas and marking out of communication lanes. Posts are placed in a row, spaced ~2m and connected by plastic chain. Connecting chain, plastic (two-colour). Possibility of placing on various bases: roofing paper, trapezoidal sheet, PVC membrane. Allowed on roofs with inclination of no more than 5°.



REF. NO.:

AT 507 (post with base + 2m chain)

On request yellow post + yellow-black chain is available

RX 721, RX 722

Safety netting

Ref. no.: RX 721, RX 722

**RX 721
netting type**

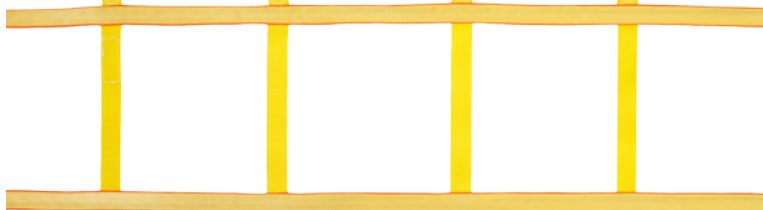


AUTOMATIC BUCKLE

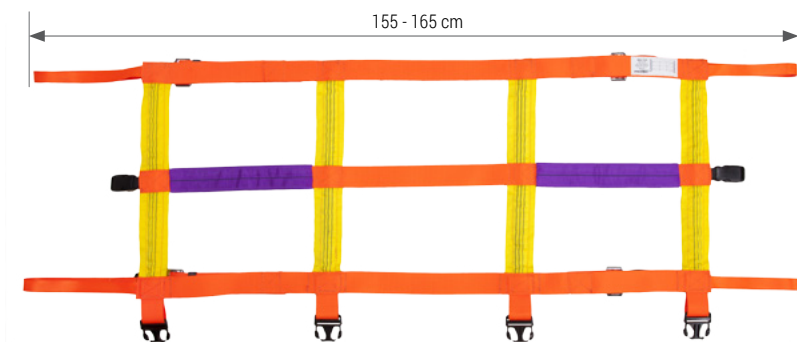
NETTING CAN BE COMBINED TOGETHER



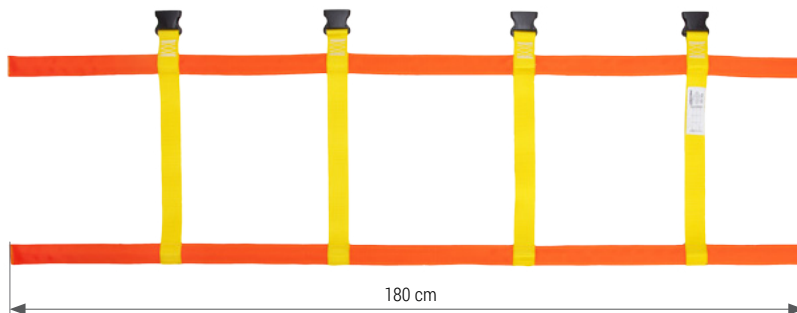
**RX 722
netting type**



**RX 721
netting front**



**RX 722
netting front**



PARAMETERS

Material:	polyester
Netting dimensions:	RX 721 - 155-165 x 54 cm, RX 722 - 180 x 54 cm
Colour:	yellow, orange, purple

REF. NO.:

RX 721

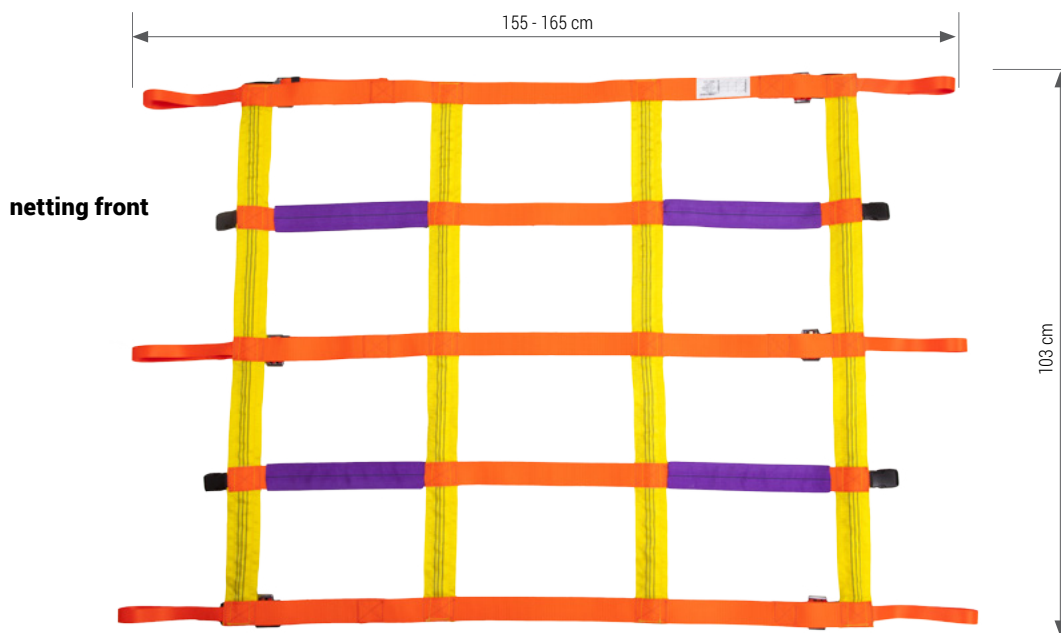
RX 722

Netting RX 721, RX 722 for vertical protection, commonly used in places where a risk of fall is present (any door, window openings and crossings, etc.)

Recommended for the protection of:

- stairs
- openings in rail, metro wagons, trams and buses.

Ref. no.: RX 723



Netting RX 724 for vertical protection, commonly used in places where a risk of fall is present (any door, window openings and crossings, etc.)

Recommended for the protection of:

- stairs
- openings in rail, metro wagons, trams and buses.

PARAMETERS

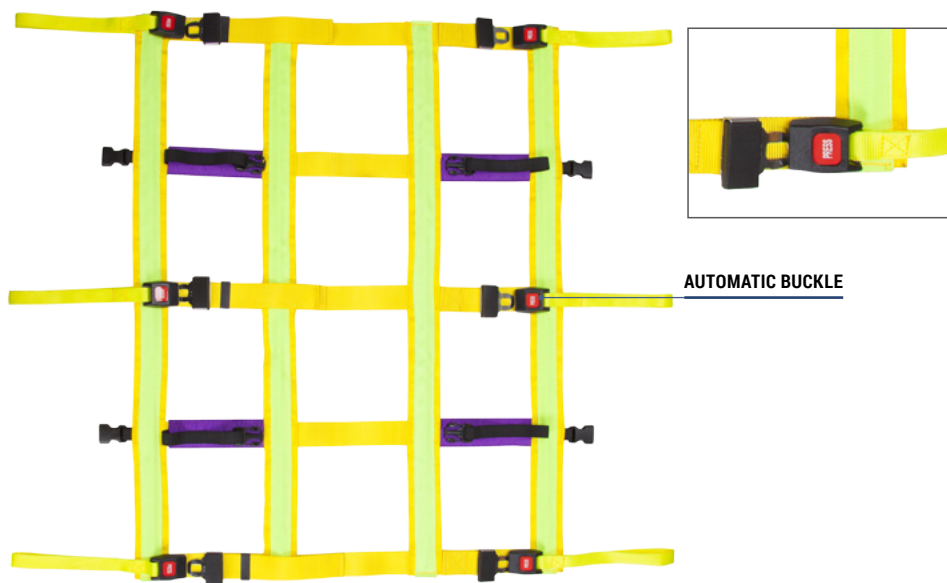
Material:	polyester
Netting dimensions:	153-168 x 103 cm
Colour:	yellow, yellow HV, orange HV, purple

REF. NO.:

RX 723

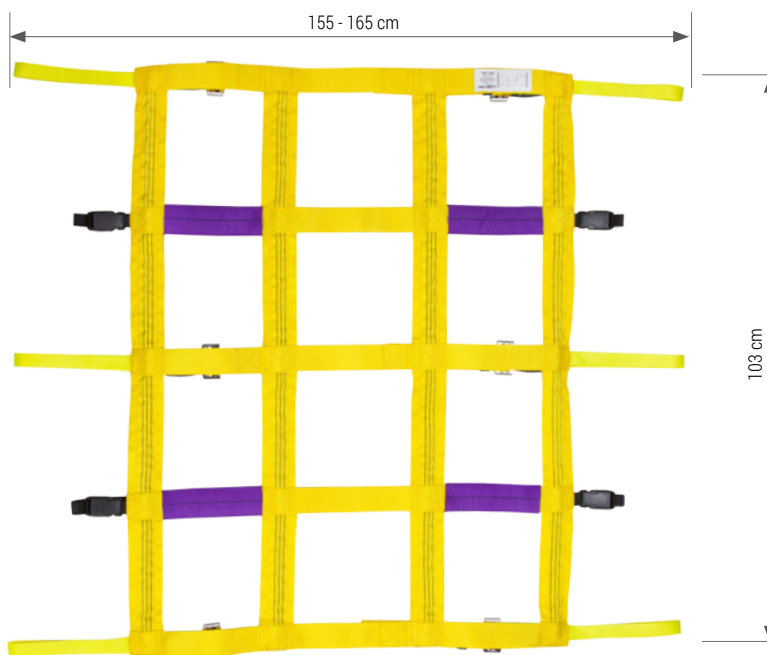
Ref. no.: RX 724

netting type



AUTOMATIC BUCKLE

netting front



PARAMETERS

Material:	polyester
Netting dimensions:	114-130 x 103cm
Colour:	yellow, yellow HV, purple

Netting RX 724 for vertical protection, commonly used in places where a risk of fall is present (any door, window openings and crossings, etc.)

Recommended for the protection of:

- stairs
- openings in rail, metro wagons, trams and buses.

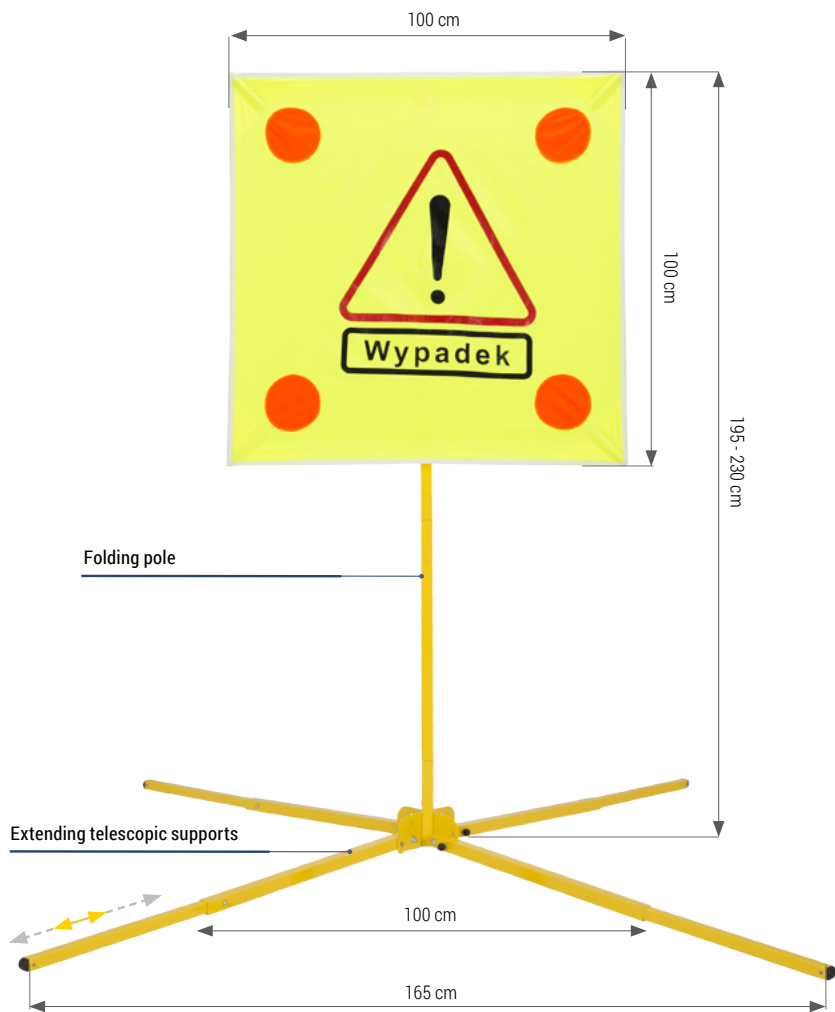
REF. NO.:

RX 724

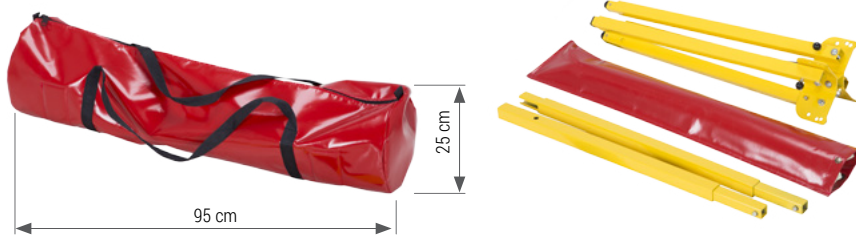
ZDR 010

Folding sign "ACCIDENT"

Ref. no.: ZDR 010



CARGO BAG



Folding sign ZDR 010 "ACCIDENT" is a portable solution enabling instant marking of a place of accident. The sign stand is made of powder coated steel and glass fibre. The sign fabric is made from Hi-Vis polyester.

- Adjustable height by folding legs.
- Possibility of placing on an uneven ground (each leg can be adjusted separately).
- Adjustable leg length.
- Cover and bag for transport and storage.

PARAMETERS

Material:	stand - powder-coated steel sign - polyester, glass fibre
Weight:	14kg - including cover
Dimensions:	95 x 25 x 25 cm - packed 100 x 100 cm - sign dimensions

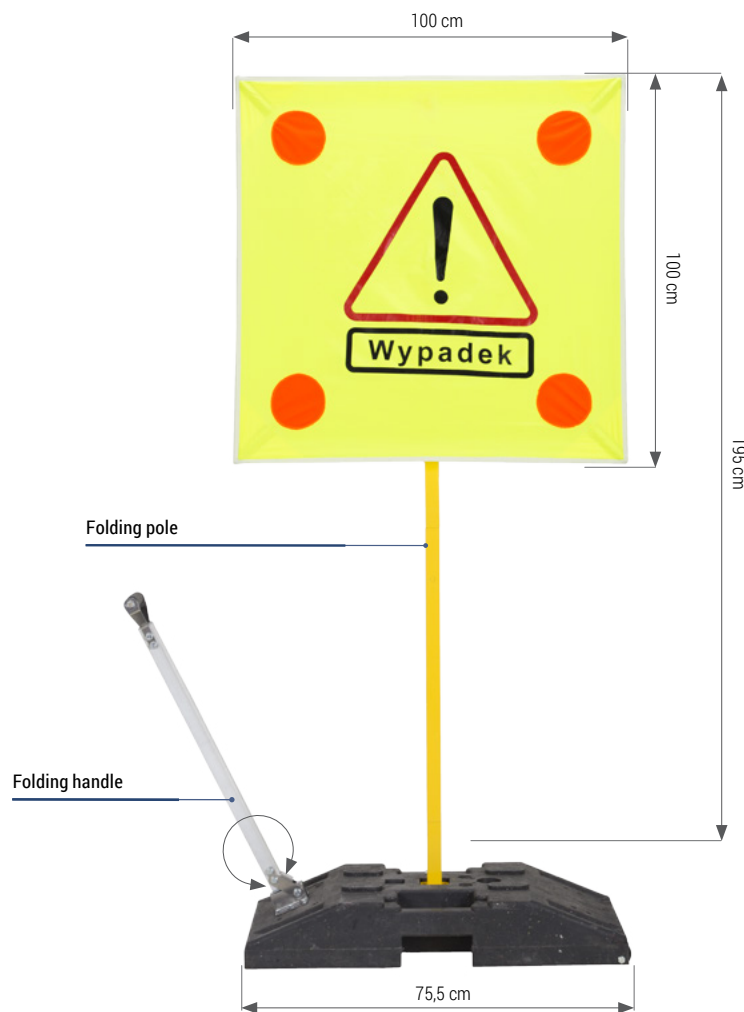
REF. NO.:

ZDR 010

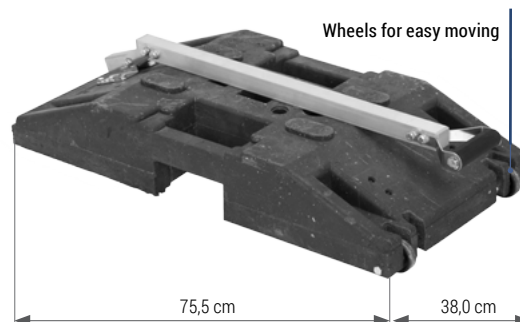
ZDR 020

Folding sign "ACCIDENT"

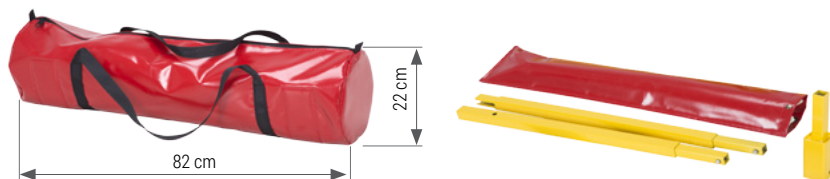
Ref. no.: ZDR 020



BASE



CARGO BAG



Folding sign ZDR 020 "ACCIDENT" is a portable solution enabling instant marking of a place of accident. The sign stand is made of powder coated steel. The sign fabric is made from Hi-Vis polyester.

- Portable rubber base with wheels and handle.
- Cover and bag for transport and storage.

PARAMETERS

Material:	stand - powder-coated steel sign - polyester, glass fibre base - rubber compound
Weight:	5,00 kg - sign 27,00 kg - base
Dimensions:	95 x 25 x 25 cm - packed 100 x 100 cm - sign dimensions 75,5 x 38 x 14 cm - base

REF. NO.:

ZDR 020



ZDR 040 is a race (with lug) road sign of a “pyramid” type. It is used to mark dangerous places, trenches, road works, etc. Transport and storage in a cover.



Transport bag
120 cm x 20 cm

On a special order, there is the possibility of making an individual print according to a separate valuation.

PARAMETERS

Material:	Galvanized steel PCV HV (High visible)
Weight:	7,5 kg with a cover
Dimensions of the base - triangle:	125x125x125 cm
Transport dimensions:	20x20x120 cm
Height:	85 cm

REF. NO.:

ZDR 040

ZS 010

Manhole protection

Ref. no.: ZS 010



PARAMETERS

Material:	powder coated steel
Weight:	3,8 kg
Dimensions:	497/700 x 258 x 66 mm

ZS 010 is a device for the protection of open manholes. Variable adjustment to suit to any type of manhole.

REF. NO.:

ZS 010

Additional accessories

Bosun's chairs	16 - 2
Climbing	16 - 4
Tool lanyards	16 - 10
Tool holders	16 - 18
Cargo bags	16 - 20
Cargo cases and boxes	16 - 23
Covers	16 - 26
Straps for heavy load handling	16 - 29
Line throwing weights	16 - 30
Tree climbing carts	16 - 35
Paints and applicators	16 - 34
Fans	16 - 38

BA

Bosun's chair



Ref. no.: **BA**

Bosun's chair BA including work rope. When working with the chair it is required to additionally use fall protection equipment. Person using the chair can be descended and lifted (gear ratio 1:4).

PARAMETERS

Seat dimensions: 530 x 270 mm

REF. NO.:	OPERATING RANGE
-----------	-----------------

BA 010	0-10 m
--------	--------

BA 020	0-20 m
--------	--------

BA 030	0-30 m
--------	--------

BA 040	0-40 m
--------	--------

SEAT WITH HOLDERS

BA 100

Bosun's chair



PRODUCT
PRESENTATION

protekt.co/ba100



Ref. no.: **BA 100**

Bosun's chair with seat finished in anti-slip fabric. Side profiling provides stability during work.

PARAMETERS

Seat dimensions: 530 x 190 mm

REF. NO.:

BA 100

BA 200

Bosun's chair

Ref. no.: **BA 200**

Bosun's chair, fitted with a safety strap and a seat with thermal insulation lining. 4 connectors AZ 011 are included.



PARAMETERS

Seat dimensions: 530 x 270 mm

REF. NO.:

BA 200

BA 300

Bosun's chair

Ref. no.: **BA 300**

Bosun's chair is made of tarpaulin fabric. Load bearing textile webbings with equipment holders and one closed pocket, dimensions 230 x 200mm.



PARAMETERS

Seat dimensions: 530 x 190 mm

REF. NO.:

BA 300

CD 401

Rigging plate

Ref. no.: **CD 401**



Rigging plate is designed for quick setting up of complex rigs thanks to numerous boreholes for connectors. Rigging plate has a large single main connecting point and three holes 20mm dia for connectors.

PARAMETERS

Weight:	62 g
Strength:	36 kN
Dimensions:	90 x 83,5 mm
Material:	aluminium

REF. NO.:

CD 401

CD 402

Rigging plate

Ref. no.: **CD 402**



Rigging plate designed for quick forming of complex rigs thanks to numerous boreholes for connectors. Rigging plate enables extension of connecting points on a rig. It has a large single main connecting point with two auxiliary holes, and 5 holes 20mm dia for connectors.

PARAMETERS

Weight:	240 g
Strength:	50 kN
Dimensions:	100 x 159 mm
Material:	aluminium

REF. NO.:

CD 402

CD 403

Rigging plate

Ref. no.: **CD 403**

Rigging plate enables perfect alignment of connectors in the line of action of the force. It can also be used as a main rigging point in complex systems. The rigging plate has 5 holes 20mm dia at one side, and 8 holes 20mm dia for connectors.



PARAMETERS

Weight:	500 g
Strength:	50 kN
Dimensions:	149 x 248 mm
Material:	aluminium

REF. NO.:

CD 403

CD 101

Double pulley

Ref. no.: **CD 101**

Double pulley CD 101 is a device designed for horizontal transport using textile ropes of up to 13mm dia.



PARAMETERS

Weight:	250 g
Dimensions:	103 x 90 x 33 mm

REF. NO.:

CD 101

CD 201, CD 202

Chest ascender

Ref. no.: **CD 201, CD 202**



Chest ascender CD 201 and CD 202 without handle is designed for rope ascending or belaying. To be used with a kernmantle rope 8-13mm dia. Fitted with rope grab.

PARAMETERS

Weight:	220 g
Dimensions:	134 x 90 x 28 mm

REF. NO.:

CD 201

CD 202

CD 201L, CD 202L

Chest ascender

Ref. no.: **CD 201L, CD 202L**



Chest ascender CD 201 ultra light and CD 202 ultra light without handle is designed for rope ascending or belaying. To be used with a kernmantle rope 8-13mm dia. Fitted with rope grab.

PARAMETERS

Weight:	135 g
Dimensions:	112 x 95 x 23 mm

REF. NO.:

CD 201L

CD 202L

CD 211, CD 212

Chest ascender

Ref. no.: **CD 211, CD 212**



Handled ascender CD 211 and CD 212 with handle for right- and left-hand users is designed for rope ascending on vertical surfaces or on slopes. To be used with a kernmantle rope 8-13mm dia. Fitted with rope grab.

PARAMETERS

Weight:	220 g
Dimensions:	207 x 100 x 28 mm

REF. NO.:

CD 211

CD 212

CD 211L, CD 212L

Chest ascender

Ref. no.: **CD 211L, CD 212L**



PRODUCT
PRESENTATION

protekt.co/cd211l



Belay CD 211 ultra light and CD 212 ultra light with handle for right- and left-handed users is designed for rope ascending on vertical surfaces or on slopes. To be used with a kernmantle rope 8-13mm dia. Fitted with rope grab.

PARAMETERS

Weight:	205 g
Dimensions:	190 x 93 x 24 mm

REF. NO.:

CD 211L

CD 212L

CD 302

Rigging plate

Ref. no.: **CD 302**



Rappel eight CD 302 is used rappel or rescue with use of a single or half rope.

PARAMETERS

Weight: 80 g

Dimensions: 108 x 80 x 7 mm

REF. NO.:

CD 302

CD 303

Rigging plate

Ref. no.: **CD 303**



Rappel eight CD 303 for rope descending.

PARAMETERS

Weight: 80 g

Dimensions: 131 x 74 mm

Rope diameter: 8 - 13 mm

REF. NO.:

CD 303

KR 200, KR 210

Swivel

Ref. no.: KR 200, KR 210



K 200

K 210

PARAMETERS

	KR 200 SWIVEL SHACKLE WITH BEARINGS	KR 210
Weight:	167 g	157 g
Dimensions:	113 x 54 x 34 mm	113 x 54 x 34 mm
Material:	aluminium alloy	aluminium alloy
Static strength:	no less than 30 kN	no less than 30 kN
Breaking strength:	less than 50 kN	less than 50 kN

REF. NO.:

KR 200

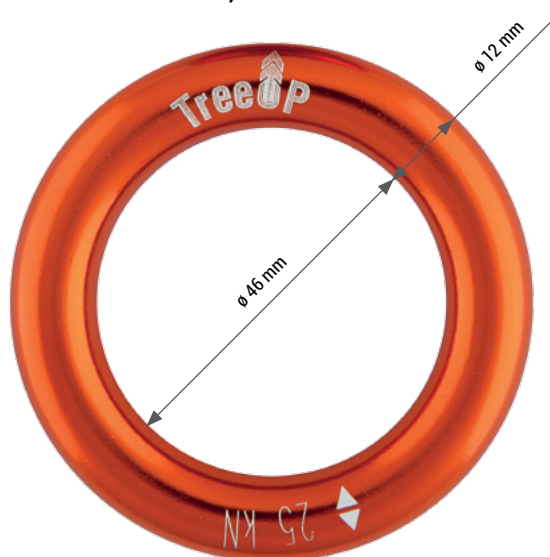
KR 210

KLK 100, KLK 200

Ref. no.: KLK 100, KLK 200



KLK 100



KLK 200

REF. NO.:

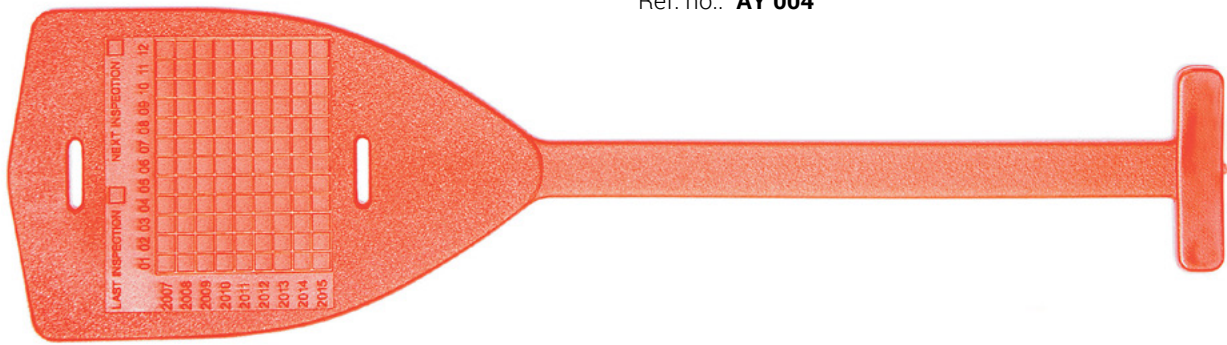
KLK 100

KLK 200

AY 004

Periodical inspection tag

Ref. no.: **AY 004**



Periodical inspection tag for marking of the date of the next periodical inspection of the equipment. Available in different colours on request.

PARAMETERS

Orange	01		Blue	04	
Yellow	02		Grey	05	
Green	03		Red	06	

REF. NO.:

AY 004

AY 005 Perforator for periodical inspection tag AY 004

Ref. no. **AY 005**



REF. NO.:

AY 005

AY 001 Wrist tool lanyard

Ref. no. **AY 001**

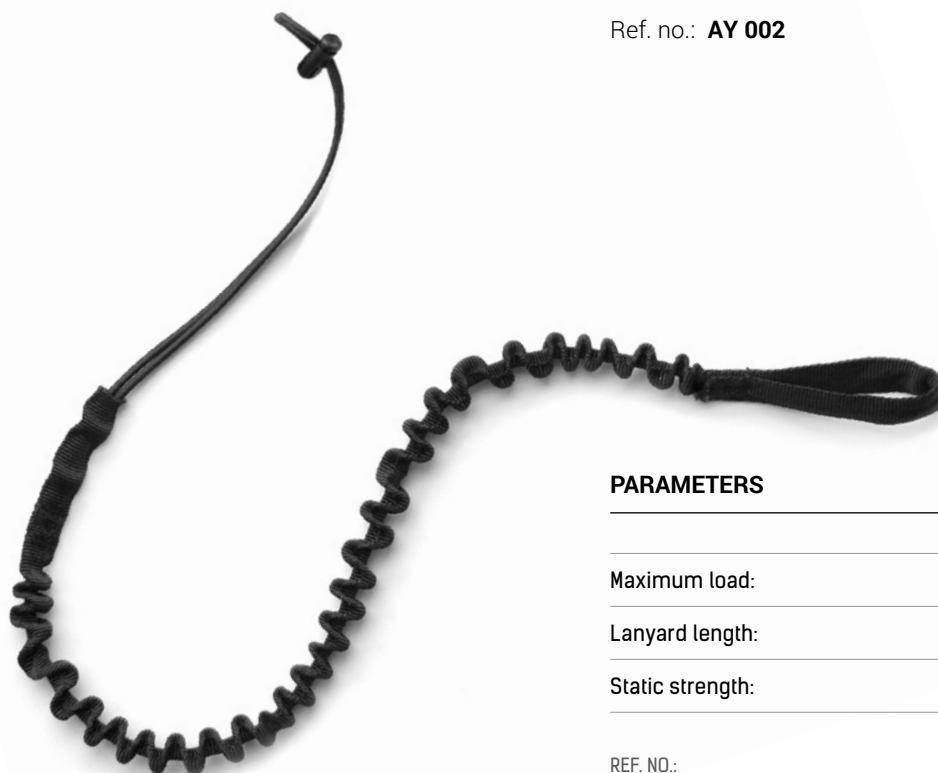


REF. NO.:

AY 001

AY 002

Belt tool lanyard



Ref. no.: **AY 002**



PARAMETERS

Maximum load:	2 kg
Lanyard length:	max. 120 cm
Static strength:	15 daN / 3 min with no break

REF. NO.:

AY 002

AY 003

Retractable tool holder



Ref. no.: **AY 003**



PARAMETERS

Maximum load:	2 kg
Lanyard length:	max. 115 cm
Static strength:	35 daN / 3 min with no break

REF. NO.:

AY 003

AY 010

Retractable tool holder with lanyard lock

NEW

Ref. no.: **AY 010**



Retractable tool holder with lanyard lock and webbing for wearing on the wrist.

PARAMETERS

Maximum load:	2 kg
Lanyard length:	max 115 cm
Static strength:	35 daN

REF. NO.:

AY 010

AY 011

Wrist tool lanyard

Ref. no. **AY 011**



AY 012

Tool lanyard for left-hand users

Ref. no.: **AY 012**



PARAMETERS

Maximum load:	2 kg
Lanyard length:	max. 115 cm
Static strength:	35 daN / 3 min with no break

REF. NO.:

AY 011

REF. NO.:

AY 012

AY 023 Steel tool lanyard

Ref. no.: **AY 023**



REF. NO.:

AY 023

AY 032 Fast

Ref. no.: **AY 032**



PARAMETERS

Dimensions:	45 x 15 x 20 mm
Size:	universal
Weight:	5 g
Material:	polyamide

REF. NO.:

AY 032

AY 024 Connecting lanyard

Ref. no.: **AY 024**



PARAMETERS

Lanyard length without rings:	30 cm
Ring diameter:	45 mm
Weight:	25 g
Material:	plastic-coated galvanized steel cable ø 2mm

REF. NO.:

AY 024

KLK 420

Ref. no.: **KLK 420**



REF. NO.:	ROPE DIAMETER
KLK 420 12	ø 12 mm
KLK 420 16	ø 16 mm
KLK 420 26	ø 26 mm

AY 033

Connector-stabilising thimble guard

Ref. no.: **AY 033**



PARAMETERS

Weight:	20 g
Material:	EPDM
Dimensions:	61 x 50 x 30 mm

New, easy-to-use connector-stabilising thimble guard, intended for textile ropes 12mm and 14mm.

REF. NO.:

AY 033

AY 034

Connector stabiliser

NEW

Ref. no.: **AY 034**



New, easy-to-install connector stabiliser to be used with various textile ropes and webbings.

PARAMETERS

Weight:	3,5 g
Material:	thermoplastic elastomere
Dimensions:	65 x 20 x 5 mm

REF. NO.:

AY 034

TA 060

Energy absorber ABM cover

Ref. no.: **TA 060**

PARAMETERS

Material: polyester / PVC fabric

COLOUR VERSIONS



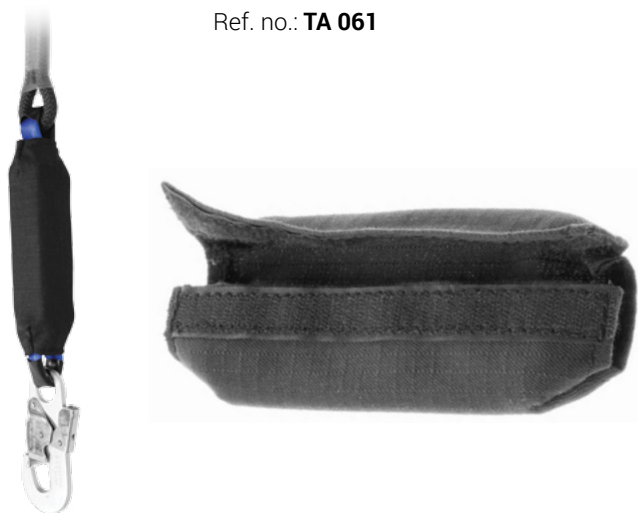
REF. NO.:

TA 060

TA 061

Energy absorber ABM aramid cover

Ref. no.: **TA 061**



PARAMETERS

Material: aramid fabric

REF. NO.:

TA 061

TA 070

Absorber cover

Ref. no.: **TA 070**



PARAMETERS

Material: poliester

Dimensions of an absorber available for use with the bag:

Height (without ferrule): 185 +/- 5 mm

Width: 135 +/- 5 mm

Thickness: 70 +/- 5 mm

Strap length: 400 - 800 mm

REF. NO.:

TA 070

PS 001 Multi-purpose padding for shoulder straps

Ref. no.: PS 001



Padding for shoulder straps on full body harness. Made of fabric-coated neoprene foam. Improves comfort when working in full body harness, and helps reduce constriction caused by the shoulder straps. Facilitates wearing of full body harness. Can be used with all types of full body harnesses manufactured by PROTEKT.

REF. NO.:

PS 001

PS 003 Multi-purpose padding for shoulder strap

Ref. no.: PS 003



Multi-purpose pad for full body harness. Made of leather and fabric coated neoprene foam. Improves comfort when working in full body harness, and helps reduce constriction caused by the straps. Can be used with all types of full body harnesses manufactured by PROTEKT. The padding protects harness straps against damage.

REF. NO.:

PS 003

PS 002 Multi-purpose padding for shoulder straps

Ref. no.: PS 002



Padding for shoulder straps on full body harness. Made of fabric-coated neoprene foam. Improves comfort when working in full body harness, and helps reduce constriction caused by the shoulder straps. Facilitates wearing of full body harness. Can be used with all types of full body harnesses manufactured by PROTEKT.

REF. NO.:

PS 002

PS 004 Multi-purpose padding for shoulder strap

Ref. no.: PS 004



Multi-purpose pad for full body harness. Made of leather and fabric coated neoprene foam. Improves comfort when working in full body harness, and helps reduce constriction caused by the straps. Can be used with all types of full body harnesses manufactured by PROTEKT. The padding protects harness straps against damage.

REF. NO.:

PS 004

PS 040

Shoulder padding

Ref. no.: **PS 040**



Light shoulder padding PS 040 intended for cooperation with WR 040 Double. The device ensures comfortable and safe work.

PARAMETERS

Material: polyester, PVC

Weight: 250 g

REF. NO.:

PS 040

16

ADDITIONAL ACCESSORIES

PE 010

Elastic belt



Ref. no.: **PE 010**

Elastic belt designed for:

- heavy duty machine operators and lorry drivers;
- workers who carry loads.

PARAMETERS

SIZE	WAIST
M	86 cm
L	86-96 cm
XL	96-108 cm
XXL	108-128 cm

REF. NO.:

PE010

AP 300

Straps for heavy load handling



Ref. no.: AP 300



Straps for lifting heavy objects, such as furniture, chests, barrels, machine parts. Thanks to the strap design the load can be distributed evenly so that the user's spine is not overloaded. Kit for two users.

REF. NO.:

AP300

AP 303

Belts for carrying heavy things (objects).



Set contains 2 pieces of each component.



AP 303 are new comfortable belts for carrying heavy items such as furniture, boxes, barrels or machine parts. The design of the belts allows the simultaneous distribution of the load on the employee's spine. AP 303 belts are equipped with automatic buckles that connect shoulder belts with adjustable belts.

PARAMETERS

Material:	polyester, PVC
Weight:	max. 3 m

REF. NO.:

AP 303

16

ADDITIONAL ACCESSORIES



TU 350 is a specifically-designed light cone wedge for use on the ground and on trees. It is intended for small and medium-sized trees. After a cut is made in the tree, the cone wedge is inserted which makes it easier to release the cut saw guide or enables to control tree tilting. The cone wedge may be turned using a ratchet spanner, impact gun or a high-torque drill driver equipped with a 1/2" squared pin. The cone wedge is made of thermally-hardened steel and its surface is protected by thermal and chemical processing (black oxide treatment). It is easy to fasten to a harness using a flexible rope.

PARAMETERS

Material:	thermally tempered steel
Weight of the set:	642 g (cone wedge and rope)
Dimensions of the cone:	170 x 35 mm
Dimensions of the cone:	35 mm
The length of the cable:	130 cm (expanded)

REF. NO.:

TU 350



TU 360 is a pocket-size wooden wedge, made of durable plastics, helps to release the jammed saw guide without the risk of damaging the chain, even in case of contact with it. Compact size and low weight allows to use both on the ground and on the tree. large, central hole allows for attaching the wedge to the harness by means of majority of holders of tools and carabineers.

PARAMETERS

Material:	high-stroke thermal-plasticst
Weight:	46 g
Dimensions:	93 x 49 x 18 mm
Available colours:	yellow / black

REF. NO.:

TU 360

AY 080

Line throwing weight

Ref. no.: **AY 080**



PARAMETERS

Weight:	220 g, 280 g, 340 g, 400 g, 460 g
Material:	steel, lead, polyester

REF. NO.:	WEIGHT
AY 080 220	220 g
AY 080 280	280 g
AY 080 340	340 g
AY 080 400	400 g
AY 080 460	460 g

AY 081

Line throwing weight

Ref. no.: **AY 081**



PARAMETERS

Weight:	220 g, 280 g, 340 g, 400 g, 460 g
Material:	steel, lead, reinforced PVC

REF. NO.:	WEIGHT
AY 081 220	220 g
AY 081 280	280 g
AY 081 340	340 g
AY 081 400	400 g
AY 081 460	460 g

AY 082

Line throwing weight

Ref. no.: **AY 082**

PARAMETERS

Weight:	220 g, 280 g, 340 g, 400 g, 460 g
Material:	steel, lead, synthetic leather, polyester



REF. NO.:	WEIGHT
AY 082 220	220 g
AY 082 280	280 g
AY 082 340	340 g
AY 082 400	400 g
AY 082 460	460 g

AY 083

Line throwing weight

Ref. no.: **AY 083**

PARAMETERS

Dimensions:	127 x 52 mm
Weight:	250 g, 350 g, 450 g
Material:	rubber, stainless steel
Breaking strength:	500kg of holder per rope



350 g
AY 083 350
orange

450 g
AY 083 450
red

250 g
AY 083 250
blue

REF. NO.:	WEIGHT
AY 083 250	250 g
AY 083 350	350 g
AY 083 450	450 g

EL 013 Easyline Edge applicator

Ref. no.: **EL 013**



Easyline (TM) Edge paint system applicator for painting lines 50-75-100mm wide. Wheeled applicator for loading a paint tank. The Easyline Edge system allows for painting lines, inscriptions and signs professionally, nearby walls, furniture, fences, inside and outside buildings. The system can be used for multiple applications when painting and marking factory floors, warehouses, parking lots, sport grounds, etc. The Easyline Edge system comprises: applicators, paints and template sets.

REF. NO.:

EL 013

EL 014 Paint applicator

Ref. no.: **EL 014**



Manual paint applicator for Easyline (TM) system. The Easyline (TM) system allows for painting lines, inscriptions and signs professionally, inside and outside buildings. The system can be used for multiple applications when painting and marking factory floors, warehouses, parking lots, sport grounds, etc. The Easyline (TM) system comprises: applicators, paints and template sets.

REF. NO.:

EL 014

EL 020, EL 021 Template set

Ref. no.: **EL 020, EL 021**



The set comprises:

- letters A-Z (capital);
- digits 0-9;
- arrows;
- exclamation mark.

REF. NO.:

EL 020 letter height 300mm

EL 021 letter height 150mm

magnets for holding templates

laying-out line 15m + chalk

laying-out line 30m + chalk

EL 030 Safe Step tape

Ref. no.: **EL 030**



Anti-slip coating Safe Step 100 is a durable, exceptionally resistant, permanent solution to problems with slippery surfaces. Anti-slip coating can be applied on most of surfaces (wood, metal, concrete, tiles). Recommended for application, e.g. on factory and warehouse floors, stairs, pavements, platforms. Resistant to chemical substances (acids, bases, detergents).

REF. NO.:

EL 030 25 - tape Safe Step standard 25mm x 18.25m

EL 030 50 - tape Safe Step standard 50mm x 18.25m

EL 030 51 - tape Safe Step fluorescent 50mm x 18.25m

EL 100 XX

Easyline Edge paint

Ref. no.: **EL 100 XX**

Easyline (TM) Edge epoxy spray paint, container 750mL. Epoxy paint leaving permanent lines with sharp edges. The paint does not contain freon and nitrogen. Solvent resistant (after 7 days): resistant to most of common chemicals, e.g. detergents, spirits, oil, petrol.



Approximate spreading rate: single container 750mL for painting a 100m long and 55mm wide line.

REF. NO.:	COLOUR VERSION
EL 100 01	orange -RAL 2009
EL 100 02	yellow -RAL 1023
EL 100 03	red -RAL 3020
EL 100 04	blue -RAL 5017
EL 100 05	green -RAL 6024
EL 100 07	grey -RAL 7045
EL 100 08	white -RAL 9016
EL 100 09	fluorescent paint
EL 100 12	black -RAL 9017

EL 035

Fluorescent paint

EL 040

Anti-Slip Spray

Ref. no.: **EL 035**

Ref. no.: **EL 040**



Anti-slip coating Safe Step 100 is a durable, exceptionally resistant, permanent solution to problems with slippery surfaces. Anti-slip coating can be applied on most of surfaces (wood, metal, concrete, tiles). Recommended for application, e.g. on factory and warehouse floors, stairs, pavements, platforms. Resistant to chemical substances (acids, bases, detergents).



Transparent anti-slip spray - easy application. Recommended for use inside and outside buildings, areas with pedestrian traffic.

Spread rate: 400 mL container for a surface of 1.5-2m².

REF. NO.:

EL 035 01 - szara 3,78 l

EL 035 02 - żółta 3,78 l

REF. NO.:

EL 040

SN 060 / SN 120 Metal tool cabinet

SN 060



SN 120



SN 060 / SN 120 are ventilated and lockable tool cabinets adapted to store safety equipment and any accessories useful for working at heights. The SN 060 / SN 120 cabinets can be combined with each other to create convenient modules.

PARAMETERS

Material:	powder coated steel
Dimensions:	SN 060 – 60 x 70 x 37,5 cm SN 120 – 120 x 70 x 37,5 cm
Colour:	gray

REF. NO.:

SN 060

SN 120

WP 011, W 012, W 013

Blowers

Ref. no.: WP 011, WP 012, WP 013



	WP 011	WP 012	WP 013
Power supply:	230-250 V	230-250 V	230-250 V
Frequency:	50-60 Hz	50-60 Hz	50-60 Hz
Motor power:	185 W	245 W	745 W
Airflow capacity:	1300 m ³ /h	1450 m ³ /h	3500 m ³ /h
Sound pressure:	80 dB	74 dB	85 dB
Weight:	8,10 kg	8 kg	14,75 kg
Dimensions (H x L x W):	47 x 38,10 x 31,75 cm	36 x 33 x 30 cm	53,30 x 43,15 x 35,55 cm

WP 310, WP 330 Duct connector for blower

Ref. no.: WP 310, WP 330



PARAMETERS

WP 310 diameter 20cm

WP 330 diameter 29cm

REF. NO.:

WP 310 for blower WP-011

WP 330 for blower WP-013

WP 410, WP 430 Duct coupler for blower

Ref. no.: WP 410, WP 430



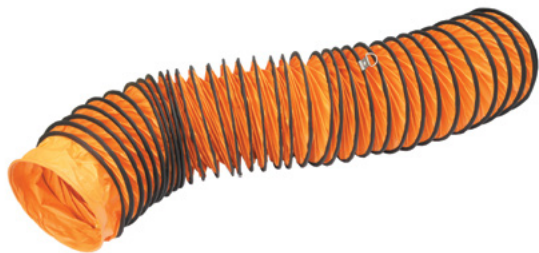
REF. NO.:

WP 410 for blower WP-011

WP 430 for blower WP-013

WP 110, WP 130 Duct for blower

Ref. no.: WP 110, WP 130



PARAMETERS

WP 110	diameter 20 cm
WP 130	diameter 29 cm
REF. NO.:	MAX LENGTH
WP 110 04 for blower WP-011	4,0 m
WP 110 07 for blower WP-011	7,0 m
WP 130 04 for blower WP-013	4,0 m
WP 130 07 for blower WP-013	7,0 m

WP 212 Complete ventilation set

Ref. no.: WP 212



PARAMETERS

	WP 212 04	WP 212 07
Duct diameter:	20 cm	25 cm
Airflow capacity:	1200 m3/h	1200 m3/h
Weight:	13,30 kg	18,30 kg
Dimensions:	36 x 80 x 30 cm	36 x 105 x 30 cm
REF. NO.:	MAX DUCT LENGTH	
WP 212 04	4,0 m	
WP 212 07	7,0 m	

WP 200

Container with duct for blower WP 012

Ref. no.: WP 200



PARAMETERS

	WP 200 04	WP 200 07
Weight:	5,30 kg	10,30 kg
Dimensions:	36 x 58 x 30 cm	36 x 82 x 30 cm
Duct diameter:	20 cm	25 cm
REF. NO.:	MAX DUCT LENGTH	
WP 200 04	4,0 m	
WP 200 07	7,0 m	

TI 010 Labels on obligation to use full body harness

Ref. no.: TI 010



NEW

Information label available in 4 language versions: Polish, English, German and Russian.

PARAMETERS

Dimensions:	250 x 330 mm
Material:	foamed PVC 3mm
REF. NO.:	DIMENSIONS
TI 010	250 x 330 mm



PROTEKT[®]

USE IMAGINATION | PROTECT YOUR LIFE

WWW.PROTEKT.UK

OFFICE

Skromna 6
93-405 Lodz
Polska

Phone: +48 42 29 29 500
fax +48 42 680-20-93

CORRESPONDENCE ADDRESS:

Protekt
Skromna 6
93-405 Lodz
Poland

WAREHOUSE

Gombrowicza 6
93-405 Lodz
Poland

EXPORT SALES DEPARTMENT

export@protekt.com.pl
Phone: +48 42 29 29 500
fax +48 42 680-20-93

JOANNA KRASKA

asia@protekt.com.pl
Phone: +48 42 29 29 508

ANNA BRACICHOWICZ

anna@protekt.com.pl
Phone: +48 42 29 29 542

MONIKA TYCHACZKA

monikat@protekt.com.pl
Phone: +48 42 29 29 506

AGATA ŁUKASIEWICZ

agata@protekt.com.pl
Phone: +48 42 29 29 510