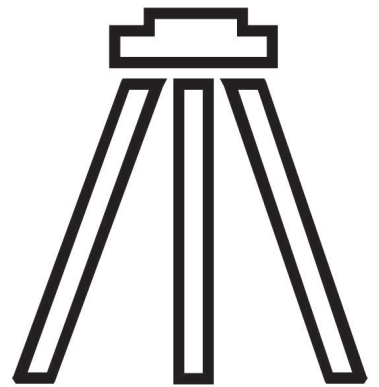


# PROTEKT®

MANUFACTURER OF FALL PROTECTION EQUIPMENT

# SAFETY TRIPODS AND WINCHES



Personal tripods  
Material tripods  
Personal and material combo tripods  
Rescue devices & lifting devices  
Tripod sets

**2023**

V.05 07.09.2023



## TABLE OF CONTENTS

- 4 UTB handle
- 5 Safety Cords
- 6 Summary of winches
- 10 Example uses of Tripod sets

- 12 TM 1
- 14 TM 6
- 16 TM 9-N
- 18 TM 14-ZSE
- 20 TM 14-SB
- 22 TM 12 SPIDER
- 24 TM 12-2 HEXAPOD
- 26 TM 15 / TM 15G / TM 15 MINI
- 28 TM 16

- 34 RUP 502-U
- 36 RUP 503-U
- 38 RUP 505-U
- 40 RUP 504
- 41 RUP 506
- 42 CRW 200
- 44 CRW 300
- 46 PULLEYS

Universal handle for all PROTEKT Tripods



Tripod leg mounting



Tripod  
TM 15 / TM 15G / TM 15 MINI

Tripods  
TM 1, TM 9-N

Tripods  
TM 6, TM 12,  
TM 12-2, TM-14-ZSE

**PARAMETERS:**

Mass: 2250 g  
Material: galvanised steel, rubber, plastic

**DEVICE DESCRIPTION:**

The universal holder (UTB) can be attached to all tripods offered. The following winches are compatible with the holder (UTB): RUP502 / RUP503 / RUP504 / RUP506.



TM 9-N, TM15 tripods can be equipped in tripod leg safety cords which prevent tripod legs from falling out during folding/unfolding.



Tripod leg cables improve the **convenience and safety** of tripod use.

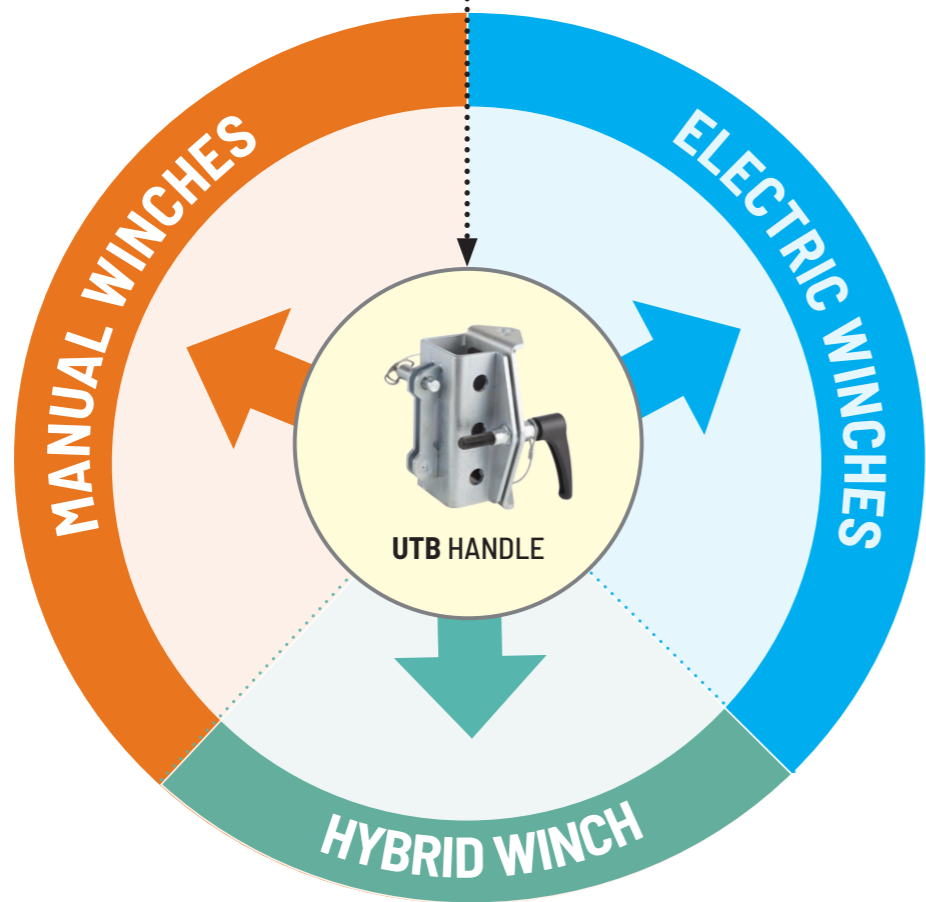


AT017-150 - for TM15 Tripod  
TM9N-101-000 - for TM9-N Tripod



# SUMMARY OF WINCHES

The universal holder is compatible with all types of tripods, regardless of the profile used



MANUAL WINCHES

RUP 502-U

RUP 503-U



ELECTRIC WINCHES

RUP 504

RUP 506



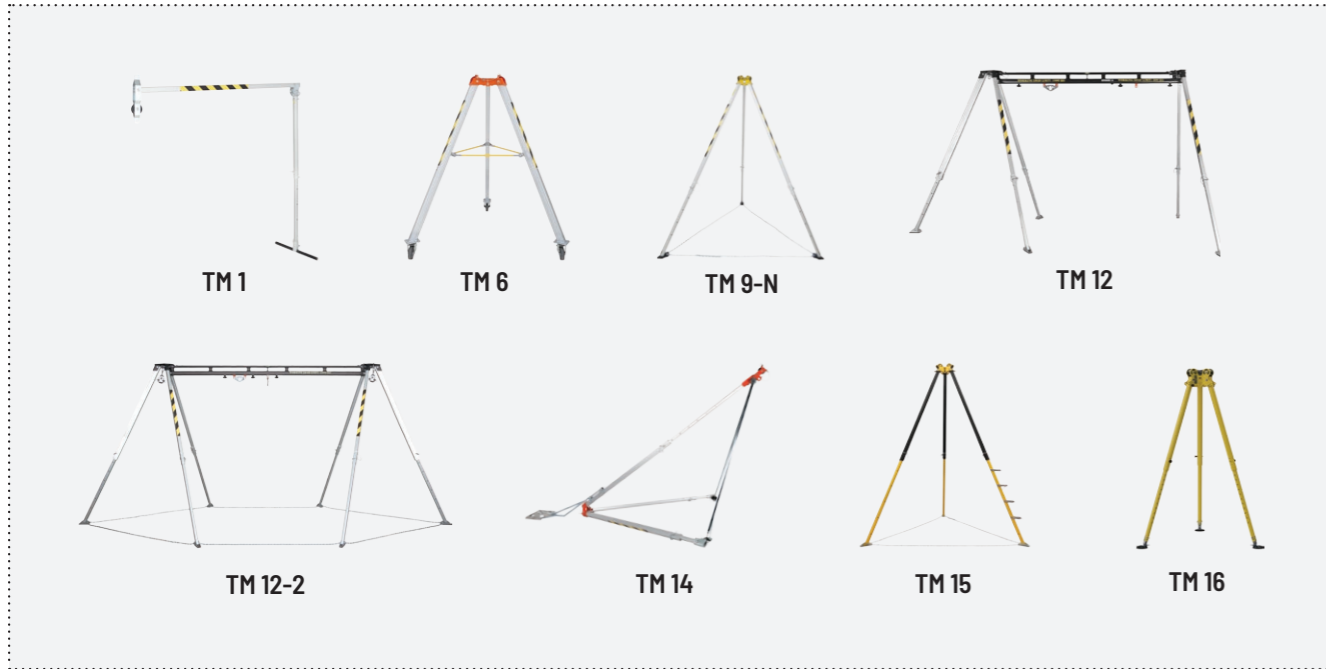
HYBRID WINCH

RUP 505-U

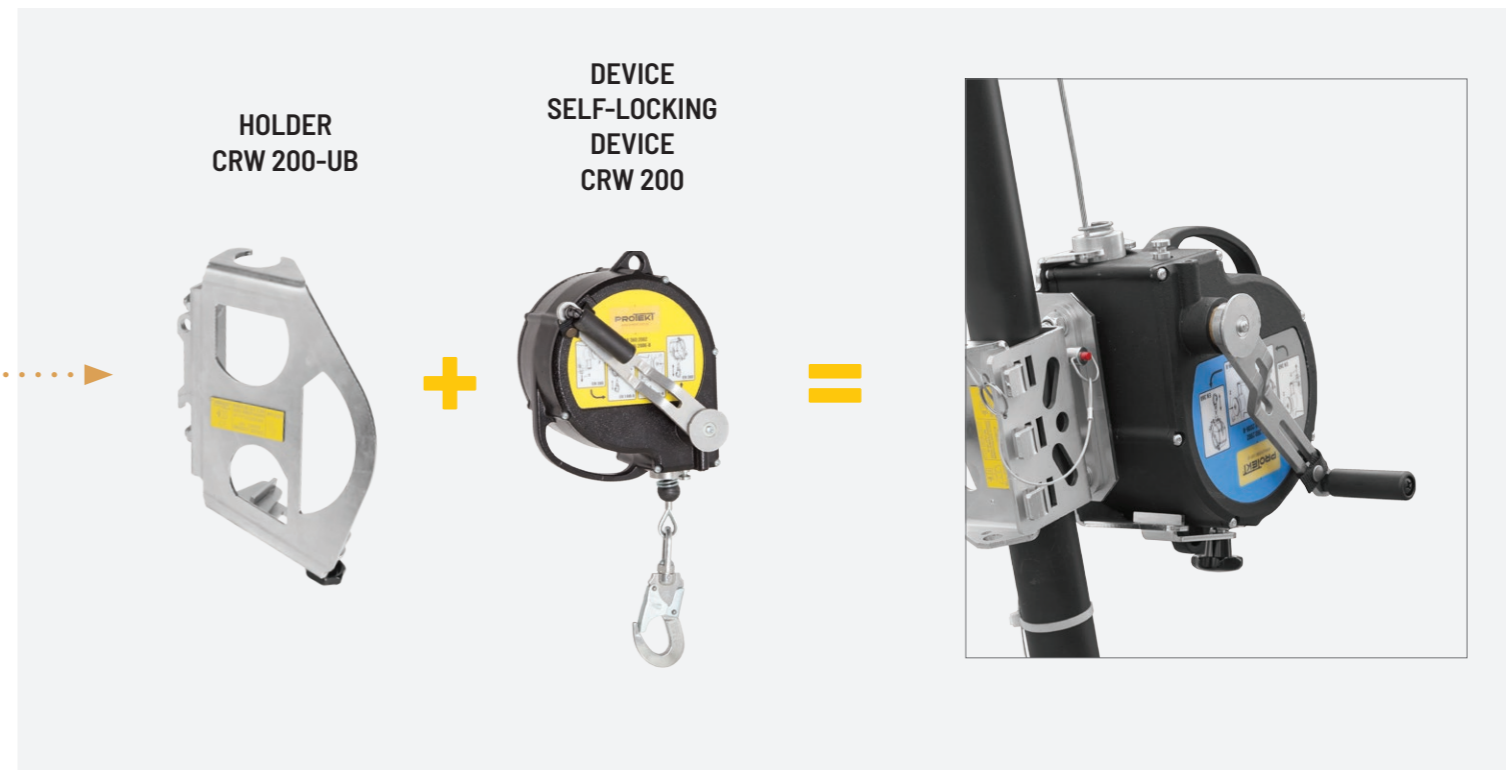


# SUMMARY OF WINCHES

The universal holder is compatible with all types of tripods, regardless of the profile used

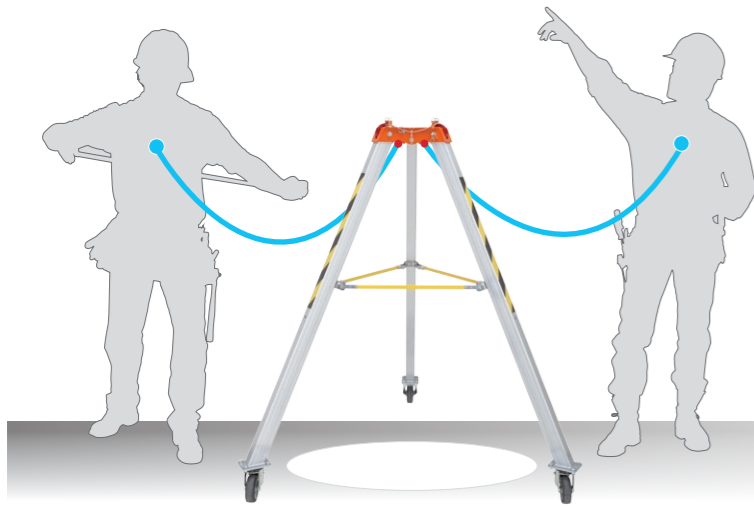


UTB HANDLE

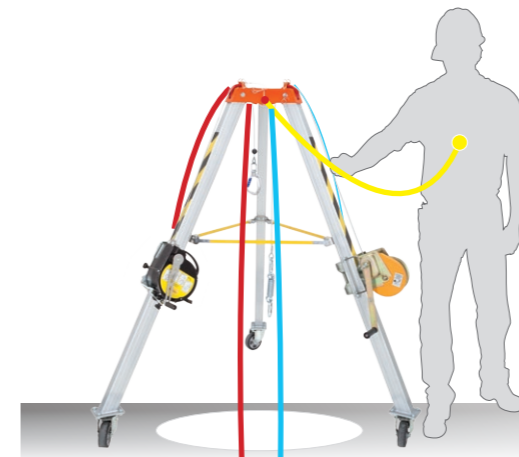




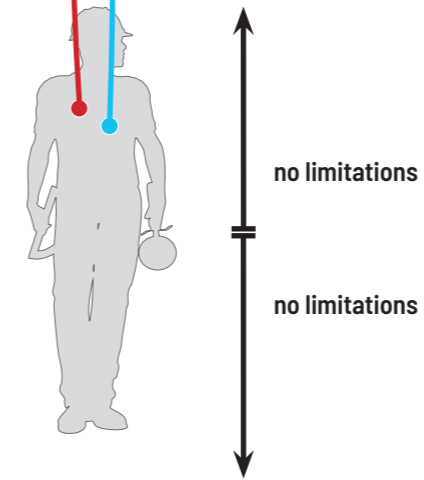
# EXAMPLE USES OF TRIPOD SETS



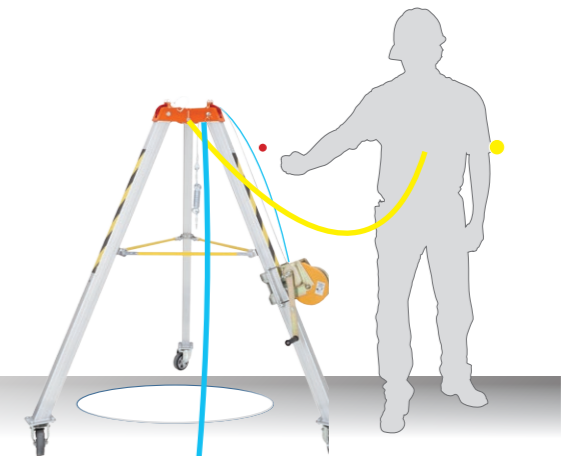
USE OF THE TRIPOD WITHOUT LIFTING DEVICES AS A MOBILE ANCHOR POINT.



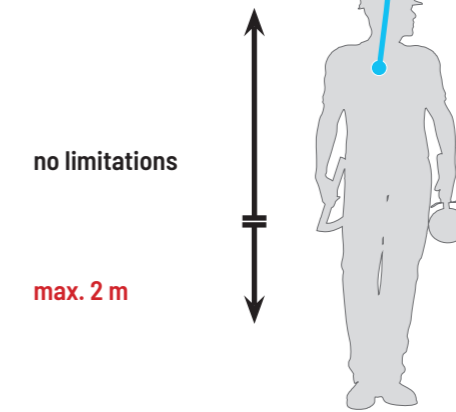
USE OF THE TRIPOD WITH LIFTING DEVICE AND RETRACTABLE TYPE FALL ARRESTER TO LIFT/LOWER A WORKER.



USE OF TRIPOD AND RETRACTABLE TYPE FALL ARRESTER WITH RESCUE LIFTING DEVICE FUNCTION TO SAFEGUARD A WORKER (WITH POSSIBILITY OF INSTANT EVACUATION).



USE OF TRIPOD WITH LIFTING DEVICE TO LIFT/LOWER A WORKER.





# TM1



Pulley has 2 anchor points. Upper anchor point on pulley is used for connecting crane TM 1 to a permanent structure. Lower anchor point on arm is used for installation of rescue lifting devices.



Leg is made of hot-dip galvanized steel, has 4-step adjustment, and is locked with a cotter.



Connector enables adjustment of the arm angle and locking in one of 5 positions (from 80° up to 130°) by means of a cotter.

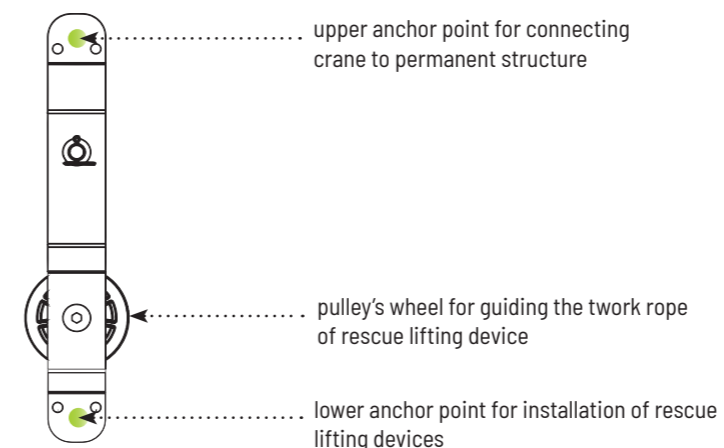


Lower end of leg has a removable foot with rubber pads providing anti-slip protection.

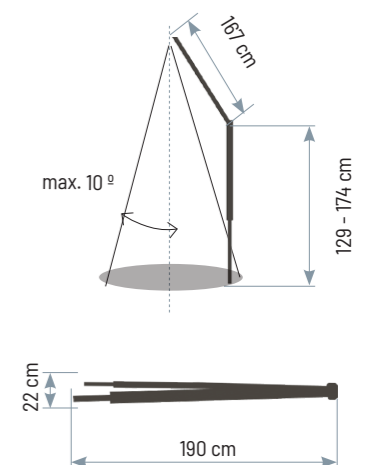


Height:	71 - 280 cm
Opening diameter under tripod:	-
Leg spacing:	-
Device weight:	8 kg
Anchor points on head:	2
Lifting and lowering:	1 person only
Transport dimensions:	190 x 22 x 22 cm

### HEAD - PLAN VIEW



### DIMENSIONS



### NORM:

EN 795/B:2012  
TS 16415/B:2013



### LIFTING AND LOWERING:



Max. 2 persons

### COMPATIBLE WITH:

RUP 502-U  
CRW 200  
CRW 300

### DESCRIPTION OF DEVICE:

Safety tripod TM 6 is a mobile anchoring device intended for protection of up to 2 persons at the same time. Guide wheels are integrated with the tripod head enabling operation with rescue lifting devices without the need to use any additional pulley.



# TM6



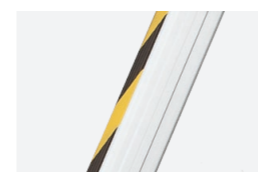
The head is made of powder coated galvanized steel. Equipped with 2 wheels for guiding the work rope on rescue lifting devices. Cotter pins above the wheels protect the rope against accidental slipping during work.



Automatic leg opening locks protect the tripod against accidental collapse during use.



Support bars are made of powder coated galvanized steel. They help stabilize the tripod during work. Each bar is secured with ratchets to prevent it from detaching during work.



The tripod legs are made of strengthened aluminium profiles. Two legs "A" are equipped with a wheel (for guiding the work rope) and anchor point (bore) for mounting winches; the third leg "B" has no wheel or anchor point.

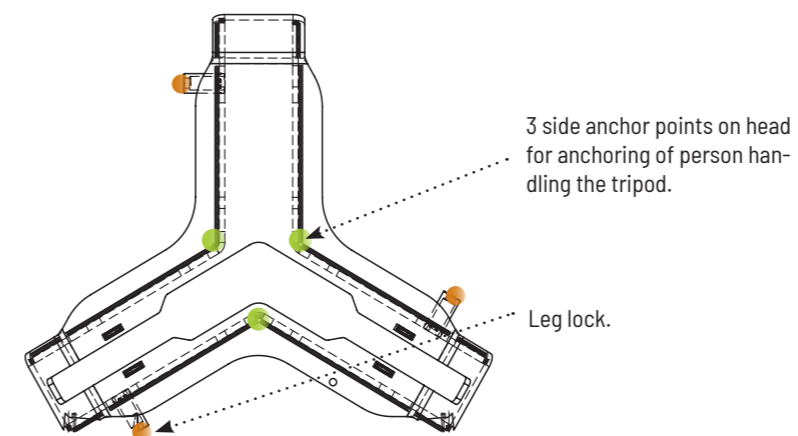


Two legs „A“ are equipped with swivel wheels with brake to provide easier tripod mobility. Wheels are made of aluminium alloy and rubber (wheel) and galvanized steel (housing).



Height:	160 cm
Opening diameter under tripod:	157 cm
Leg spacing:	116 cm
Device weight:	34 kg
Anchor points on head:	3
Lifting and lowering:	maximum 2 persons
Transport dimensions:	200 x 47 x 47 cm

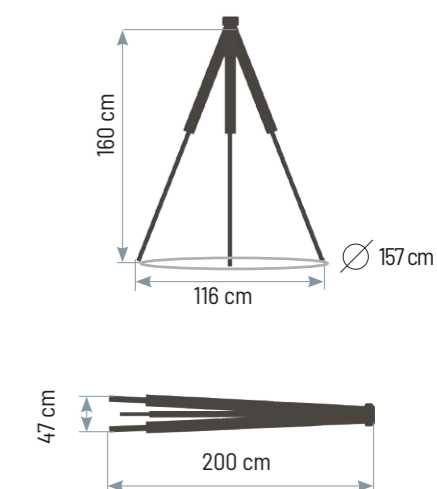
### HEAD - PLAN VIEW



3 side anchor points on head for anchoring of person handling the tripod.

Leg lock.

### DIMENSIONS



### NORM:

EN 795/B:2012  
TS 16415/B:2013



### LIFTING AND LOWERING:



Max.  
2 persons

### COMPATIBLE WITH:

RUP 502-U  
RUP 503-U  
RUP 504  
RUP 505-U  
RUP 506  
CRW 200  
CRW 300

### DESCRIPTION OF DEVICE:

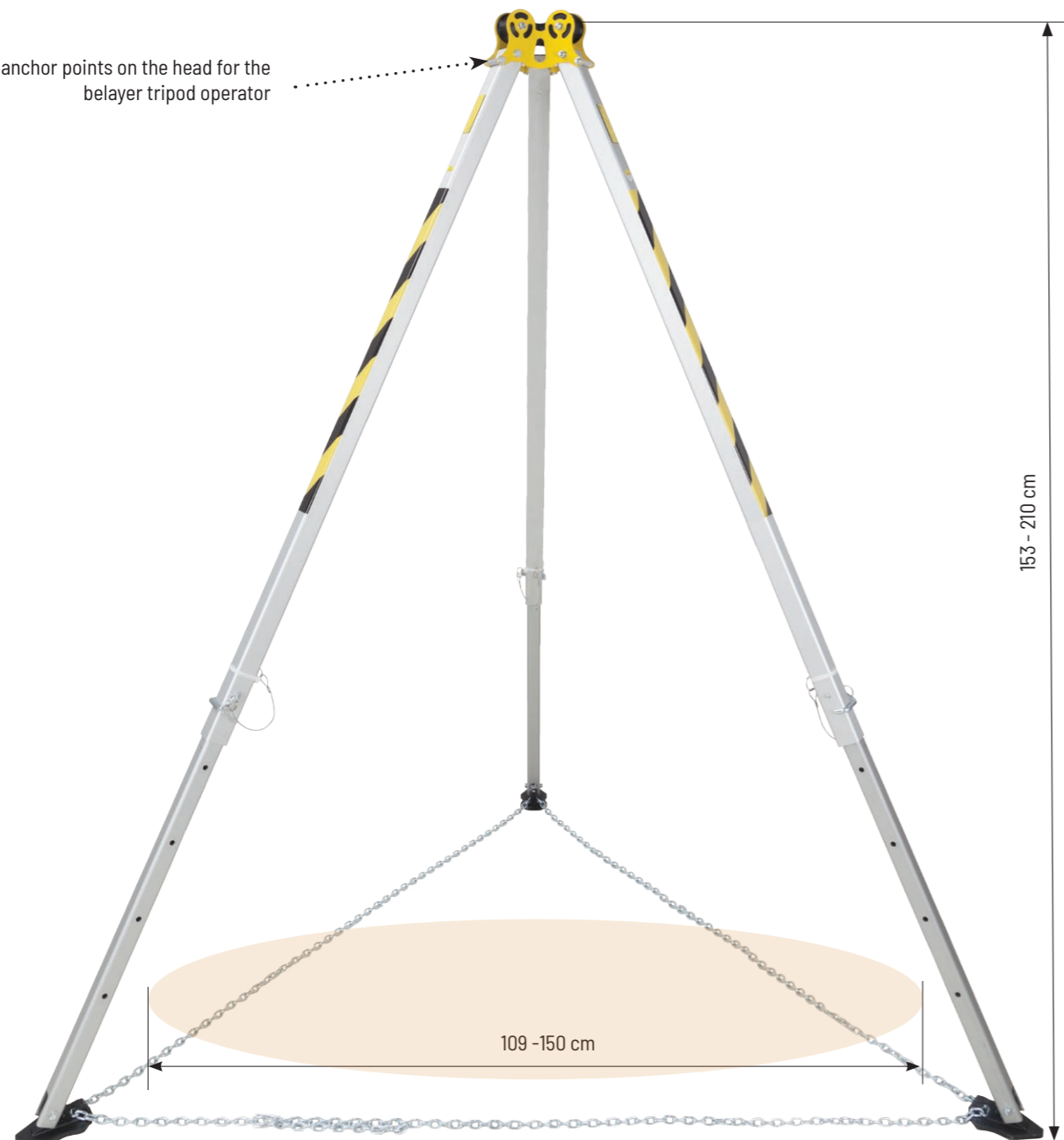
Safety tripod TM 6 is a mobile anchoring device intended for protection of up to 2 persons at the same time. Guide wheels are integrated with the tripod head enabling operation with rescue lifting devices without the need to use any additional pulley.





# TM 9-N

3 lateral anchor points on the head for the belayer tripod operator



The head is made of galvanised powder-coated steel. It has 3 bearing-mounted rollers to guide the working rope of rescue or hoisting devices



New composite feet

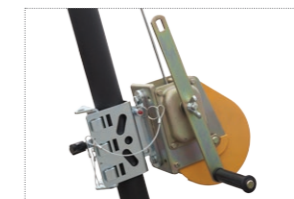
The following winches are compatible with the UTB carrier:



CRW 200-UB  
adapter for CRW 200



RUP 502-U



RUP 504



RUP 506



RUP 505-U



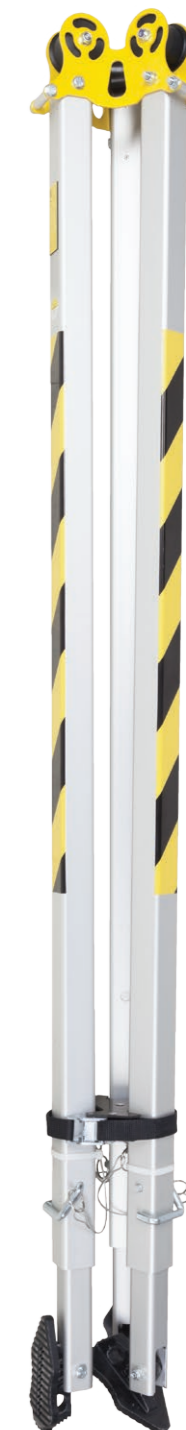
CRW 200



CRW 300-UB  
adapter for CRW 300



CRW 300



**NORM:**

EN 795/B:2012



**LIFTING AND LOWERING:**



Max. 3 persons

**COMPATIBLE WITH:**

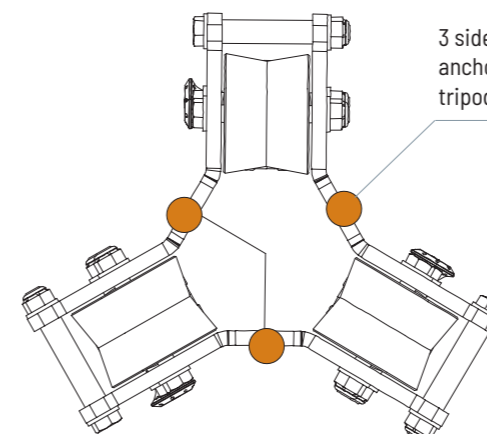
Compatible with the following devices using the new UTB support :

- RUP 502-U
- RUP 504
- RUP 505-U
- RUP 506
- CRW 200
- CRW 300

**DESCRIPTION OF DEVICE:**

Safety tripod TM 9-N is a portable anchoring device intended for up to 3 users.

**HEAD - PLAN VIEW**



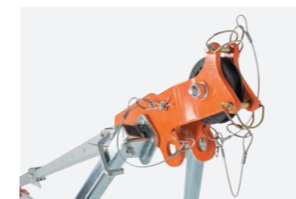
3 side anchor points on head for anchoring of person handling the tripod.



# TM 14-ZSE



The pulley with 2 anchor points



The pulley is made of powder coated galvanized steel and has a wheel for guiding the winch rope when used as rescue frame. The pulley has an additional anchor point which can be used for e.g. mounting a retractable type fall arrester.



Supports with feet provide stability for arm with pulley at its end. They are made of aluminium and galvanized steel.



In order to improve the strength of the structure, the tripod legs with supports at their ends are secured with a steel chain.

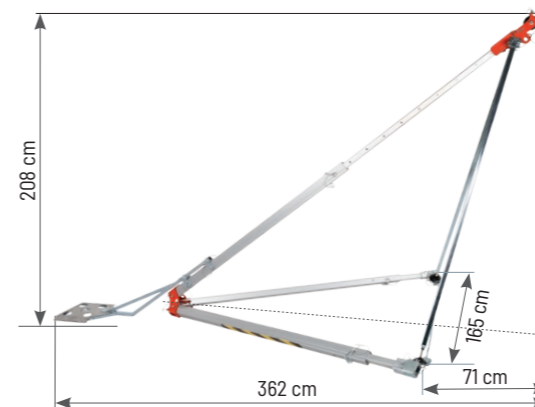


The drive-on plate is made of galvanized and stainless steel and is used for installation of counterweight. Counterweight can be a set of steel plates or a vehicle weighing 3.5 t. The plate can be fixed to the ground by means of mechanical or chemical anchors.

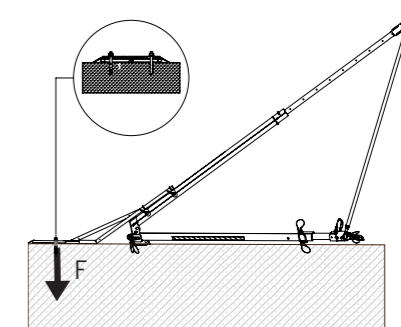


Set of steel plates can be used as counterweight if the tripod cannot be anchored by a vehicle or fixed to the ground. Comprises 19 special plates made of powder coated steel of 25 kg each.

Height:	208 cm
Extension:	71 cm
Overall length:	362 cm
Leg spacing:	165 cm
Weight:	65 kg
Lifting and lowering:	max 200 kg

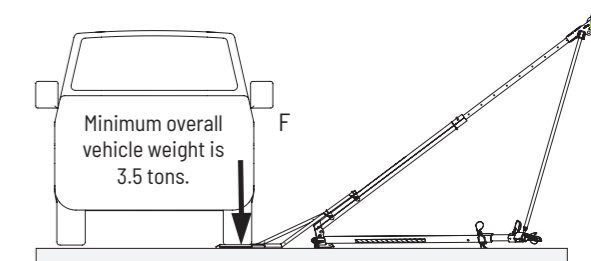


## ANCHORING TO THE GROUND



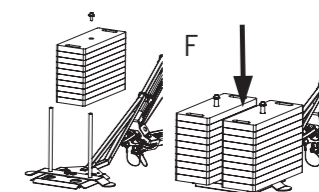
Drive-on plate can be fixed to a concrete or steel surface by means of at least 2 mechanical or chemical anchors with minimum tensile strength of 12 kN.

## VEHICLE AS A COUNTERWEIGHT



Drive-on plate can be loaded by placing a vehicle wheel on the axle at which the motor is installed. Minimum overall vehicle weight is 3.5 tons.

## SET OF STEEL PLATES AS A COUNTERWEIGHT



Drive-on plate can be additionally loaded with special steel counterweight plates of 25 kg each.

STEEL PLATES SET AT015-600.

- Counterweight plates - 16 pcs
- Set of mounting screws - 1 pc
- Counterweight bracket rods - 2 pcs
- Rods plate - 1 pc

### NORM:

EN 795/B:2012  
TS 16415/B:2013



### LIFTING AND LOWERING:



### COMPATIBLE WITH :

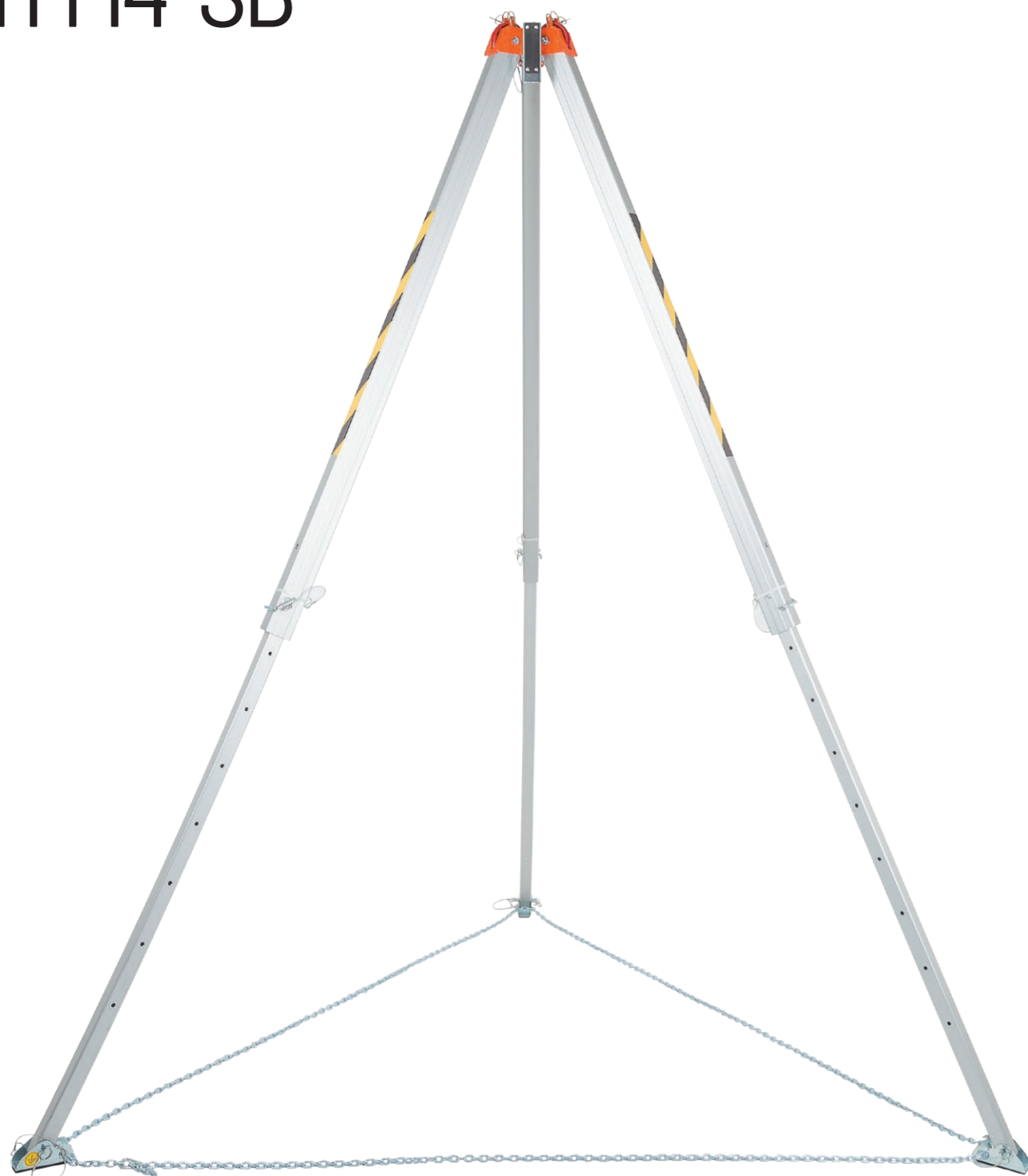
RUP 502-U  
RUP 503-U  
RUP 504  
RUP 505-U  
RUP 506  
CRW 200  
CRW 300

### DESCRIPTION OF DEVICE:

TM 14 is a dual-purpose system: standard safety tripod and rescue frame.



# TM 14-SB



The head is made of powder coated galvanized steel. Two wheels for guiding the work rope rescue devices. Cotter above the wheels prevent the rope from accidental slipping during work.



The tripod legs are made of strengthened aluminium profiles with 9-step adjustment, locked with cotters. Two legs "A" are equipped with a wheel (for guiding the work rope) and anchor point (bore) for mounting winches; the third leg "B" has no wheel or anchor point.



Aluminium steps are mounted with cotters and provide easier access to the tripod head when extending the legs to their maximum height.



Steel feet have rubber pads for flat surfaces and spiked edges for slippery surfaces.



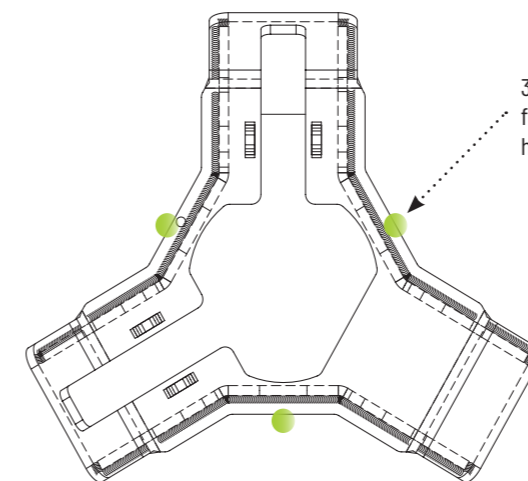
Tripod legs can be secured with textile webbing or steel chain.

Height:	179 - 289 cm
Opening diameter under tripod:	158 - 256 cm
Leg spacing:	147 - 232 cm
Device weight:	38 kg
Anchor points on head:	3
Lifting and lowering:	max. 2 persons
Transport dimensions:	228 x 32 x 30 cm

## EXTENSION KIT FOR TM 14-ZSE



## HEAD - PLAN VIEW



3 side anchor points on head for anchoring of person handling the tripod.

## Additional option - kit AT015-150

The kit upgrades tripod TM 14-SB to version TM 14-ZSE

The kit comprises:

- Pulley - 1 pc
- Bracket - 2 pcs
- Head support - 1 pc
- Drive-on plate - 1 pc
- Left bracket base - 1 pc
- Right bracket base - 1 pc
- Chain - 1 pc

## DIMENSIONS

Dimensions are the same as TM 13 tripod (previous page).

### NORM:

EN 795/B:2012  
TS 16415/B:2013



### LIFTING AND LOWERING:



Max. 2 persons

### COMPATIBLE WITH :

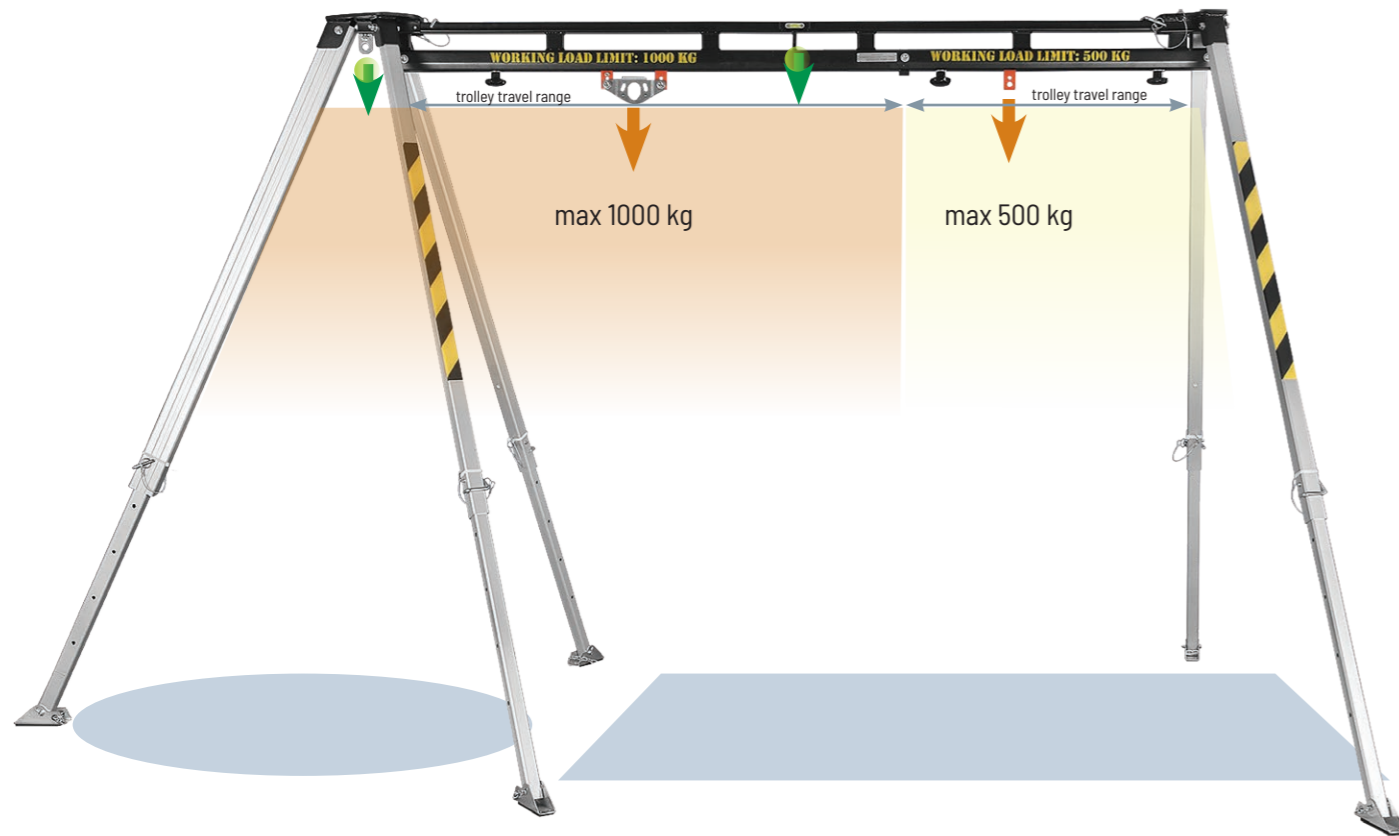
RUP 502-U  
RUP 503-U  
RUP 504  
RUP 505-U  
RUP 506  
CRW 200  
CRW 300

### DESCRIPTION OF DEVICE:

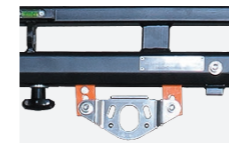
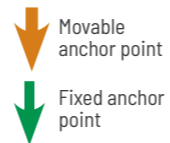
TM 14 is a dual-purpose system: standard safety tripod and rescue frame.



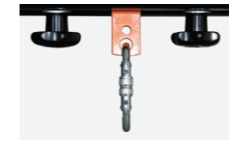
# TM 12-SPIDER



Height:	139 - 221 cm
Opening diameter under tripod:	150 - 223 cm
Tripod spacing:	139 - 191 cm
Spacing of the complete device:	325 - 368 cm
Beam weight:	30 kg
Beam length:	230 cm
Device weight:	76 kg
Maximum permissible load:	1000 kg
Lift / Lowering for:	max. 2 persons
Fixed anchor points:	4
Movable anchor points:	2
Transport dimensions:	254 x 33 x 33 cm



Steel trolley travelling along the beam is a movable anchor point which can be locked in a fixed position. The point withstands loads of up to 1000 kg or enables lifting/lowering of 1 person.



Steel trolley travelling along the beam is a movable anchor point which can be locked in a fixed position. The point withstands loads of up to 500 kg.



The tripod's beam is made of powder coated galvanized steel, and has 2 permanent anchor points for person handling the tripod. The beam is equipped with a level indicating whether the device is set properly.



The tripod's head is made of powder coated galvanized steel. It is equipped with an attachment point for a pulley and an additional anchor point for attaching of person handling the tripod.



The tripod's legs are made entirely of aluminium, and feature 7-step adjustment for flexible adaptation of the device's height to desired conditions.

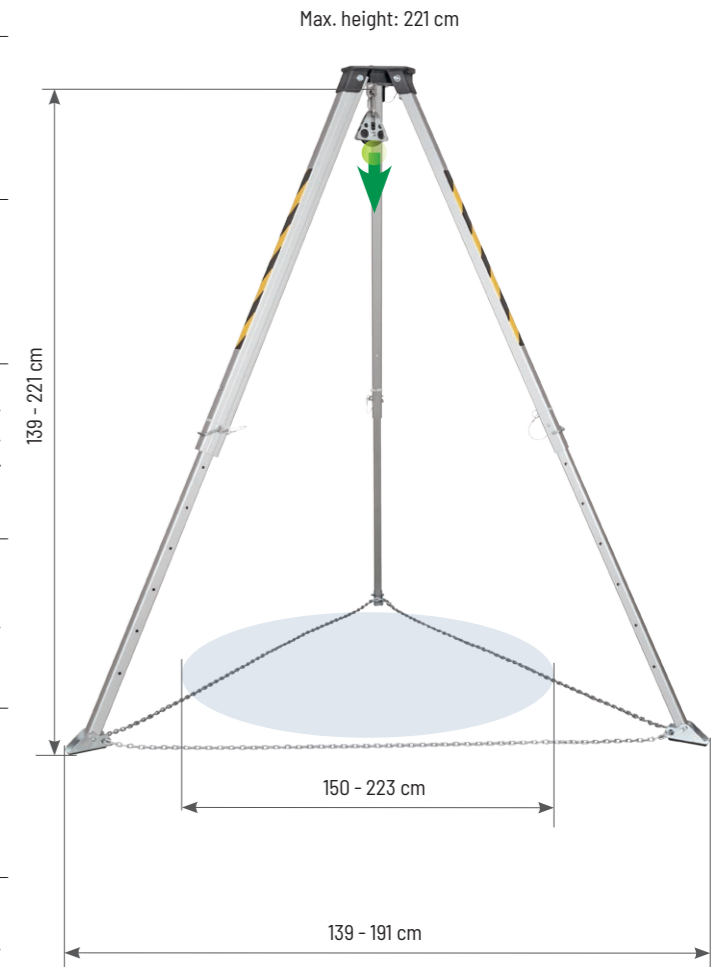


Anti-slip tripod's foot can be adjusted to slippery surfaces.



The tripod's legs can be secured with a light textile webbing or a heavier steel chain.

## PERSONNEL AND MATERIAL COMBO TRIPODS

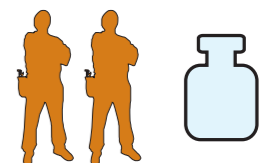


### EXTENDED VARIANT - WORK COMBO TRIPOD

Height:	139 - 221 cm
Opening diameter under tripod:	150 - 223 cm
Tripod spacing:	139 - 191 cm
Device weight:	72 kg
Lift / Descent for:	max. 1 person
Fixed anchor points:	2
Maximum permissible load:	1000 kg



EN 795/B:2012  
TS 16415/B:2013



Max. 2 persons or capacity of up to 1000 kg

### NORM:

EN 795/B:2012  
TS 16415/B:2013



### LIFTING AND LOWERING:

Max. 2 persons or capacity of up to 1000 kg



### COMPATIBLE WITH :

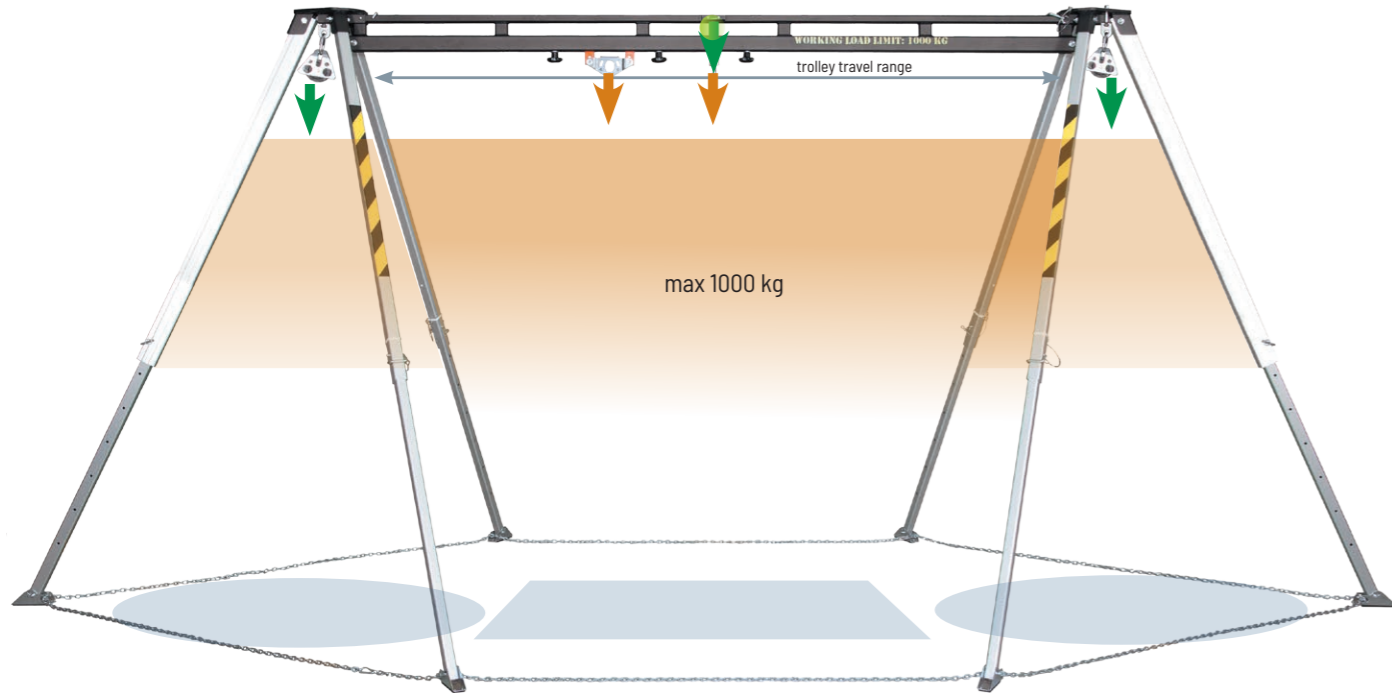
RUP 502-U  
RUP 503-U  
RUP 504  
RUP 505-U  
RUP 506  
CRW 200  
CRW 300

### DESCRIPTION OF DEVICE:

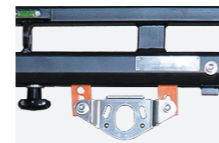
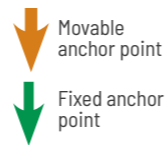
TM 12 SPIDER is a personnel and material device equipped with 2 movable and 4 fixed anchor points. With the system TM 12 Spider it is possible to use the left tripod as an independent work tripod for handling materials or lifting and lowering personnel.



# TM 12-2 HEXAPOD



Height:	139 - 221 cm
Opening diameter under tripods:	150 - 223 cm
Tripod spacing:	139 - 191 cm
Spacing of complete device:	464 - 537 cm
Beam weight:	34 kg
Beam length:	280 cm
Device weight:	90 kg
Fixed anchor points:	6
Maximum permissible load:	1000 kg
Lift / Descent for:	max. 2 persons
Movable anchor points:	2
Transport dimensions:	254 x 33 x 33 cm



Steel trolley travelling along the beam is a movable anchor point which can be locked in a fixed position. The point withstands loads of up to 1000 kg or enables lifting/lowering of 1 person.



Steel trolley travelling along the beam is a movable anchor point which can be locked in a fixed position. The point withstands loads of up to 500 kg.



The tripod's beam is made of powder coated galvanized steel, and has 2 permanent anchor points for a person handling the tripod. The beam is equipped with a level indicating whether the device is set properly.



The tripod's head is made of powder coated galvanized steel. It is equipped with an attachment point for a pulley and an additional anchor point for attaching of person handling the tripod.



The tripod's legs are made entirely of aluminium, and feature 7-step adjustment for flexible adaptation of the device's height to desired conditions.

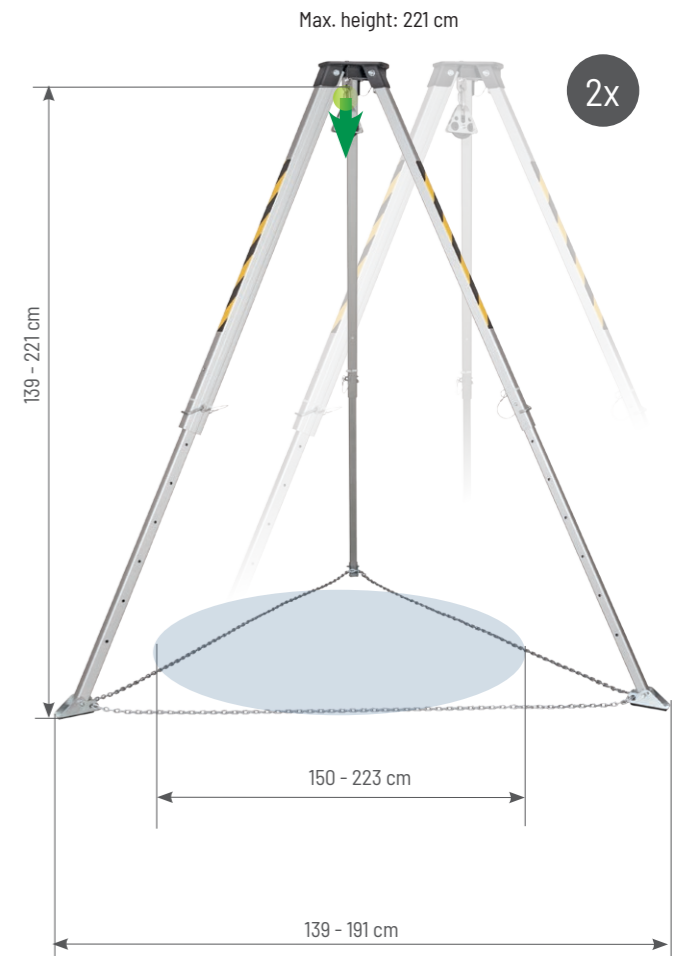


Anti-slip tripod's foot can be adjusted to slippery surfaces.



The tripod's legs can be secured with a light textile webbing or a heavier steel chain.

## PERSONNEL AND MATERIAL COMBO TRIPODS



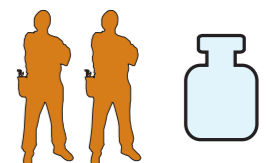
With the system TM 12-2 Hexapod it is possible to use side tripods as independent work tripods for handling materials or lifting and lowering personnel

### EXTENDED VARIANT - WORK COMBO TRIPOD

Height:	139 - 221 cm
Opening diameter under tripod:	150 - 223 cm
Tripod spacing:	139 - 191 cm
Device weight:	86 kg
Lift / Descent for:	max. 1 person
Fixed anchor points:	2
Maximum permissible load:	1000 kg



EN 795/B:2012  
TS 16415/B:2013



Max. 2 persons or capacity of up to 1000 kg

### NORM:

EN 795/B:2012  
TS 16415/B:2013



### LIFTING AND LOWERING:

Max. 2 persons or capacity of up to 1000 kg



### COMPATIBLE WITH :

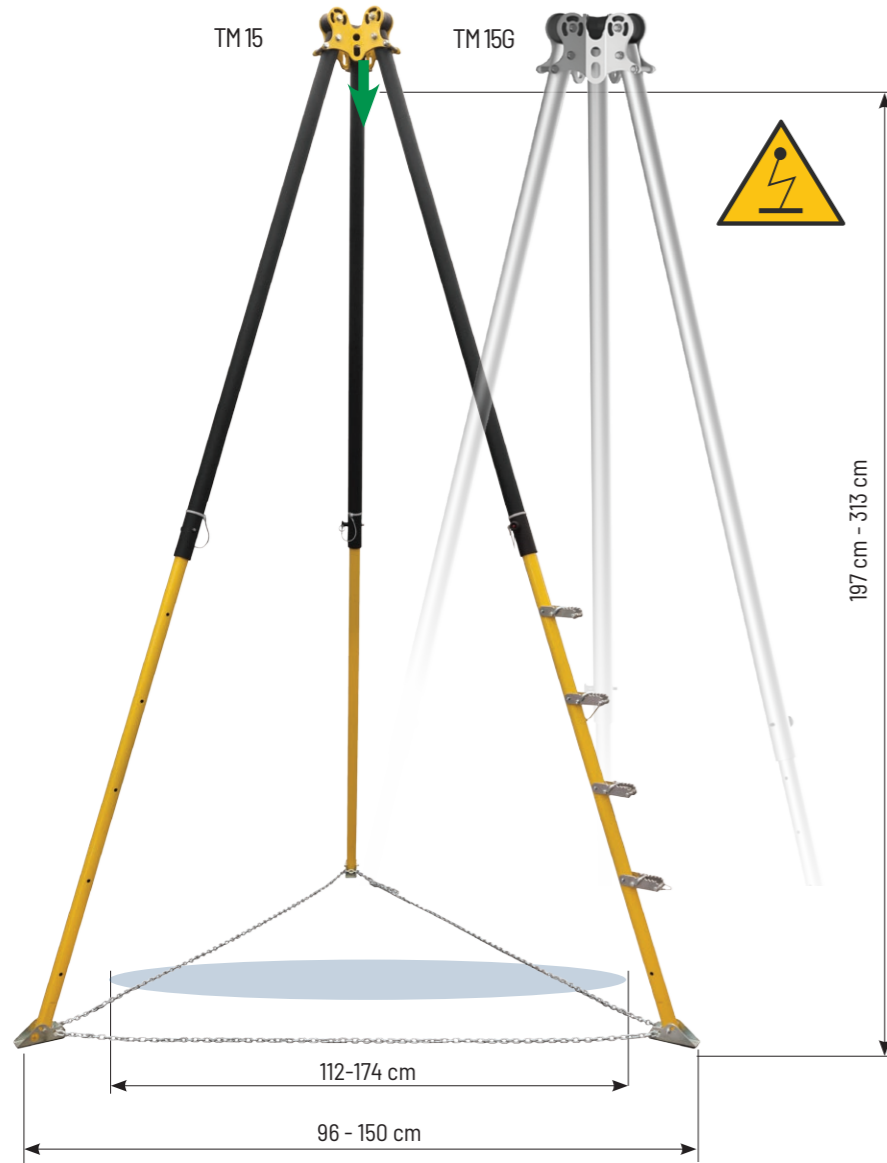
RUP 502-U  
RUP 503-U  
RUP 504  
RUP 505-U  
RUP 506  
CRW 200  
CRW 300

### DESCRIPTION OF DEVICE:

TM 12-2 HEXAPOD is a personnel and material device equipped with 2 movable and 6 fixed anchor points.



# TM 15 / TM 15G / TM 15 MINI



The TM 15G tripod variant performs all the functions of the TM 15 tripod, however, it can be used in explosive areas.



The head is made of powder coated aluminum and has three ball-bearing wheels for guiding the work rope on rescue or lifting devices.



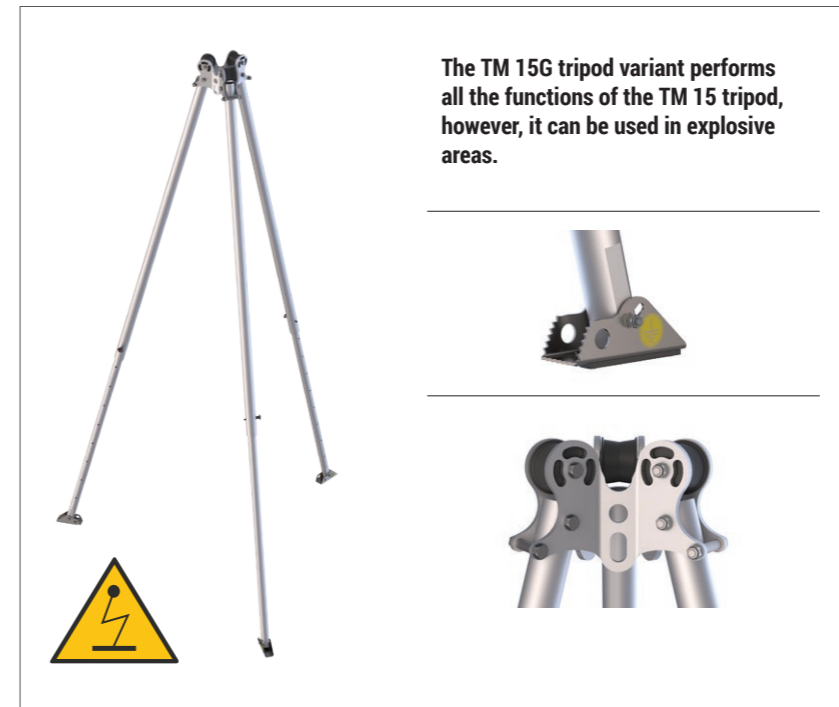
Aluminium steps are mounted with cotters and provide easier access to the tripod head when extending the legs to their maximum height.



Steel feet have rubber pads for flat surfaces and spiked edges for slippery surfaces.



The tripod legs are made of strengthened aluminium profiles with 9-step adjustment, locked with cotters. Legs are equipped with a wheels (for guiding the work rope) and anchor point (bore) for mounting winches.



The TM 15G tripod variant performs all the functions of the TM 15 tripod, however, it can be used in explosive areas.



HEAD - PLAN VIEW

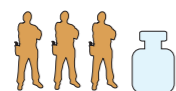
DIMENSIONS

**NORM:**

EN 795/B:2012  
TS 16415/B:2013



**LIFTING AND LOWERING:**



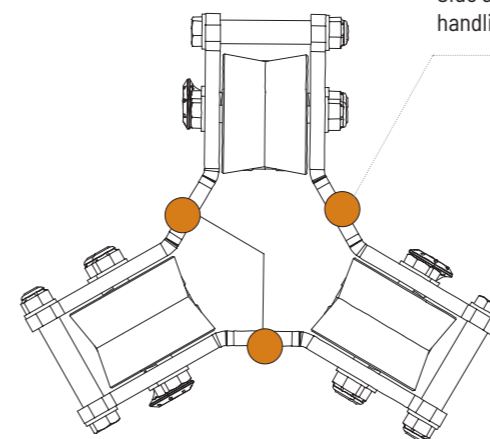
Max. 3 persons  
or 1000 kg

**COMPATIBLE WITH BELOW DEVICES USING NEW UTB BRACKET :**

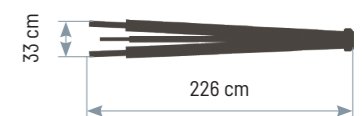
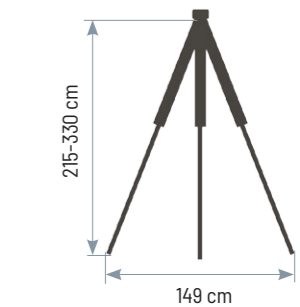
- RUP 502-U
- RUP 503-U
- RUP 504
- RUP 505-U
- RUP 506
- CRW 200
- CRW 300

**DESCRIPTION OF DEVICE:**

The lightweight TM15 / TM15G / TM 15 MINI aluminium safety tripod is an anchor point according to EN795/B and TS16415/B and can be used as a fall protection equipment. The TM15 tripod provides protection for up to 3 people at a time. The TM15 tripod consists of a powder-coated aluminium head with 3 ball-bearing polyamide rollers. The tripod is also equipped with 3 anchorage points on the side walls of the tripod head. Each of these points can be used as an anchor point for equipment to protect against falls from height. One point is designed for a maximum of one user at a time.



Side anchor points for anchoring of person handling the tripod.





Head made of powder painted aluminum. It has 3 bearing rollers for guiding the working rope of rescue or hoisting devices. Locks leg opening in 3 different positions.



The tripod legs are made of strengthened aluminium profiles with 9-step adjustment, locked with cotters. Legs are equipped with a wheels (for guiding the work rope) and anchor point (bore) for mounting winches.



New swivel foot with suction cup with a diameter of 120mm.



New swivel foot with rubber base with a diameter of 120mm.



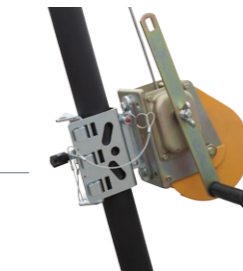
**UTB holder described on page 4.**

The universal holder (UTB) can be attached to all tripods offered. The following winches are compatible with the UTB carrier:

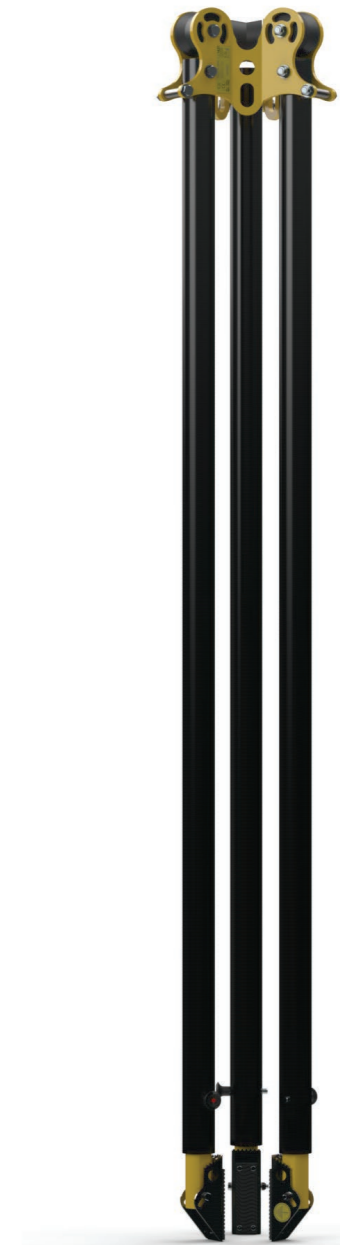
RUP502/RUP 502-T  
RUP503/RUP503 - T



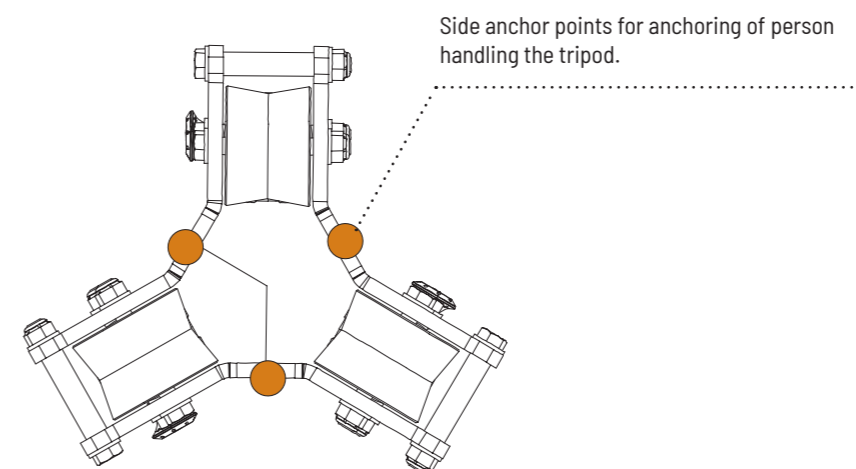
**RUP 503 WITH UTB**



**RUP 502 WITH UTB**

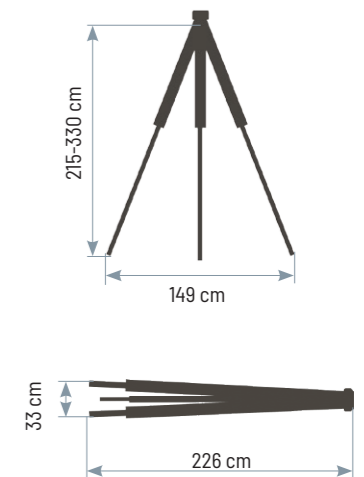


### HEAD - PLAN VIEW



Side anchor points for anchoring of person handling the tripod.

### DIMENSIONS



### NORM:

EN 795/B:2012  
TS 16415/B:2013



### LIFTING AND LOWERING:



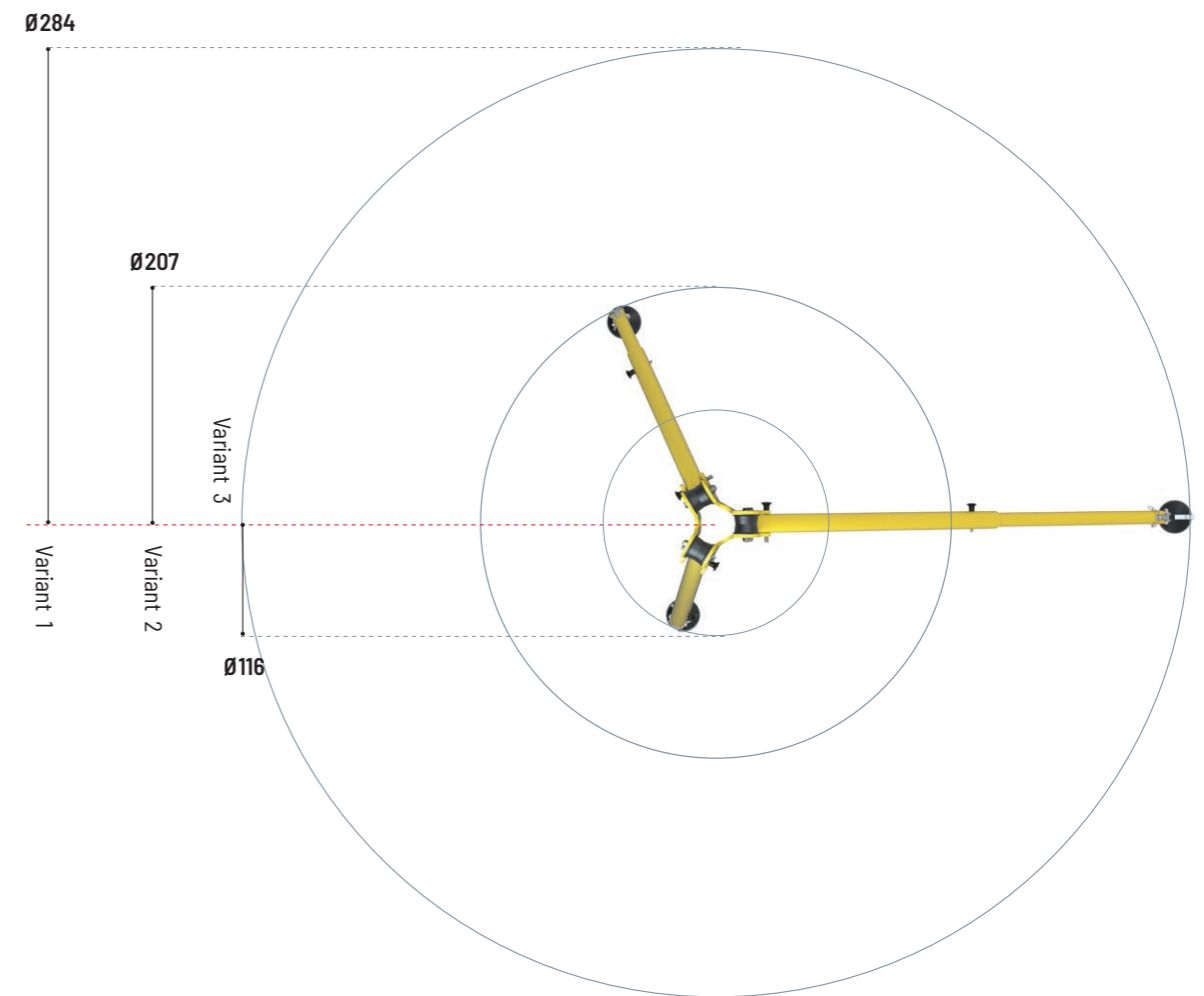
Max. 3 persons  
or 1000 kg

### COMPATIBLE WITH BELOW DEVICES USING NEW UTB BRACKET :

RUP 502-U  
RUP 503-U  
RUP 504  
RUP 505-U  
RUP 506  
CRW 200  
CRW 300

### DESCRIPTION OF DEVICE:

The lightweight TM16 aluminium safety tripod is an anchor point according to EN795/B and TS16415/B and can be used as a fall protection equipment. The TM15 tripod provides protection for up to 3 people at a time. The TM15 tripod consists of a powder-coated aluminium head with 3 ball-bearing polyamide rollers. The tripod is also equipped with 3 anchorage points on the side walls of the tripod head. Each of these points can be used as an anchor point for equipment to protect against falls from height. One point is designed for a maximum of one user at a time.



When installing the device on irregularly shaped surfaces the use of chain or tape to connect the legs may be problematic. It is permissible to use bracing in the form of additional pipes with diameters from 48.3mm to 60mm connecting individual legs by means of rotating **SPC pipe connectors**.



SPC pipe connector



Tm 16 tripod set up on a stainless steel tank. The tripod is fixed to the ground by means of swinging feet with suction cups, enabling precise adjustment of the workstation to environmental conditions.

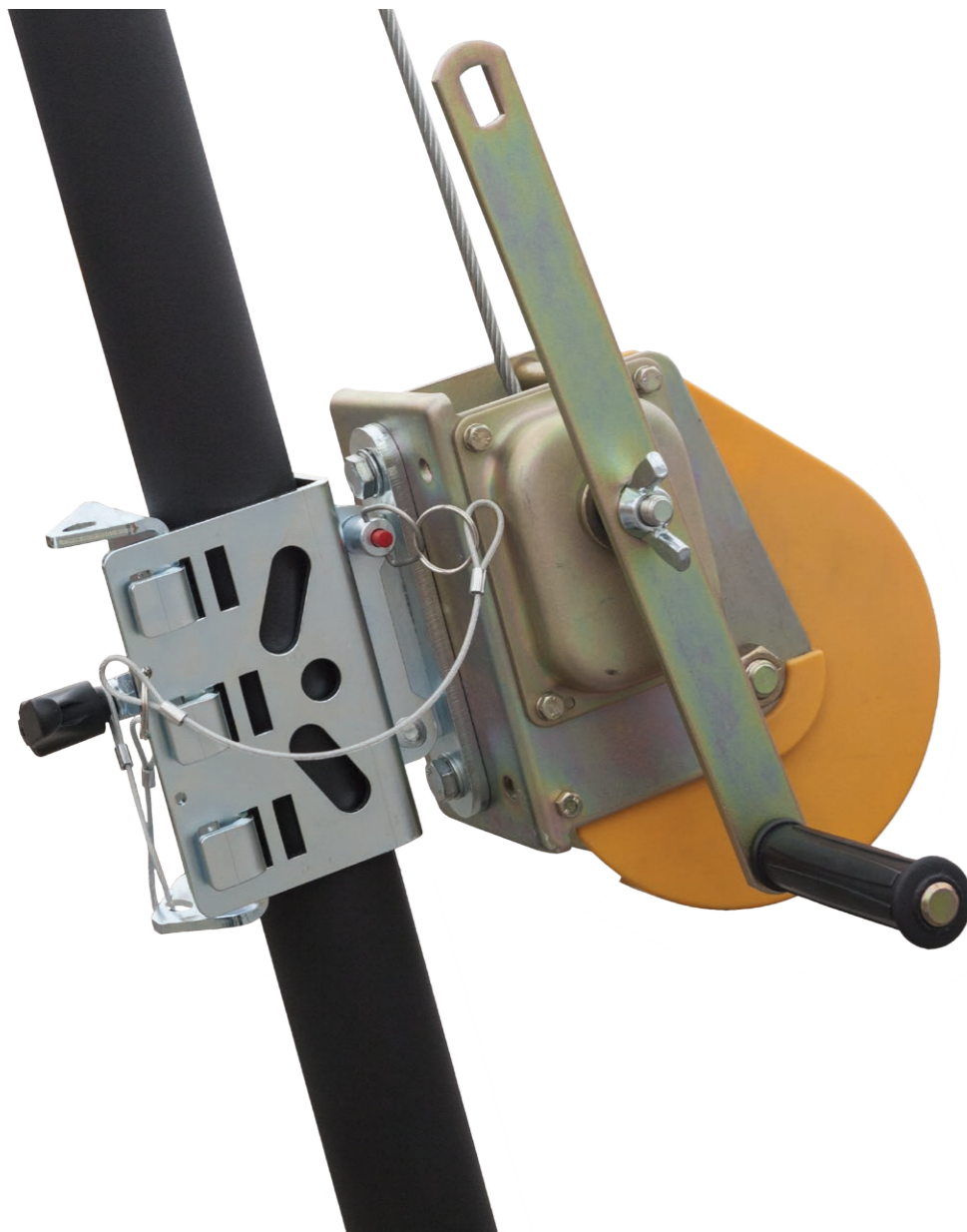




# RESCUE & LIFTING DEVICES

34	RUP 502-U
36	RUP 503-U
38	RUP 505-U
40	RUP 504
41	RUP 506
42	CRW 200
44	CRW 300
46	PULLEYS PL 101, TU 415, TU 416

# RUP 502-U



RUP 502-U is a winch equipped with a clamp for mounting on tripod leg. The winch is equipped with six-strand steel cable with natural fibre kern of 20 and 25 m in length and 6.3 mm in diameter;

RUP 502 is a component of rescue equipment. The device, can be lifted from a lower level onto a higher level or vice-versa. The descent distance cannot be more than 2 m.

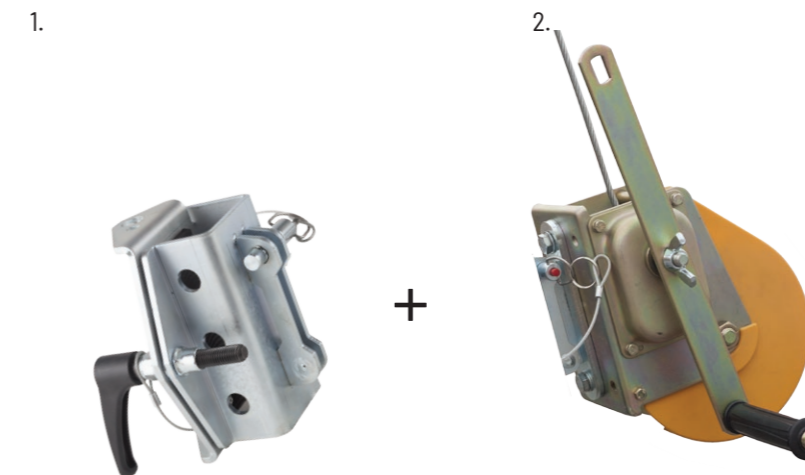
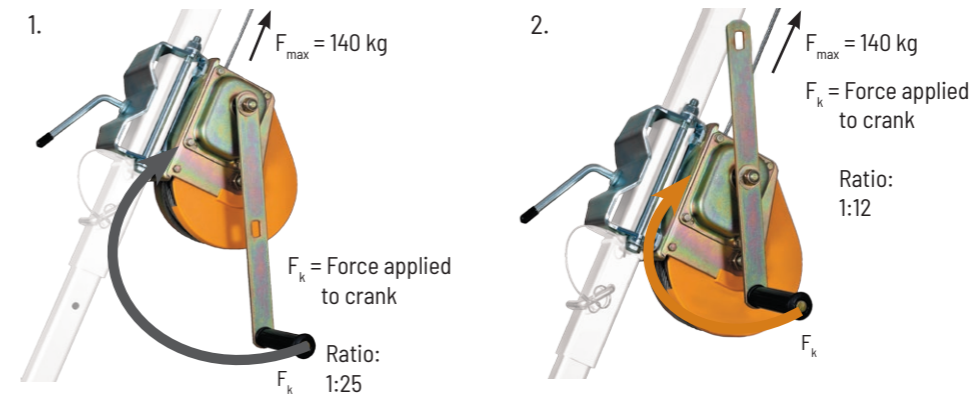
With the ratio used in the mechanism it is possible to make one turn of the drum per 5 turns of the winch's crank.

The crank arm is available in 2 lengths which, depending of the variant chosen, enable torque adjustment.

The RUP 502 rescue device complies with EN 1496/B.

**Accessories:**

Spring-type energy absorber SDW



**LOADS:**

Variant 1:

At load weight (Fmax) of 140 kg force applied to the crank (Fk) shall be 5.6 kG.

Variant 2:

At load weight (Fmax) of 140 kg force applied to the crank (Fk) shall be 11.6 kG.

**ASSEMBLY:**

Simple mounting of the winch on the tripod leg by means of a clamp:

- 1. Rup 502
- 2. UTB Clamp

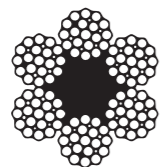
**KIT:**

Rescue winch RUP 502 is offered with spring-type energy absorber SDW.

**CABLE LENGTH VARIANTS:**

- 20 m
- 25 m

**CABLE PARAMETERS:**

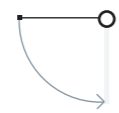


6x19+NFC

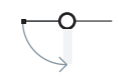


∅ 6,3 mm

**OVERALL MECHANISM RATIO:**



Variant 1  
1: 25



Variant 2  
1: 12

**SPUR GEARING:**



1: 5

**COMPATIBLE WITH :**

Compatible with ALL personal tripod types

**MAIN FEATURES:**

Winch weight:	13 kg, 14 kg
Available cable variants:	20 m, 25 m
Cable diameter:	6,3 mm
Cable type:	6x19 + NFC
Mechanism ratio:	1: 5
Force applied to lift 140 kg for variant 1:	5,6 kG
Force applied to lift 140 kg for variant 2:	11,6 kG
Permissible work load:	140 kg
Standard:	EN 1496/B
Compatible with ALL tripod types	



EN 1496/B



1 person  
at max. 140 kg

# RUP 503-U



RUP 503-U is a winch equipped with clamp for mounting on tripod leg. The winch is equipped with six-strand steel cable with natural fibre kern, available in options of 25 m, 35 m, 45 m, 50 m in length and 6.3 mm in diameter;

RUP 503-U is a component of rescue equipment. Using the device, a casualty can be lifted from a lower level onto a higher level or vice-versa. The descent distance cannot be more than 2 m;

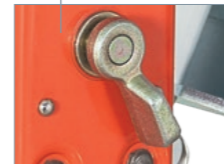
With the ratio used in the mechanism it is possible to make one turn of the drum per 7.2 turns of the winch's crank;

Crank arm can be disassembled for easier transport;

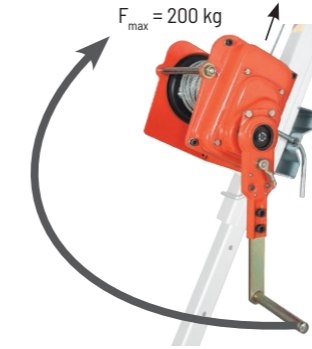
The RUP 503 rescue device complies with EN 1496/B.

**Accessories:**

Spring-type energy absorber SDW



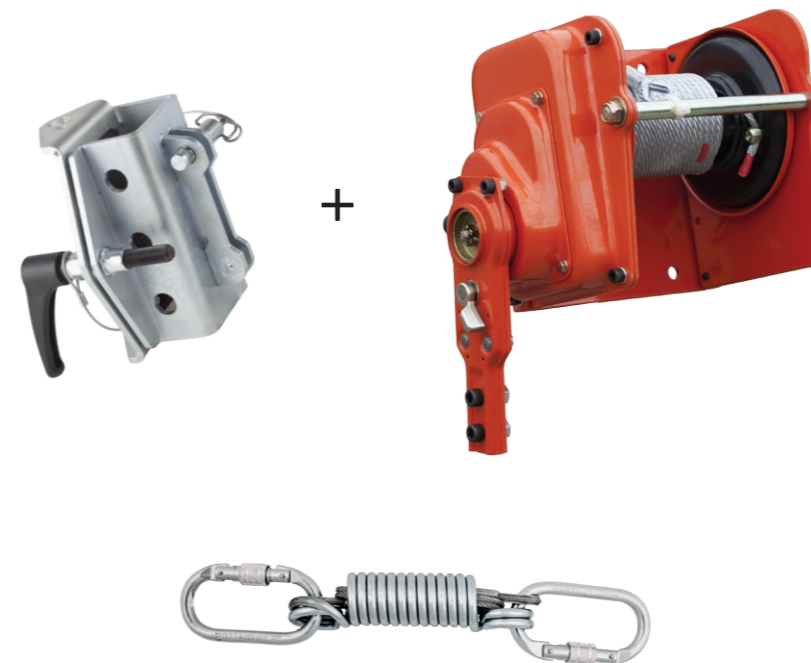
Switch for winch mechanism clutch disengagement and switching of descent/lift modes.



$F_k$  = Force applied to crank  
Ratio: 1:27

1.

2.



**LOADS:**

At load weight ( $F_{max}$ ) of 200 kg force applied to the crank ( $F_k$ ) shall be 7.41 kG.

**ASSEMBLY:**

Simple mounting of the winch on the tripod leg by means of a clamp:

1. Rup 502
2. UTB Clamp

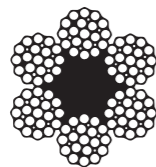
**KIT:**

Rescue winch RUP 502 is offered with spring-type energy absorber SDW.

**CABLE LENGTH VARIANTS:**

- 25 m
- 35 m
- 45 m
- 50 m

**CABLE PARAMETERS:**

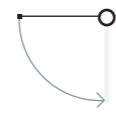


6x19+NFC



∅ 6,3 mm

**OVERALL MECHANISM RATIO:**



Variant 1  
1: 27

**SPUR GEARING:**



1: 7,2

**COMPATIBLE WITH :**

TM 6  
TM 12  
TM 12-2  
TM 15

**MAIN FEATURES:**

Winch weight depending on cable length:	22,5 kg to 26,2 kg
Cable length:	25 m, 35 m, 45 m or 50 m
Cable diameter:	6,3 mm
Cable type:	6x19 + NFC
Mechanism ratio:	1: 7,2
Force required for pulling load with weight of 200 kg:	7,41 kG
Permissible work load:	200 kg
Compatible with tripod types:	TM6, TM12, TM12-2, TM15
Standard:	EN 1496/B



EN 1496/B



2 persons  
at max. 200 kg

# RUP 505-U



RUP 505-U is a rescue lifting device equipped with clamp for mounting of the device on a tripod leg. The lifting device operates with static textile ropes of length as required by the customer. The rope should be ordered separately.

RUP 505-U is a component of rescue equipment. Using the device, a casualty can be lifted from a lower level onto a higher level or vice-versa. The descent distance cannot be more than 2 m;

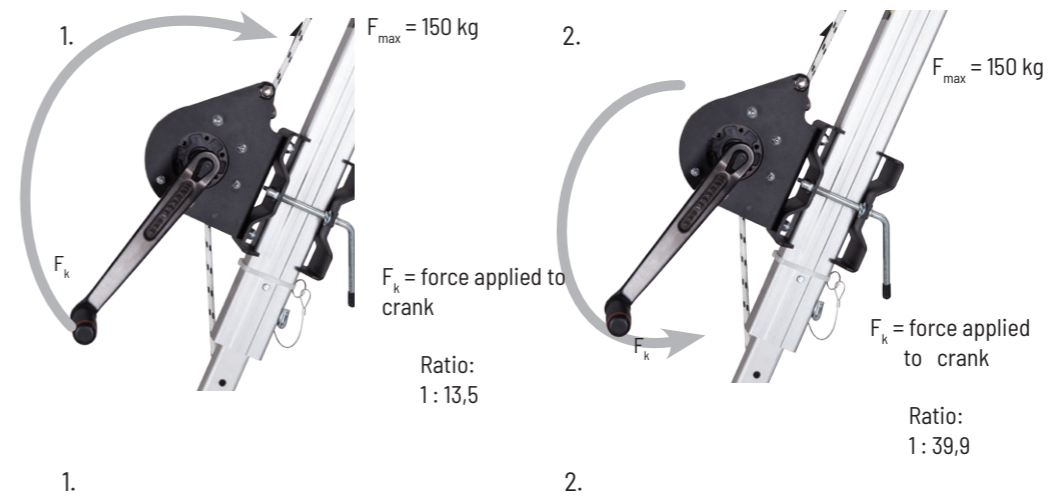
With the ratio used in the mechanism it is possible to make one turn of the drum per 2.13 turns of the device's crank in the first mode, 6.2 turns;

The crank is easily dismounted to facilitate transport;

The RUP 505 rescue device complies with EN 1496/B.

**Accessories:**

Spring-type energy absorber SDW



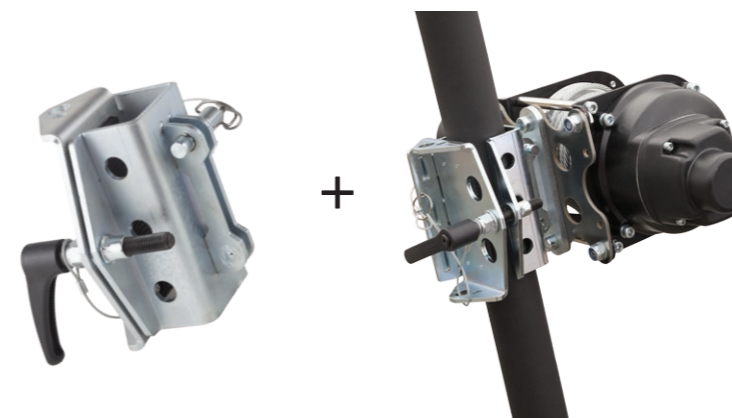
**LOADS:**

Variant 1:

At load weight (F<sub>max</sub>) of 150 kg force applied to the crank (F<sub>k</sub>) shall be 11,11 kG

Variant 2:

At load weight (F<sub>max</sub>) of 150 kg force applied to the crank (F<sub>k</sub>) shall be 3,75 kG



**KIT:**

Simple mounting of the device on the tripod leg by means of a clamp:

- 1. Utb Clamp
- 2. RUP 505-U

**CABLE LENGTH VARIANTS:**

— unlimited  
Rope sold separately

**CABLE PARAMETERS:**

∅ 10-11 mm

**OVERALL MECHANISM RATIO:**



**SPUR GEARING:**



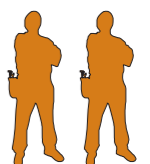
**COMPATIBLE WITH :**

TM 9 - N  
TM 15

**MAIN FEATURES:**

Lifting device weight:	8 kg
Rope length:	unlimited
Rope type:	od 10 do 11 mm
Rope diameter:	static textile rope conforms with EN 1891
Mechanism ratio 1:	1 : 2,13
Mechanism ratio 2:	1 : 6,28
Force applied to lift 150 kg kg for variant 1:	11,11 kG
Force applied to lift 150 kg kg for variant 2:	3,75 kG
Permissible work load:	150 kg
Compatible with tripod type:	TM 9- N, TM 15
Standard:	EN 1496/B

EN 1496/B



Personal lifting device for up to 150 kg



# RUP 504

## RUP 504 cable single-phase 230V electric winch

A 230V AC 1-phase electric winch equipped with a wire rope of the diameter of 6mm and the length of 30m rolled on a drum. The device is used to lift goods. Admissible working load while lifting goods (WLL): 500kg. If an additional TU415 / TU416 block is used, the working load when lifting goods (WLL) can be increased to 1000kg. The device can be used to lift and descend people and to evacuate them when an additional self-holding device of the WR / CR / CRW series is used. Admissible working load when lifting / descending people (WLL): 200kg. A 230V 1-phase alternating power supply. The kit includes a cable for connection to the mains with an EU plug. Operating speed: 7m/min (when using TU415/TU416 block - 3.5m/min). The device is equipped with a tie plate (RUP506-000-001) as well as with a UTB connector (AT017-330).



### PARAMETERS

Weight:	21 kg
WLL:	500 kg - for cargo 200 kg - for the persons
Diameter of the rope:	6 mm
Length of rope:	30 m
Type of rope:	steel
Dimensions:	490 X 170 X 180
Compatible with:	TM 6, TM 9-N, TM12, TM12-2, TM 14, TM 15



# RUP 506

## RUP 506 cable battery powered winch

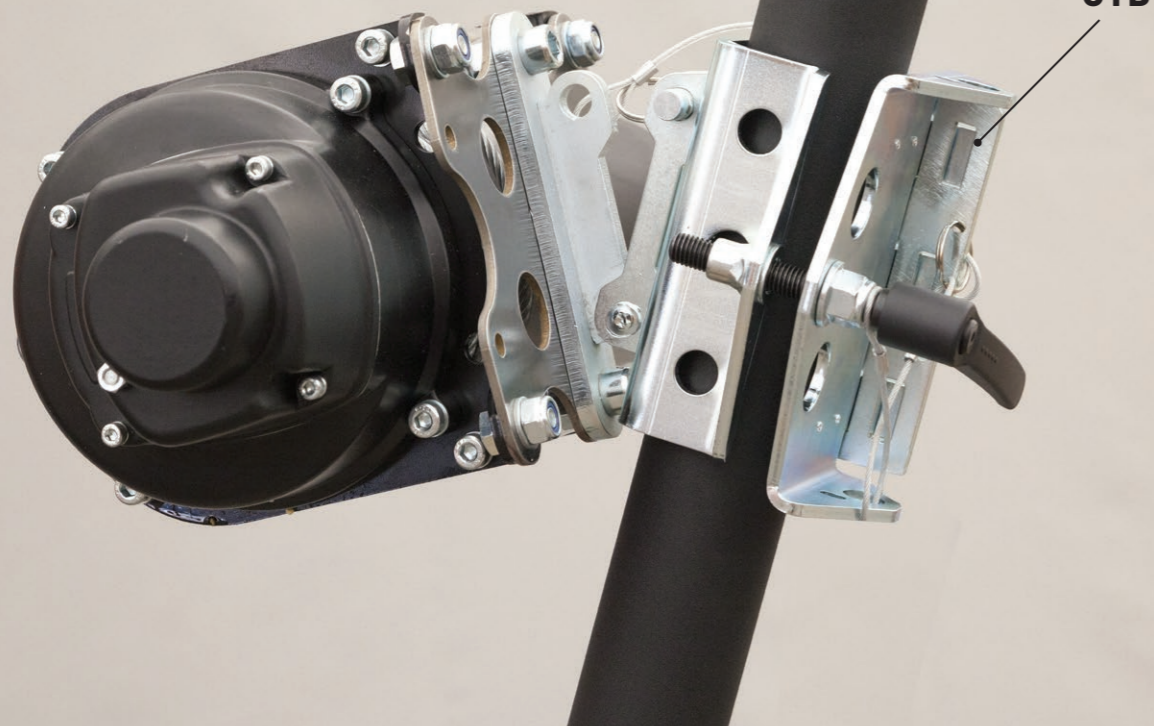
Electric battery winch equipped with a wire rope of 5mm in diameter and of the length of 15m, rolled on a drum. The device is used to lift goods. Admissible working load while lifting goods (WLL): 140kg. If an additional TU415/TU416 block is used, the working load when lifting goods (WLL) can be increased to 250kg. The device can be used to lift and descend people and to evacuate them when an additional self-holding device of the WR / CR / CRW series is used. Admissible working load when lifting/descending people (WLL): 140kg. Battery backup. The kit includes two 18V 4.0Ah batteries together with a charger. The battery life at full load equals ~ 20...25 minutes. Operating speed: 4m/min (when using TU415/TU416 block - 2m/min). The device is equipped with a tie plate (RUP506-000-001) as well as with a UTB connector (AT017-330).



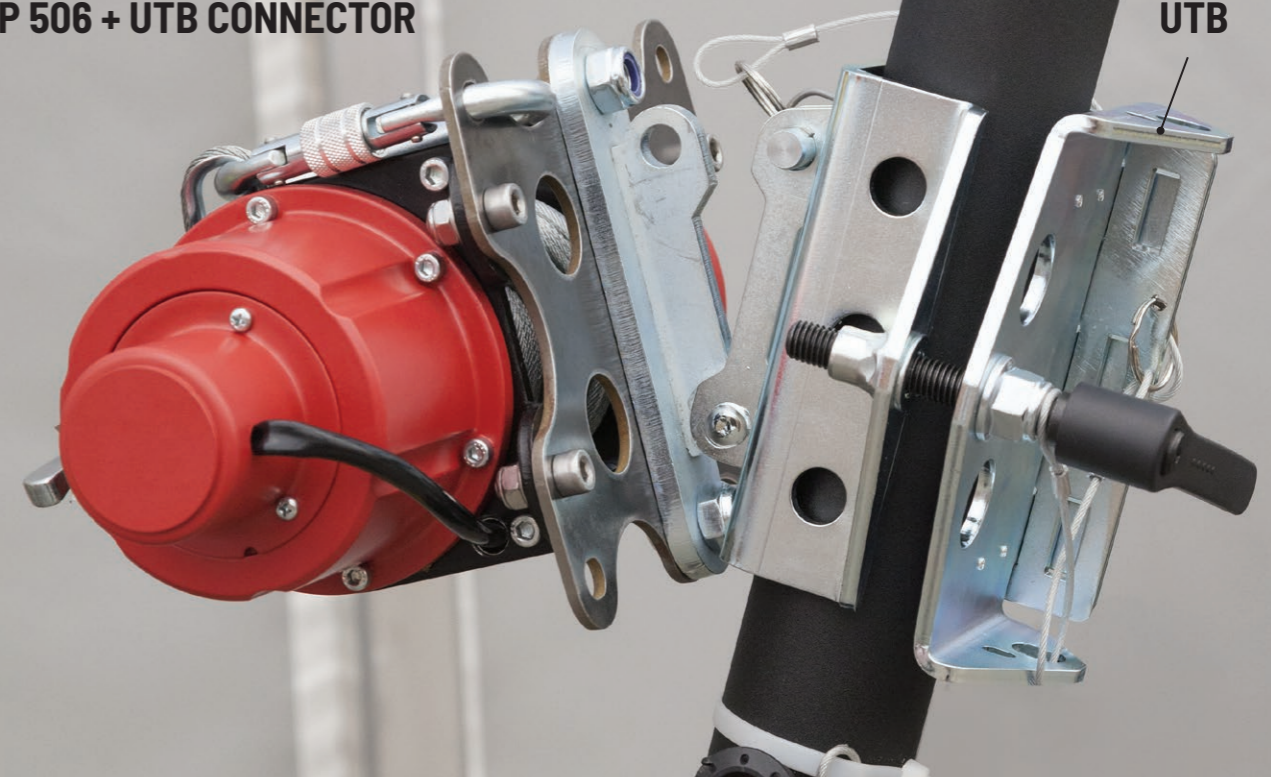
### PARAMETERS

Weight:	10 kg
WLL:	140 kg - for cargo 140 kg - for the persons
Diameter of the rope:	5 mm
Length of rope:	15 m
Type of rope:	steel
Dimensions:	288 x 122 x 144
Compatible with:	TM 1, TM 6, TM 9-N, TM12, TM12-2, TM 14, TM 15

## RUP 504 + UTB CONNECTOR



## RUP 506 + UTB CONNECTOR



# CRW 200



CRW 200 is a combination of a retractable type fall arrester and a rescue lifting device. The device is equipped with a manual winch featuring lift and descent functions. In order to install on the tripod, first mount an adequate mounting clamp;

Connector has a fall indicator; the design requires no energy absorber;

Permissible work load: 140 kg;

With the ratio used in the mechanism it is possible to make one turn of the drum per 7.4 turns of the winch's crank;

Retractable type fall arrester CRW 200 is a component of personal fall protection equipment and conforms to EN 360 and EN 1496/B.

Hook with fall indicator



$F_k$  = force applied to crank  
Ratio: 1:22

At load weight ( $F_{max}$ ) of 140 kg force applied to the crank ( $F_k$ ) shall be 6.4 kG.



Clamp for mounting retractable type fall arrester CRW 200 on the tripod leg. According to the leg thickness, either clamp UTB + CRW 200-UB. The clamp is simple to mount and is made of galvanized steel. Above is an example mounting of clamp tripod leg.

Example mounting of fall arrester CRW 200 by means of clamp CRW 200-UB on tripod leg.



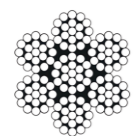
Side anchor point on tripod head can be used to attach fall arrester CRW 200 by means of connector AZ 017.

Example mounting of fall arrester CRW 200 by means of side anchor point on tripod head.

CABLE LENGTH VARIANTS:

15 m

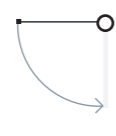
CABLE PARAMETERS:



7x19 + IWRC

ø 4,7 mm

OVERALL MECHANISM RATIO:



Variant 1  
1: 22

SPUR GEARING:



1: 8,8

COMPATIBLE WITH :

Compatible with ALL personal tripod types

MAIN FEATURES:

Winch weight:	11 kg
Cable length:	15 m
Cable diameter:	4,8 mm
Cable type:	7x19 + IWRC
Mechanism ratio:	1: 8,8
Force required for pulling load with weight of 140 kg:	6.4 kG
Permissible work load:	140 kg
Standard:	EN 1496/B

Compatible with ALL personal tripod types



EN 1496/B  
EN 360



1 person  
at max. 140 kg

# CRW 300



CRW 300 is a combination of a retractable type fall arrester and a rescue lifting device. The device is equipped with a manual winch featuring lift and descent functions. In order to install on the tripod, first mount an adequate mounting clamp;

Connector has a fall indicator; the design requires no energy absorber;

Permissible work load: 140 kg;

With the ratio used in the mechanism it is possible to make one turn of the drum per 7.4 turns of the winch's crank;

Retractable type fall arrester CRW 300 is a component of personal fall protection equipment and conforms to EN 360 and EN 1496/B.



$F_k$  = force applied to crank  
Ratio: 1:22

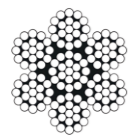
At load weight ( $F_{max}$ ) of 140 kg  
force applied to the crank ( $F_k$ )  
shall be 6.3 kG.

Hook with fall indicator

CABLE LENGTH VARIANTS:

25 m

CABLE PARAMETERS:

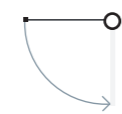


7x19 + IWRC



∅ 4,7 mm

OVERALL MECHANISM RATIO:



Variant 1  
1 : 22

SPUR GEARING:



1 : 7,4

COMPATIBLE WITH :

Compatible with ALL personal tripod types



Clamp for mounting retractable type fall arrester CRW 300 on the tripod leg. According to the leg thickness, either clamp CRW 300-UB is used. The clamp is simple to mount and is made of galvanized steel.

Example mounting of fall arrester CRW 300 by means of clamp CRW 300-UB on tripod leg.



Side anchor point on tripod head can be used to attach fall arrester CRW 300 by means of connector AZ 017.



Example mounting of fall arrester CRW 300 by means of side anchor point on tripod TM 6 head.

MAIN FEATURES:

Winch weight:	15 kg
Cable length:	25 m
Cable diameter:	4,8 mm
Cable type:	7x19 + IWRC
Mechanism ratio:	1 : 7,4
Force required for pulling load with weight of 140 kg:	6.3 kG
Permissible work load:	140 kg
Standard:	EN 1496/B

Compatible with ALL personal tripod types



EN 1496/B  
EN 360

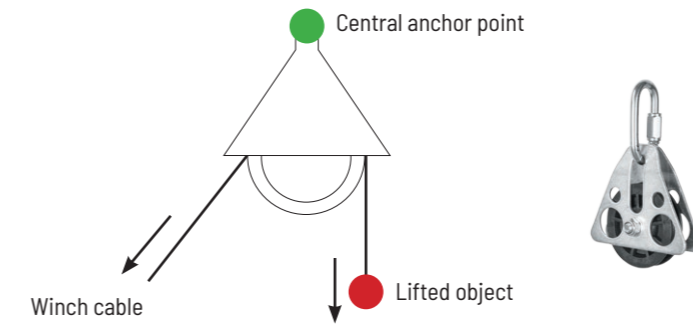


1 person  
at max. 140 kg



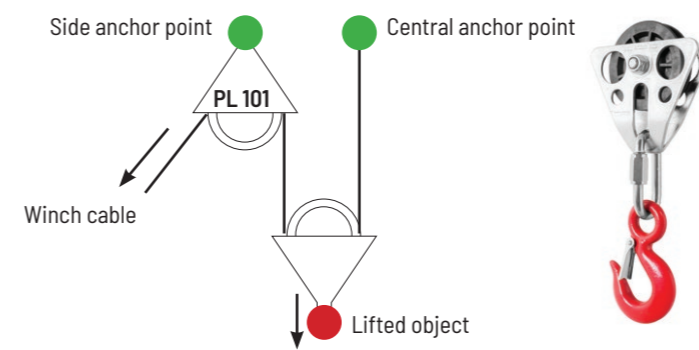
# PULLEYS

## PL 101, TU 415, TU 416



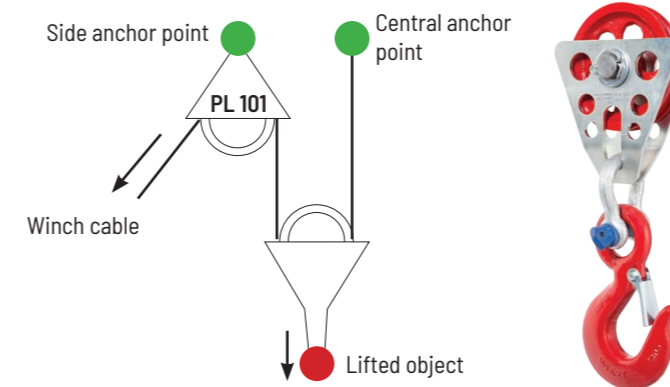
### PL 101

Basic pulley of 90 mm in diameter attached at anchor point on the tripod head. Made of galvanized steel and polyamide. Connected to anchor point by means of connector AZ 090.



### TU 415

Pulley TU 415 with steel hook is used for lifting and lowering loads with weight of up to 1000 kg. It can be used both with steel cables (of up to 6.3 mm in diameter) and textile ropes (of diameters between 8 and 12 mm). The mechanism ratio 2:1 enables reduction of the force required to lift a given load, thus allowing for lifting of as much as twice the load using a given winch. The product can be used with all winches and Protekt tripods. When used with tripods and winches with admissible load of 500 kg (TM 9 series) it is possible to increase the load capacity of the whole combination up to 1000 kg.



### TU 416

Pulley TU 416 with steel hook is used for lifting and lowering loads with weight of up to 2000 kg. It can be used both with steel cables (between 6.3 and 8.0 mm in diameter) and textile ropes (of diameters between 10,5 and 14 mm). The mechanism ratio 2:1 enables reduction of the force required to lift a given load, thus allowing for lifting of as much as twice the load using a given winch. The product can be used with all winches and Protekt tripods. When used with tripods and winches with admissible load of 1000 kg (TM 6-T, TM 12, TM 12-2, TM 15) it is possible to increase the load capacity of the whole combination up to 2000 kg.

### MAIN FEATURES:

	PL 101	TU 415	TU 416
Material:	Polyamide, galvanized steel	Polyamide, galvanized steel	Cast iron, galvanized steel
Weight:	0,45 kg	1,14 kg	2,54 kg
Pulley wheel diameter:	90 mm	90 mm	110 mm
Dimensions:	133x56x128 mm	300x130x56 mm	330x130x56 mm
Static strength:	15 kN	10 kN	20 kN
Breaking strength:	30 kN	50 kN	60 kN
Admissible weight load:	1000 kg	1000 kg	2000 kg

#### CABLE DIAMETER:

∅ max. 6.3 mm for steel cable

∅ between 8 and 12 mm for textile rope

#### WORK LOAD:

↓ Permissible work load: 10 kN

#### CABLE DIAMETER:

∅ max. 6.3 mm for steel cable

∅ between 8 and 12 mm for textile rope

#### WORK LOAD:

↓ Permissible work load: 10 kN

#### CABLE DIAMETER:

∅ between 6.3 mm and 8 mm for steel cable

∅ between 10,5 and 14 mm for textile rope

#### WORK LOAD:

↓ Permissible work load: 20 kN





**PROTEKT**<sup>®</sup>

USE IMAGINATION | PROTECT YOUR LIFE

WWW.PROTEKT.UK

**COMPANY ADDRESS - OFFICE**

Skromna 6  
93-405 Lodz  
POLAND  
Phone: +48 42 680-20-83  
Fax +48 42 680-20-93

**WAREHOUSE**

Gombrowicza 6  
93-405 Lodz  
POLAND

**REGISTER ADDRESS**

PROTEKT Grzegorz Łaskiewicz Spółka z o. o.  
ul. Starorudzka 9  
93-403 Lodz  
POLAND

KRS 0001009727  
NIP [Tax Id No.] 7292747932  
REGON [Business Id No.]: 524047958

**EXPORT SALES DEPARTMENT**

export@protekt.com.pl  
Phone: +48 42 29 29 500  
fax +48 42 680-20-93